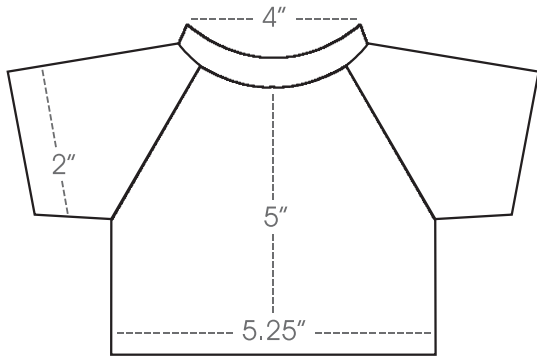
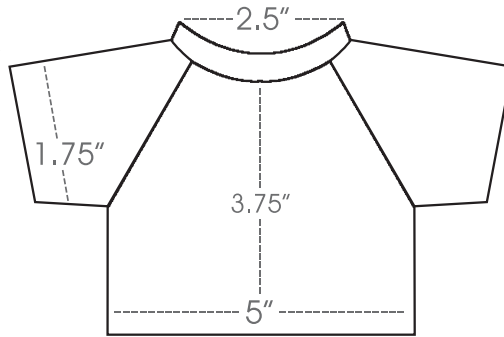




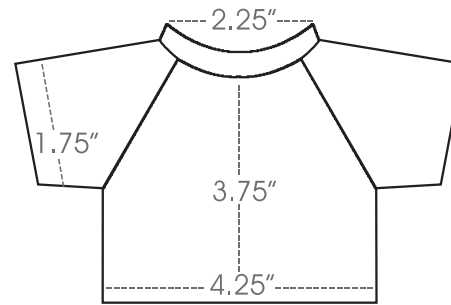
## Tees & Baseball Tees



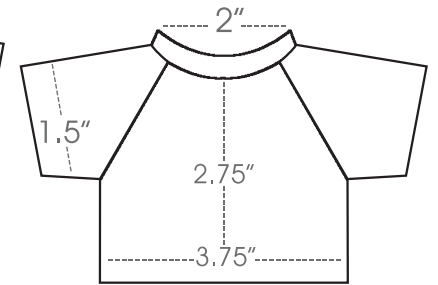
#1



#3

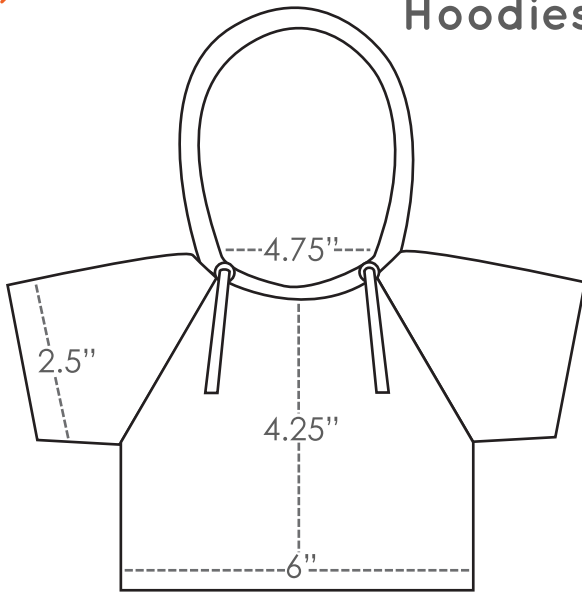


#4

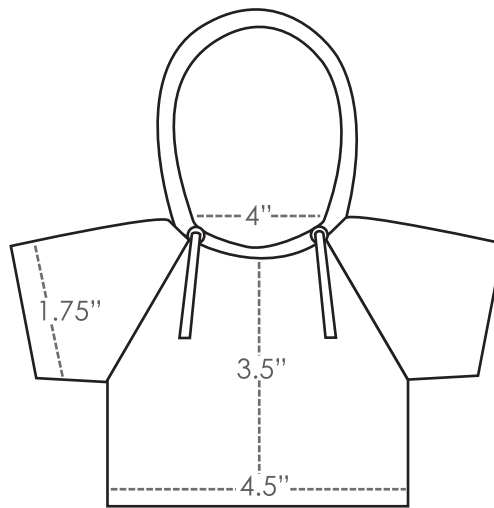


#5

## Hoodies & Baseball Hoodies

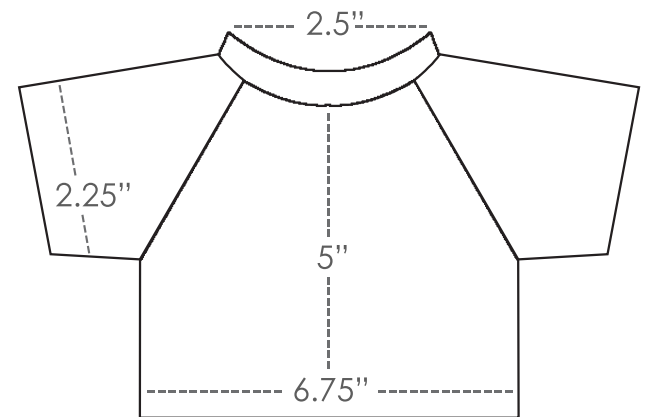


Medium



Small

## Knit Sweater



\*sizes may slightly vary

## Heat Transfer Printing: Imprint Area Sizes



Note: All imprint area dimensions are measured for the center of the front or back unless stated otherwise.  
Please inquire for alternative imprint areas.  
\*Imprints are on the front, bottom left for Grad Gowns.

### TEES

	WIDTH	HEIGHT
#1	3.0"	2.5"
#3	3.0"	2.25"
#4	2.5"	1.75"
#5	2.1"	1.75"

### BASEBALL TEES

#1	3.0"	3.0"
#3	3.0"	2.5"
#4	3.0"	1.5"
#5	2.1"	1.25"

### HOODIES

SMALL	3.0"	1.5"
SM Baseball	2.5"	1.5"
MEDIUM	4.5"	2.5"

### BANDANNAS

REGULAR	2.0"	1.25"
LARGE	4.0"	2.5"

### GRADUATION GOWNS\*

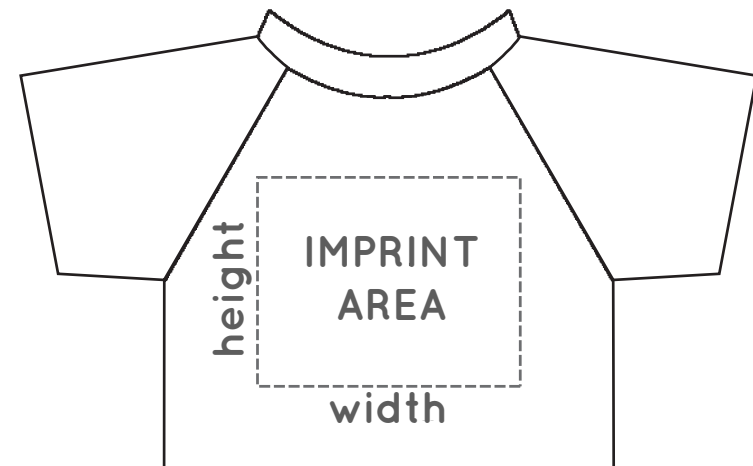
REGULAR	2.0"	1.0"
LRG BOBBY	3.0"	1.5"

### VARSITY LETTERMAN JACKET

BACK	3.5"	3.0"
CHEST	1.5"	1.25"

### CHEERLEADER TOP

FRONT	3.0"	1.25"
-------	------	-------

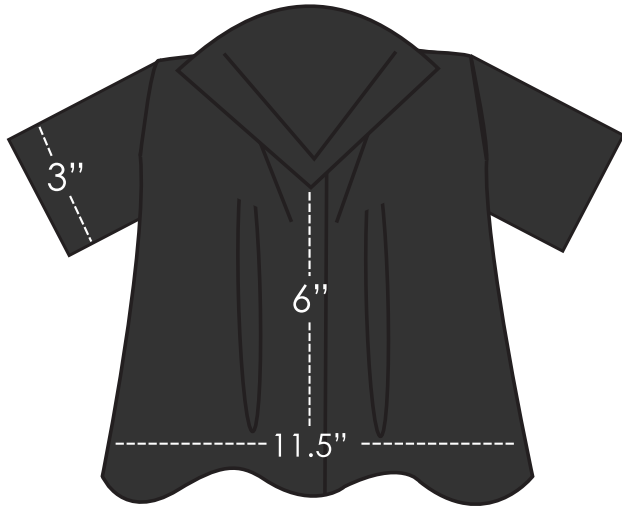


# BEARWEAR SIZE CHART

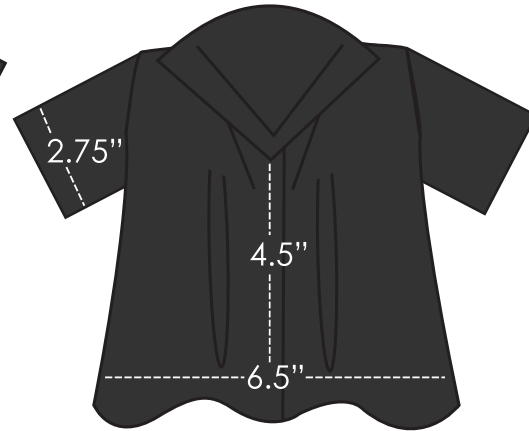


[www.whatzupwiththat.com](http://www.whatzupwiththat.com)

## Graduation Gowns

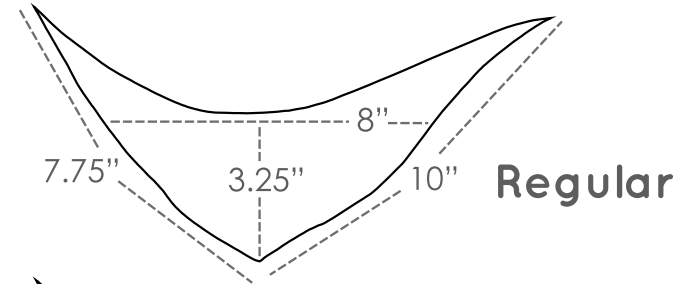


Large Bobby

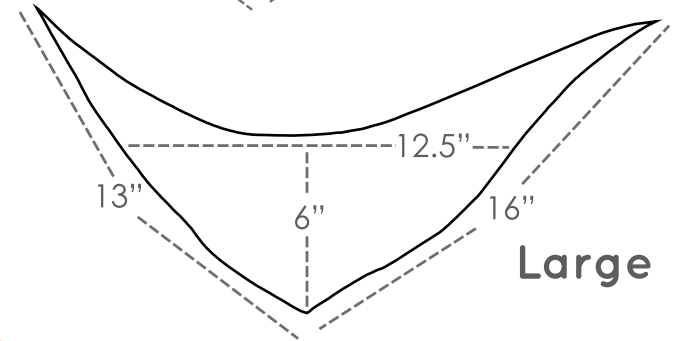


Regular

## Bandannas

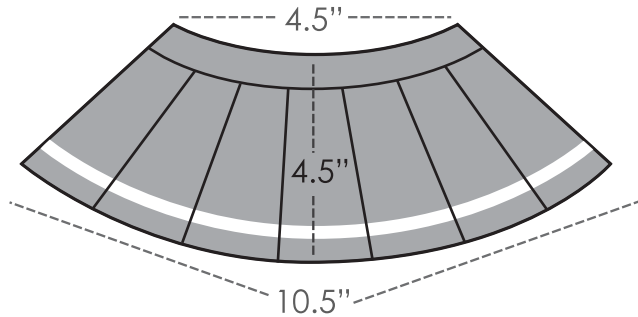
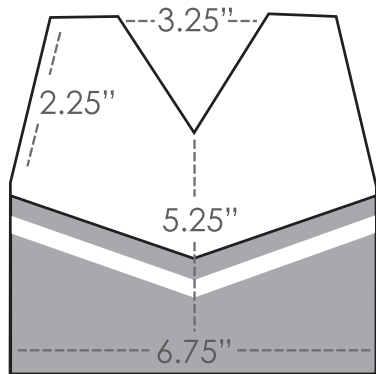


Regular

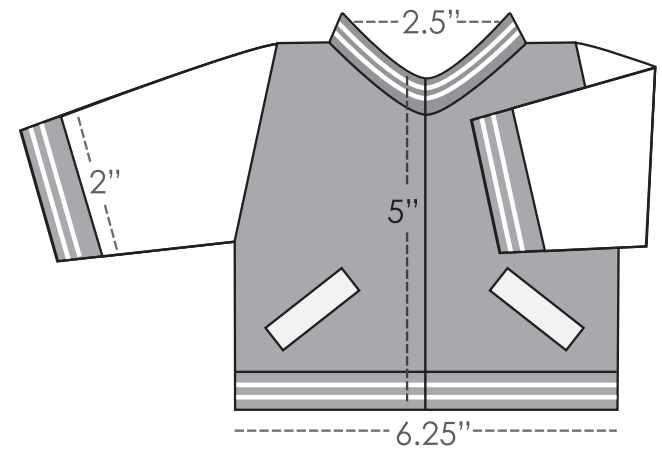


Large

## Cheerleader Outfit



## Varsity Letterman Jacket



\*sizes may slightly vary



whatzupwiththat!  
bearwear®

## BearWear Apparel Imprint Areas

Apparel	Width	Height
<b>90001 SOLID TEE (chest)</b>		
#1	4.0"	3.0"
#3	3.0"	2.25"
#4	3.0"	2.0"
#5	2.1"	1.75"
<b>90011 BASEBALL TEE (chest)</b>		
#1	3.0"	3.0"
#3	3.0"	2.5"
#4	2.5"	1.75"
#5	2.0"	1.5"
<b>90002 SOLID HOODY (chest)</b>		
Small	3.25"	2.0"
Medium	4.5"	2.5"
Large	5.0"	2.5"
<b>90012 BASEBALL HOODY (chest)</b>		
Small	2.5"	2.0"
Medium	4.5"	3.0"
<b>90021 BANDANNA (center)</b>		
Mini	1.75"	0.75"
Medium / Regular	2.25"	1.25"
Large	4.0"	3.0"
<b>GRAD GOWN (bottom right corner)</b>		
Jumbo Bobby	3.0"	1.5"
Bobby	2.0"	1.25"
Sock Monkey, Bucky, 98745	2.0"	1.0"
<b>DOCTOR SCRUBS (chest)</b>		
Bobby	3.25"	2.0"
Brady	3.0"	1.25"
<b>19" SOCK MONKEY (scarf)</b>	4.0"	0.75"
<b>13" SOCK MONKEY (scarf)</b>	2.5"	0.6"
<b>VARSITY JACKET</b>		
Right Chest	1.5"	1.5"
Back	3.5"	3.25"
<b>CHEERLEADER (chest)</b>	3.0"	1.25"
<b>16102 PILOT BEAR (scarf)</b>	0.8"	2.25"
<b>16101 ENGINEER BEAR</b>		
Overalls Window	2.0"	1.5"
Red Scarf	2.0"	1.0"