

**REFRIGERATOR MANUFACTURER**  
**Turbo air**  
 more durable, efficient, beautiful

4184 E. Conant St.  
 Long Beach, CA 90808  
 Tel. 310-900-1000  
 Fax. 310-900-1077  
[www.turboairinc.com](http://www.turboairinc.com)

Project :	
Model # :	
Item # :	Qty :
Available W/H :	
Approval :	

## Chef Bases

*Chef Bases  
 Super Deluxe Series*

### Patented Self-Cleaning Condenser



This product is equipped with a fine mesh filter to the front of the condenser to catch dust, and a rotating brush that moves up and down daily to remove excess buildup outward and away.

**Model : TCBE-96SDR-N**



- Each drawer accommodates up to 4" deep sixth (1/6) size pans (drawer pans not included)

## ≡ FEATURES & BENEFITS ≡

- **Self-Cleaning Condenser**  
 The accumulation of dust in the condenser can cause the failure or breakdown of refrigerators. Refrigerators run normally until they reach a certain level of accumulation. At some point, when they are over the limit, their performance drops quickly resulting in damage to, or disposal of the stored products inside. The Self-Cleaning Condenser device keeps the condenser clean and prevents system failure by automatically brushing daily.
- **Hydrocarbon refrigerants (R-290)**  
 With innovative and eco-friendly technology, Turbo Air brings you hydrocarbon refrigerators designed to meet the new standards of the EPA and DOE in 2017. Hydrocarbon refrigerants do not deplete the ozone layer and have very low contribution to global warming (ODP-0, GWP-3).
- **Strong body and durable construction**  
 Built with heavy duty 16 ga. stainless steel, Chef Base top is manufactured of one-piece reinforced stainless steel to ensure durability.
- **Digital temperature display on front panel**
- **Top is insulated to eliminate heat transfer to the interior of cabinet**
- **Flat Top Countertops**  
 TCBE-36SDR-N/48/52SDR-N supports up to 788 pounds of equipment. TCBE-72/82SDR-N supports up to 1,192 pounds of equipment. TCBE-96SDR-N supports up to 1,435 pounds of equipment.
- **Durable stainless steel drawers**
- **Side mount compressor unit**  
 With compressors positioned on the side of the unit, our refrigerators can now be serviced without being moved. Our innovative, front breathing feature also allows this model to be highly efficient in narrow spaces.
- **High-density polyurethane insulation**  
 The entire cabinet structure and solid doors are foamed-in-place using high density, CFC free polyurethane insulation.
- **Refrigerator holds 33°F ~ 38°F for the best in food preservation**



Model	Drawers	CU./FT.	Countertop Weight Capacity (lbs.)	HP	AMPS	Crated Weight (lbs.)	L x D x H* (inches)
<b>TCBE-96SDR-N</b>	<b>4</b>	<b>18.6</b>	<b>1435</b>	<b>1/3</b>	<b>6.1</b>	<b>517</b>	<b>963/8 x 32 x 201/2</b>

ELECTRICAL DATA		TCBE-96SDR-N
Voltage		115/60/1
Plug Type		NEMA 5-15P
Full Load Amperes		6.1
Compressor HP		1/3
Cord Length (ft.)		9
Refrigerant		R-290
DIMENSIONAL DATA		
Ext. Length Overall (in.)		96 <sup>3</sup> / <sub>8</sub> (2449mm)
Ext. Depth Overall (in.)		32 (813mm)
Ext. Height Overall (in.)*		20 <sup>1</sup> / <sub>2</sub> (521mm)
# of Drawers		4
# of Pans		72
Net Capacity (cu. ft.)		18.6
Net Weight (lbs.)		484
Gross Weight (lbs.)		517

Design and specifications subject to change without notice.  
Actual shipping weight may differ due to extra packing materials for product protection.  
\* Height does not include 6" for caster height.

■ **WARRANTY : 3 Year Parts and Labor Warranty  
Additional 2 Year Warranty on Compressor**

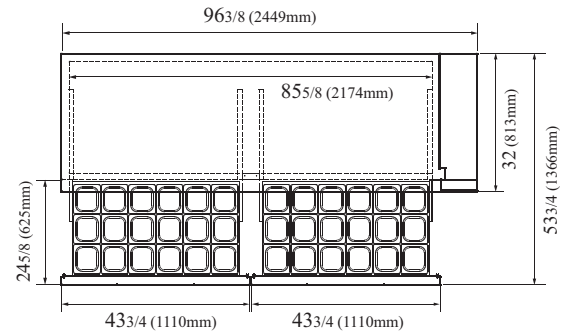
- *Anti-corrosion coated evaporator*
- *Self-contained system*
- *5" dia. swivel casters standard*
- *Legs available (optional)*

■ **OPTIONAL ACCESSORIES :**

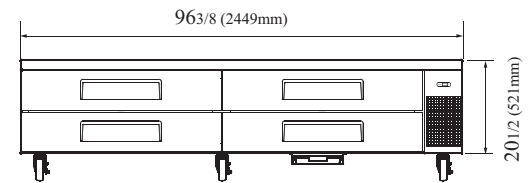
- 6" stainless steel leg: 30221M0600

## PLAN VIEW

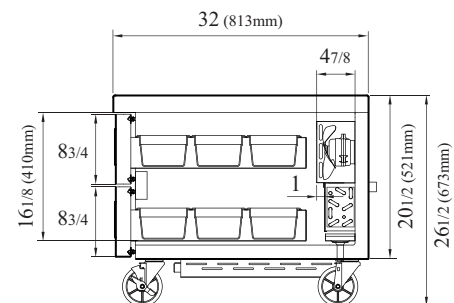
(unit : inch)



PLAN VIEW



FRONT VIEW



SIDE VIEW

Ver.20180112



- Turbo Air : 800-627-0032
- GK : 800-500-3519
- Warranty : 800-381-7770
- AC : 888-900-1002

