

# 24" DEEP GLASS DOOR BACK BAR & DIRECT DRAW KEG REFRIGERATORS

**EBD – Series** • EBDS2-BBG-24 • EBD2-BBG-24 • EBD3-BBG-24



▲ **EBDS2-BBG-24**



▲ **EBD2-BBG-24**



▲ **EBD3-BBG-24**

## Cabinet Construction

Heavy duty stainless steel countertop, with textured and laminated black vinyl exterior. Galvanized steel interior wall and high quality stainless steel floor. 1 3/4" thick high density foamed-in-place polyurethane insulation. Built-in caster thread receptacles for all units.

## Refrigeration System

- Side mounted condensing unit
- Oversized condenser and evaporator coils quickly achieve and maintain desired temperature
- Forced-air cooling with oversized evaporator fan motors provide balanced airflow throughout cabinet to ensure faster temperature drop
- Removable side panel and slide-out condensing unit for convenient repair and maintenance
- Environmentally friendly CFC free R-134A refrigerant
- Air defrost controlled by electrical timer
- Copper tube and aluminum fin evaporator with anti-corrosive coating
- Energy efficient condensate drain pan assembly heated by high side copper tube
- Pre-wired and ready to plug, 115V/60Hz/1Ph, NEMA 5-15P

## Lighting

- Shielded vertical LED interior lighting with on/off switch for energy efficiency, minimal heat generation and enhanced illumination

## Doors

- Textured and laminated black exterior with galvanized steel interior for solid doors, and black PVC frames with low emissivity double pane glass system for glass doors
- 1 3/4" thick high density foamed-in-place polyurethane insulation
- One piece snap-in magnetic door gaskets for easy replacement
- Heavy duty recessed and die-cast door handles
- Door locks

## Draft Arms

- NSF approved 3" diameter insulated stainless steel draft arm with air distributor

## Shelving

- Two epoxy coated wire shelves
- Stainless steel pilasters and shelf clips

## Temperature Control

- Factory preset temperature, 35°F
- Temperature setting range from 32°F to 42°F
- Easy to set analog thermostat

## Options

- 2 1/2" and 4" diameter casters (3 1/2" and 5" overall height)
- Dual faucet towers



**5 YEAR** Compressor  
**3 YEAR** Parts & Labor

## Dimensions

### Air Flow

Air Flow

Front view of cabinet interior demonstrates air circulation from left to right.

### Side View

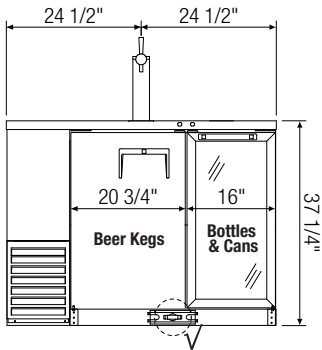
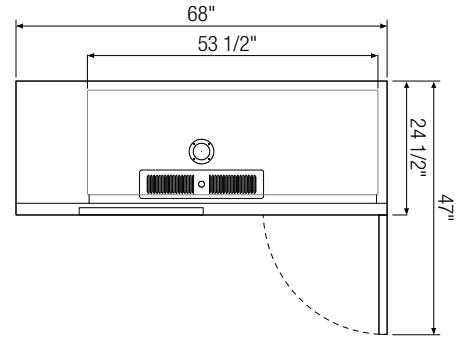
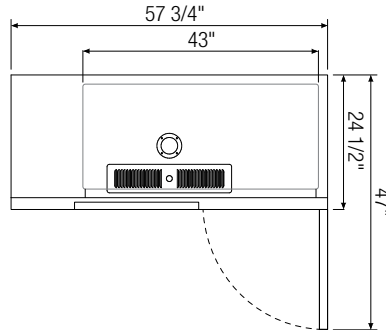
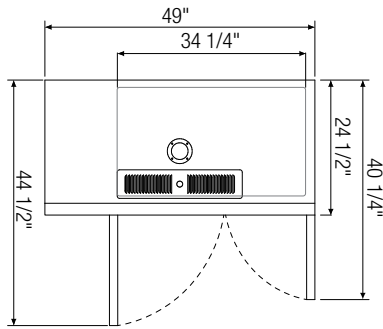
FRONT      BACK

### √ : Drain

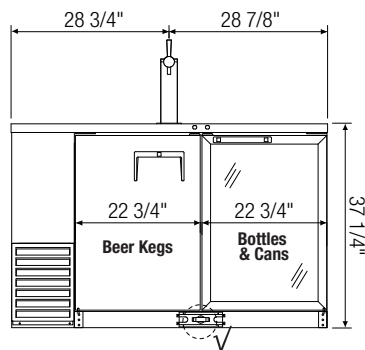
T-Shaped PVC Drain Fittings w/ Movable Plug.

It is required to use a hose attachment w/ 3/4" inner diameter.

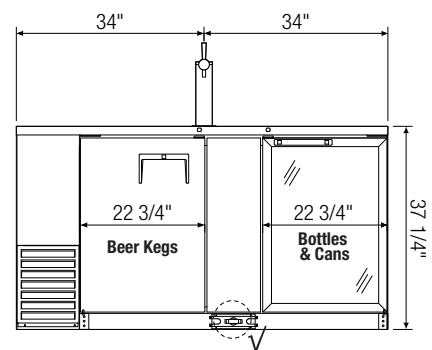
Equipped with 9 ft long NEMA 5-15P plug.



▲ **EBDS2-BBG-24**



▲ **EBD2-BBG-24**



▲ **EBD3-BBG-24**

Model	Ref/ Frz/ Dual	# of Doors	Capacity (Cu.Ft.)	Capacity & Size of Barrels	HP	Refrigerant	# of Shelves	Capacity		Power (V-Hz-Ph)	Amps	Crated Weight (LBS)	Exterior Dimensions (Inches)		
								12 oz. Cans	12 oz. Bottles				L	D	H
<b>EBDS2-BBG-24</b>	Ref	1 (SD) 1 (GD)	13.95	(1) 1/2	1/4+	R-134A	2	175	126	115-60-1	4.50	263	49	24 1/2	37 1/4
<b>EBD2-BBG-24</b>	Ref	1 (SD) 1 (GD)	16.86	(1) 1/2	1/4+	R-134A	2	245	168	115-60-1	4.50	287	57 3/4	24 1/2	37 1/4
<b>EBD3-BBG-24</b>	Ref	1 (SD) 1 (GD)	20.41	(1) 1/2 (1) 1/4-Slim	1/4+	R-134A	2	315	210	115-60-1	4.50	325	68	24 1/2	37 1/4

Ref = Refrigerator | (SD) = Solid Door | (GD) = Glass Door

Specifications subject to change without notice.

Product dimensions are for general purposes and not absolute value. Product capacity(▶) is calculated based on standard industry figures. Slight variations may exist. If dimensions and capacity are critical, please contact Everest Refrigeration.



Please visit our website for updated Energy Efficiency information.