

24" DEEP BACK BAR COOLERS



EBB – Series

- EBB48-24 • EBB59-24
- EBB69-24 • EBB90-24



EBB48-24



EBB59-24



EBB69-24



EBB90-24

Cabinet Construction

Heavy duty stainless steel countertop, with textured and laminated black vinyl exterior. Galvanized steel interior wall, and high quality stainless steel floor. 1 3/4" thick high density foamed-in-place polyurethane insulation. Built-in caster thread receptacles for all units.

Refrigeration System

- Side mounted condensing unit
- Oversized condenser and evaporator coils quickly achieve and maintain desired temperature
- Forced-air cooling with oversized evaporator fan motors providing balanced airflow throughout cabinet to ensure faster temperature drop
- Removable side panel and slide-out condensing unit for convenient repair and maintenance
- Environmentally friendly CFC free R-134A refrigerant
- Air defrost controlled by electrical timer
- Copper tube and aluminum fin evaporator with anti-corrosive coating
- Energy efficient condensate drain pan assembly heated by high side copper tube
- Pre-wired and ready to plug, 115V/60Hz/1Ph, NEMA 5-15P

Doors

- Textured and laminated black exterior with galvanized steel interior
- 1 3/4" thick high density foamed-in-place polyurethane insulation
- One piece snap-in magnetic door gaskets for easy replacement
- Heavy duty recessed door handles for a flat surface
- Door locks

Lighting

- Shielded vertical LED interior lighting with on/off switch for energy saving, less heat generation and enhanced illumination (available from 2015 models)

Shelving

- Two epoxy coated wire shelves per section
- Stainless steel pilasters and shelf clips

Temperature Control

- Factory preset temperature, 35°F
- Temperature setting range from 32°F to 42°F
- Easy to set analog thermostat

Options

- 2 1/2" and 4" diameter casters (3 1/2" and 5" overall height)

• Project / Customer _____

• Item No. _____

• Model No. _____

Warranty

5 Year — Compressor Warranty
 3 Year — Parts & Labor Warranty

Applicable to units purchased after July 1, 2014.

Contact

201 W. Artesia Blvd, Compton, CA 90220
 T. (310) 323-6586, (800) 444-6285
 F. (310) 323-7524, (310) 761-1127

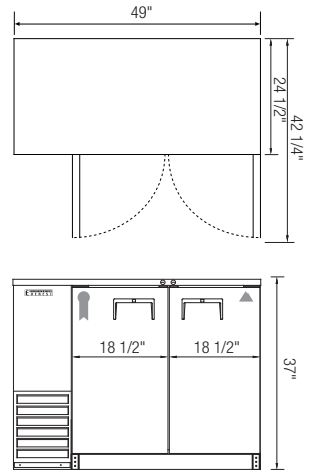
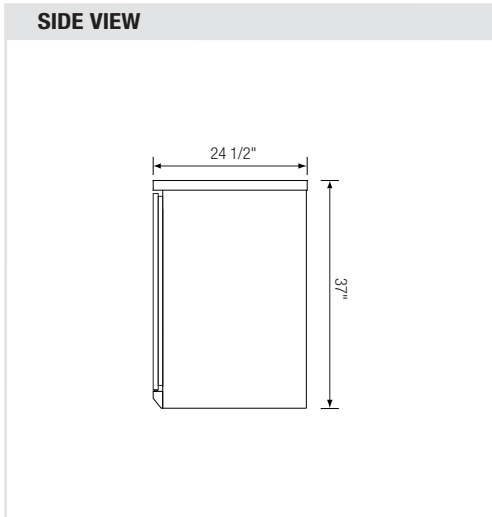
24" DEEP BACK BAR COOLERS



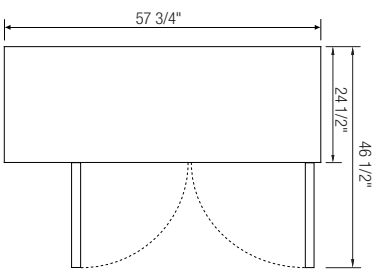
EBB – Series

- EBB48-24 • EBB59-24
- EBB69-24 • EBB90-24

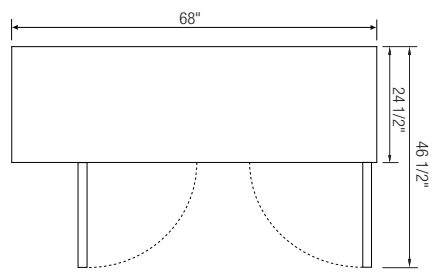
Dimensions



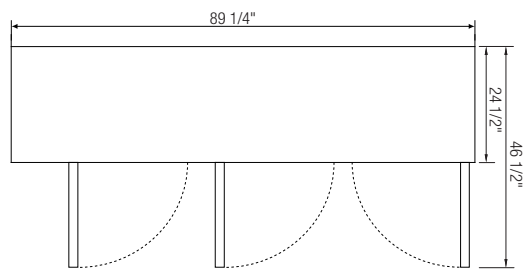
▲ EBB48-24



▲ EBB59-24



▲ EBB69-24



▲ EBB90-24

Model	Ref/ Frz/ Dual	# of Doors	Capacity (Cu.Ft.)	HP	Refrigerant	# of Shelves	Capacity		Power (V-Hz-Ph)	Amps	Crated Weight (LBS)	Exterior Dimensions (Inches)			Ref = Refrigerator Frz = Freezer Dual = Ref & Frz Combo
							12 oz. Cans	12 oz. Bottles				L	D	H	
EBB48-24	Ref	2	13.95	1/4	R-134A	4	420	294	115-60-1	4.20	253	49	24 1/2	37	
EBB59-24	Ref	2	16.86	1/4	R-134A	4	560	357	115-60-1	4.20	280	57 3/4	24 1/2	37	
EBB69-24	Ref	2	20.41	1/4	R-134A	4	700	441	115-60-1	4.20	307	68	24 1/2	37	
EBB90-24	Ref	3	27.76	1/3	R-134A	6	980	609	115-60-1	4.50	381	89 1/4	24 1/2	37	

Disclaimer: Product dimensions are for general purposes and not absolute value. Slight variations may exist. If dimensions are critical, please contact Everest.