

REFRIGERATOR MANUFACTURER
Turbo air
 more durable, efficient, beautiful

4184 E. Conant St.
 Long Beach, CA 90808
 Tel. 310-900-1000
 Fax. 310-900-1077
www.turboairinc.com

Project :
 Model # :
 Item # : Qty :
 Available W/H :
 Approval :

Back Bars

*Underbar Equipment
 Super Deluxe Series*

Patented Self-Cleaning Condenser



This product is equipped with a fine mesh filter to the front of the condenser to catch dust, and a rotating brush that moves up and down daily to remove excess buildup outward and away.

**Model : TBB-2SG-N
 TBB-2SB-N6**



TBB-2SG-N



TBB-2SB-N6

≡ FEATURES & BENEFITS ≡

■ Maintenance-free, Self-Cleaning Condenser (patented) **Only at Turbo Air**

The accumulation of dust in the condenser causes the failure or breakdown of refrigerators. Refrigerators run normally until they reach certain level of accumulation. At some point, when they are over the limit, their performance drops quickly resulting in damage to, or disposal of the stored products in refrigerators. The Self-Cleaning Condenser device keeps the condenser clean and prevents system failure by automatically brushing daily.

■ Hydrocarbon Refrigerants (R-290 / R-600a)

With innovative and eco-friendly technology, Turbo Air brings you hydrocarbon refrigerators designed to meet the new standards of EPA and DOE in 2017. Hydrocarbon refrigerants do not deplete the ozone layer and have very low contribution to the global warming (ODP-0, GWP-3).

■ Forced air cooling system

Fast cooling and balanced temperature throughout the cabinet.

■ Stainless steel countertop and interior

The exterior of cabinet is constructed with heavy gauge reinforced stainless steel countertop and wear-resistant black vinyl coated galvanized steel. Interior is painted galvanized steel with reinforced stainless steel floor. Turbo Air Back Bar model guarantees utmost in cleanliness and long product life. It also can add a touch of style to the most refined setting.

■ Ergonomically designed doors

Customers' fatigue fades away with easy grip handles and doors that open effortlessly. These features along with self-closing doors make this the ultimate choice in customer convenience.

■ LED lighting interior

■ Double pane glass doors with Low-E glass (SG Models)

■ High-density polyurethane insulation

The entire cabinet structure is foamed-in-place using high density, CFC free polyurethane insulation.

■ Adjustable, heavy duty, PE (polyethylene) coated wire shelves

■ Side mount compressor unit

■ Refrigerator holds 33°F ~ 38°F for the best in beverage preservation

NATURAL Refrigerant

SPEC
 ISO 9001:2008

ETL
 Intertek


ETL
 Intertek

3 YEAR WARRANTY

Compressor 5 YEAR WARRANTY
 (U.S.A. only)

Model	Swing Door	CU./FT.	1/2 Barrels	#of Shelves	HP	AMPS	Crated Weight (lbs.)	L x D x H† (inches)
TBB-2SG-N	2	19	2	6	1/3	2.8	344	58 3/4 x 27 1/4 x 37 1/8
TBB-2SB-N6	2	19	2	6	1/4	1.7	332	58 3/4 x 27 1/4 x 37 1/8

Model : TBB-2SG-N, TBB-2SB-N6

ELECTRICAL DATA		
Voltage	115/60/1	
Plug Type	Ⓜ NEMA 5-15P	
Full Load Amperes	2.8 (SG) / 1.7 (SB)	
Compressor HP	1/3 (SG) / 1/4 (SB)	
Refrigerant	R-290 (SG) / R-600a (SB)	
Cord Length (ft.)	9	
Lamp (W)	12.5	
DIMENSIONAL DATA		
Capacity	1/2 Barrels	2
	Cubic Feet	19
Ext. Length Overall (in.)	58 ³ / ₄ (1492mm)	
Ext. Depth Overall (in.)*	27 ¹ / ₄ (692mm)	
Ext. Height Overall (in.)†	37 ¹ / ₈ (945mm)	
Net Weight (lbs.)	276(SG) / 286(SB)	
Gross Weight (lbs.)	344(SG) / 332(SB)	
# of Swing Door	2	
# of Shelves (# of Sub Shelves)	4 (2)	
Shelf size (L x D) (in.)	(R)20 x 19 ³ / ₈ , (L)24 ³ / ₈ x 19 ³ / ₈	
# of Casters	 6EA	

Design and specifications subject to change without notice.
Actual shipping weight may differ due to extra packing materials for product protection.
* Depth does not include 1" for door handle (SG Models).
Depth does not include 2" for rear spacers.
† Height does not include 5" for caster height.

■ WARRANTY : 3 Year Parts and Labor Warranty Additional 2 Year Warranty on Compressor

- Self-contained system
- Door locks standard (SB model only)
- 4" dia. swivel casters standard
- 2" dia. casters available (optional)
- 6" height adjustable legs available (optional)

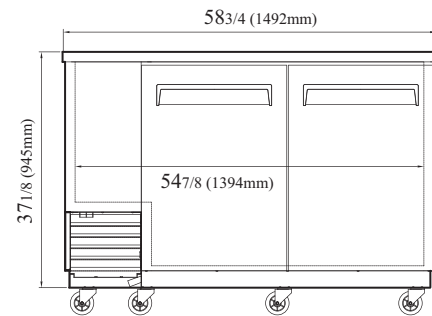
■ OPTIONAL ACCESSORIES :

- 2" caster for underbar series, 1/2" diameter: P0165B0100 (non-brake), P0165B0110 (w/ brake)
- 5" caster, 1/2" diameter & 13 TPI: M726500100 (non-brake), M726500200 (w/ brake)
- 6" adjustable stainless steel leg: P0121P0100
- Additional PE coated wire shelf: 30278D1000 (Left), 30278D0900 (Right)

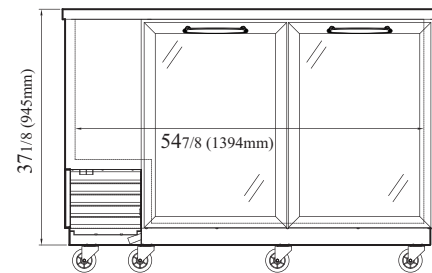
Ver.201704

PLAN VIEW

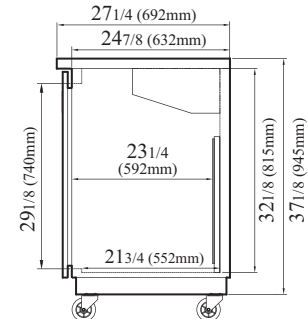
(unit : inch)



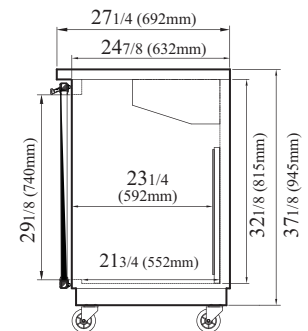
TBB-2SB-N6 FRONT VIEW



TBB-2SG-N FRONT VIEW



TBB-2SB-N6 SIDE VIEW



TBB-2SG-N SIDE VIEW



- Turbo Air : 800-627-0032
- GK : 800-500-3519
- Warranty : 800-381-7770
- AC : 888-900-1002

