

REFRIGERATOR MANUFACTURER
Turbo air
 more durable, efficient, beautiful

4184 E. Conant St.
 Long Beach, CA 90808
 Tel. 310-900-1000
 Fax. 310-900-1077
www.turboairinc.com

Project :	
Model # :	
Item # :	Qty :
Available W/H :	
Approval :	

Buffet Display Table

Food Prep Tables
 J Series

Model : JBT-48



* Sneeze guard sold separately

≡ FEATURES & BENEFITS ≡

- Hot gas condensate system** Only Turbo Air models
 Through Turbo Air's creative innovation, the condensate system surfaces have been specially treated to resist corrosion. This not only increases efficiency without the risk of refrigerant leakage from corrosion, but also prevents the overflow of condensate water.
- Side mount compressor unit**
 By positioning the compressor on the side of the unit, refrigerators can now be serviced without being moved. Our innovative, front breathing feature also allows this model to provide high efficiency in narrow spaces.
- Efficient refrigeration system**
 Turbo Air J series refrigerators are designed with oversized and balanced (CFC Free R-134A) refrigeration systems. These include efficient evaporators and condensers for faster cooling and greater efficiency.
- Exterior & interior of the cabinet**
 The Turbo Air J series boasts a stainless steel exterior (galvanized steel back and bottom). Interior is stainless steel floor with AL sides, back and AL door liners. It guarantees the utmost in cleanliness and long product life. It can add a touch of style to the most refined setting.
- High-density polyurethane insulation**
 The entire cabinet structure and solid doors are foamed-in-place using high density, CFC free polyurethane insulation.
- Ergonomically designed doors**
 Customers' fatigue fades away with easy grip handles and doors that open effortlessly. These features along with self-closing doors make this the ultimate choice in customer convenience.
- Magnetic door gaskets**
 Magnetic door gaskets are of one piece construction, removable without tools for ease of cleaning and replacement.
- Adjustable, heavy duty, PE (polyethylene) coated wire shelves**
- Refrigerator holds 33°F ~ 39°F for the best in food preservation**



Model	Swing Door	CU./FT.	#of Shelves	#of Pans (1/3)	HP	AMPS	Crated Weight (lbs.)	L x D x H* (inches)
JBT-48	2	11	2	9	1/4	6.6	200	47 1/4 x 27 1/2 x 28 3/4

Model : JBT-48

ELECTRICAL DATA	
Voltage	115/60/1
Plug Type	Ⓜ NEMA 5-15P
Full Load Amperes	6.6
Compressor HP	1/4
Cord Length (ft.)	9.2
Refrigerant	R-134A
DIMENSIONAL DATA	
Ext. Length Overall (in.)	47 1/4 (1200mm)
Ext. Depth Overall (in.)	27 1/2 (698mm)
Ext. Height Overall (in.)*	28 3/4 (730mm)
# of Doors	2
# of Shelves	2
# of Pans	9
Net Capacity (cu. ft.)	11
Net Weight (lbs.)	179
Gross Weight (lbs.)	200
Shelf Size (in.)	15 3/4 x 17 3/4

Design and specifications subject to change without notice.

Actual shipping weight may differ due to extra packing materials for product protection.

* Height does not include 5" for caster height.

■ **WARRANTY : 2 Year Parts and Labor Warranty**
Additional 3 Year Warranty on Compressor

- **Self-contained system**
- **Standard 4" dia. swivel casters with locks on the front set**
- **1/3 size condiment pans included**
- **2.5" dia. casters available (optional)**
- **Legs available (optional)**
- **Sneeze guard available (optional)**
- **Tray slide available (optional)**
- **Clear pan cover available (optional)**

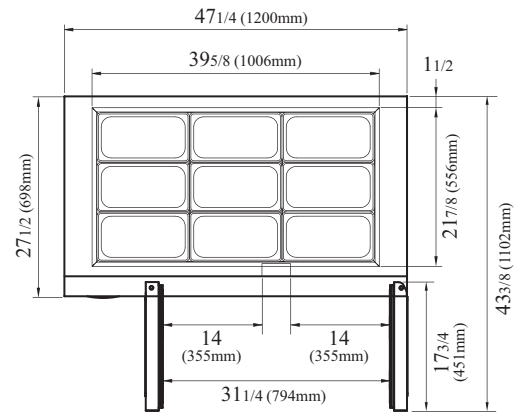
■ **OPTIONAL ACCESSORIES :**

- 2.5" caster, 1/2" diameter & 13 TPI: 30265H0100 (non-brake), 30265H0200 (w/ brake)
- 5" caster, 1/2" diameter & 13 TPI: M726500100 (non-brake), M726500200 (w/ brake)
- 6" ABS plastic leg: 30221M0200
- 6" stainless steel leg: 30221M0600
- Additional PE coated wire shelf: BR29000102
- Sneeze guard: SNZ-48
- Tray slide: TS-48
- Clear pan cover: PC-48J

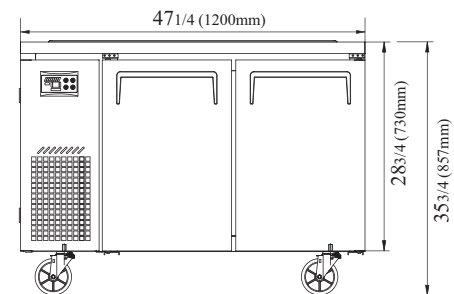
- **Door lock: extra lead time will apply, please call factory for more details to order**

PLAN VIEW

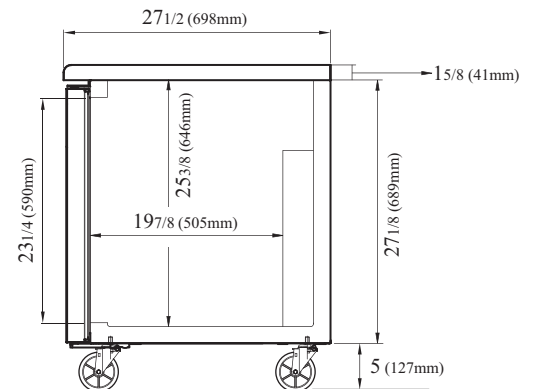
(unit : inch)



PLAN VIEW



FRONT VIEW



SIDE VIEW

Ver.201601



- Turbo Air : 800-627-0032
- GK : 800-500-3519
- Warranty : 800-381-7770
- AC : 888-900-1002