

**REFRIGERATOR MANUFACTURER**  
**Turbo air**  
 more durable, efficient, beautiful

4184 E. Conant St.  
 Long Beach, CA 90808  
 Tel. 310-900-1000  
 Fax. 310-900-1077  
[www.turboairinc.com](http://www.turboairinc.com)

|                 |       |
|-----------------|-------|
| Project :       |       |
| Model # :       |       |
| Item # :        | Qty : |
| Available W/H : |       |
| Approval :      |       |

## Worktop Refrigerator

Worktops  
 Super Deluxe Series

**Model : TWR-72SD**



**Self-Cleaning  
 Condenser**



**NO MAINTENANCE REQUIRED**

### ≡ FEATURES & BENEFITS ≡

- Self-cleaning condenser device** *Only at Turbo Air*  
 The accumulation of dust in the condenser causes the failure or breakdown of refrigerators. Refrigerators run normally until they reach a certain level of accumulation. At some point, when they are over the limit, their performance drops quickly resulting in damage to, or disposal of the stored products in refrigerators. The self-cleaning condenser device keeps the condenser clean and prevents system failure by automatically brushing daily.
- Stainless steel cabinet construction**  
 The Turbo Air Super Deluxe model boasts a stainless steel interior and exterior (galvanized steel back & bottom). It guarantees the utmost in cleanliness and long product life. The Super Deluxe can add a touch of style to the most refined setting.
- Sturdy, clean stainless steel shelving** *Only Turbo Air models*  
 Shelves are the most important part of cleanliness as they come in direct contact with food. After a while, PVC coated wire shelves may peel, rust and lead to unsanitary conditions. Only the Turbo Air Super Deluxe series uniquely provides stainless steel shelving.

- Efficient refrigeration system**  
 Turbo Air's solid door refrigerators are designed with oversized and balanced (CFC Free R-134A) refrigeration systems. These include efficient evaporators and condensers for faster cooling and greater efficiency.
- High-density CFC free polyurethane insulation**
- Ergonomically designed doors**  
 Customers' fatigue fades away with easy grip handles and doors that open effortlessly. These features along with self-closing doors make this the ultimate choice in customer convenience. ABS sheet door liners resist water condensation with thermal efficiency.
- Magnetic door gaskets**  
 Magnetic door gaskets are of one piece construction, removable without tools for ease of cleaning and replacement.
- Refrigerator holds 33°F ~ 38°F for the best in food preservation**



ENERGY STAR®  
 Qualified

| Model    | Swing Door | CU./FT. | #of Shelves | HP  | AMPS | Crated Weight (lbs.) | L x D <sup>*</sup> x H <sup>†</sup> (inches)                         |
|----------|------------|---------|-------------|-----|------|----------------------|--|
| TWR-72SD | 3          | 19      | 3           | 1/2 | 9.9  | 363                  | 72 <sup>5</sup> / <sub>8</sub> x 30 x 33 <sup>1</sup> / <sub>2</sub> |

## Model : TWR-72SD

| ELECTRICAL DATA             |   |
|-----------------------------|---|
| Voltage                     | 115/60/1                                |
| Plug Type                   | Ⓜ NEMA 5-15P                            |
| Full Load Amperes           | 9.9                                     |
| Compressor HP               | 1/2                                     |
| Cord Length (ft.)           | 9                                       |
| Refrigerant                 | R-134A                                  |
| DIMENSIONAL DATA            |   |
| Net Capacity (cu. ft.)      | 19                                      |
| Ext. Length Overall (in.)   | 72 <sup>5</sup> / <sub>8</sub> (1844mm) |
| Ext. Depth Overall (in.) *  | 30 (762mm)                              |
| Ext. Height Overall (in.) † | 33 <sup>1</sup> / <sub>2</sub> (851mm)  |
| # of Doors                  | 3                                       |
| # of Shelves                | 3                                       |
| Net Weight (lbs.)           | 314                                     |
| Gross Weight (lbs.)         | 363                                     |
| Shelf Size (in.)            | 21 x 17 (Left/Right)                    |
|                             | 23 x 17 (Middle)                        |

Design and specifications subject to change without notice.

Actual shipping weight may differ due to extra packing materials for product protection.

\* Depth does not include 1" for rear spacers.

† Height does not include 5" for caster height.

■ **WARRANTY : 3 Year Parts and Labor Warranty**  
Additional 2 Year Warranty on Compressor

- Self-contained system
- Standard 4" dia. swivel casters with locks on the front set
- 2.5" caster available (optional)
- Legs available (optional)

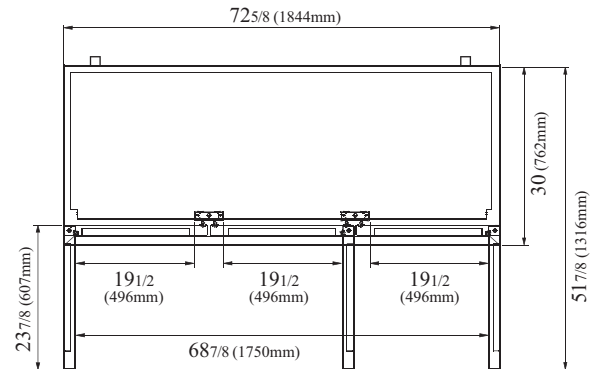
■ **OPTIONAL ACCESSORIES :**

- 2.5" caster, 1/2" diameter & 13 TPI: 30265H0100 (non-brake), 30265H0200 (w/ brake)
- 5" caster, 1/2" diameter & 13 TPI: M726500100 (non-brake), M726500200 (w/ brake)
- 6" ABS plastic leg: 30221M0200
- 6" stainless steel leg: 30221M0600
- Additional stainless steel shelf: M727800100 (Left/Right), M727800300 (Middle)

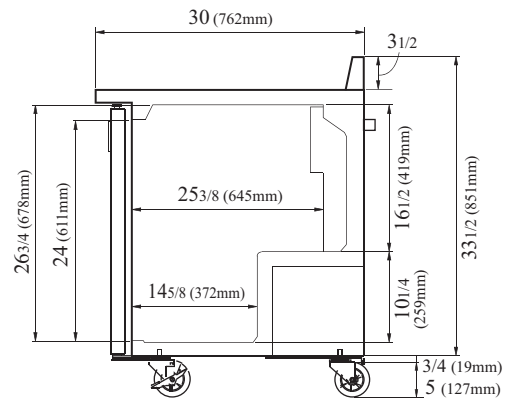
- **Door lock: extra lead time will apply, please call factory for more details to order**
- **External digital thermometer: extra lead time will apply, please call factory for more details to order**

## PLAN VIEW

(unit : inch)



PLAN VIEW



SIDE VIEW

Ver.201601



ENERGY STAR®  
Qualified

- Turbo Air : 800-627-0032
- GK : 800-500-3519
- Warranty : 800-381-7770
- AC : 888-900-1002

