

REFRIGERATOR MANUFACTURER
Turbo air
 more durable, efficient, beautiful

4184 E. Conant St.
 Long Beach, CA 90808
 Tel. 310-900-1000
 Fax. 310-900-1077
www.turboairinc.com

Project :	
Model # :	
Item # :	Qty :
Available W/H :	
Approval :	

Direct Cooling Type Cases

Bakery & Deli Cases
 High Profile

Model : TCDD-96-4-H



* Red wine and white color come standard

≡ FEATURES & BENEFITS ≡

- **Attractive, elegant, glass sided Euro design**
 Curved tempered front glass and minimal frame provide full product visibility to optimize display effects. Its elegant contemporary euro design and luxurious wine colored case will not only enhance any store atmosphere but also will keep product presentation at its best and beautiful.
- **Environmentally friendly, efficient refrigeration system**
 Turbo Air's refrigerators are designed with oversized and balanced environmentally friendly R-134A (CFC Free) refrigeration. These include large evaporators and condensers for faster cooling and balanced temperature throughout the cabinet.
- **Cantilevered wired shelves adjustable up and down, tilted**
- **304 stainless steel floor and airflow grille**
- **Easy access control panel**
- **High-density polyurethane insulation**
 The entire cabinet structure is foamed-in-place using high density, CFC free polyurethane insulation.
- **Self-contained system, no plumbing required**
- **Simple plug-in installation**
- **Sliding rear doors for product loading and unloading**
- **Heavy duty, white PE coated wire shelves**
- **Safety shielded top fluorescent light lamp**
- **Rear access of compressor compartment for quick and easy service**
- **Refrigerated bakery case holds avg. 33°F ~ 41°F for fresher bakery products**
- **Recommended operating conditions**
 TCDD models are designed to operate in environments where temperature & humidity do not exceed 75°F and 55% relative humidity.



Model	CU./FT.	# of Shelves	HP	AMPS	Crated Weight (lbs.)	L x D x H (inches)
TCDD-96-4-H	28.8	4	1/2	11	957	96 1/2 x 30 x 50 1/8

Model : TCDD-96-4-H

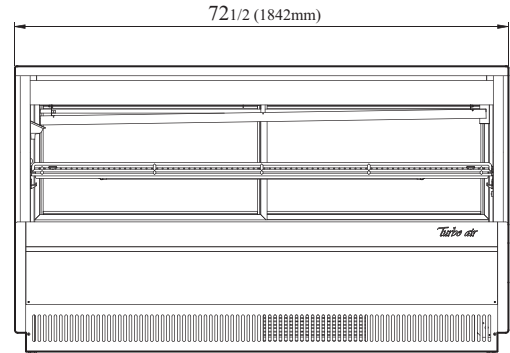
ELECTRICAL DATA	
Voltage	115/60/1
Plug Type	ⓘ NEMA 5-15P
Full Load Amperes	11
Compressor HP	1/2
Refrigerant	R-134A
DIMENSIONAL DATA	
Net Capacity cu. ft.	28.8
Ext. Length Overall in.	96 ¹ / ₂ (2451mm)
Ext. Depth Overall in.	30 (762mm)
Ext. Height Overall in.	50 ¹ / ₈ (1273mm)
Int. Length Overall in.	93 ¹ / ₄ (2370mm)
Int. Depth Overall in.	24 (610mm)
Int. Height Overall in.	23 ⁵ / ₈ (599mm)
Net Weight lbs.	802
Gross Weight lbs.	957
# of Shelves	4
Self Size	46 ¹ / ₈ x 15 ³ / ₄ , 46 ¹ / ₈ x 17 ³ / ₄

Design and specifications subject to change without notice.
Actual shipping weight may differ due to extra packing materials for product protection.

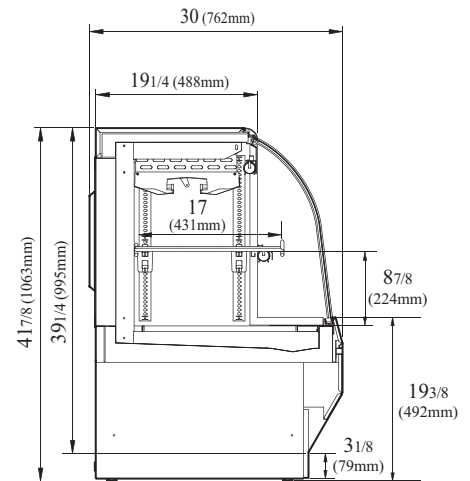
- **WARRANTY :** 2 Years Parts and Labor Warranty
Additional 3 Years Warranty on Compressor

PLAN VIEW

(unit : inch)



FRONT VIEW



SIDE VIEW

Ver.201501



- Turbo Air : 800-627-0032
- GK : 800-500-3519
- Warranty : 800-381-7770
- AC : 888-900-1002