



4184 E. Conant st., Long Beach, CA 90808  
 Tel. 800-500-3519 Fax. 310-900-1066  
[www.turboairinc.com](http://www.turboairinc.com)

Project :

Model # :

Item # :

Qty :

Available W/H :

Approval :

## 36" Wide Heavy Duty Restaurant Ranges

**Model : TAR-36G  
 TAR-36G-LP**



### ≡ FEATURES & BENEFITS ≡

- Heavy gauge welded frame construction
- Fully adjustable oven thermostat providing temperatures from 250-550°F degrees
- Stainless steel front, sides, back riser lift-off high shelf
- Pull out stainless steel door for easy cleaning
- Individual pilot for each lift off top open burner at 32,000 btu/hr
- Thermostat controlled griddle
- 6" stainless steel adjustable legs (casters available as an option)
- 1 stainless steel oven rack standard (additional racks optional)
- 12" x 12" sectioned heavy duty cast iron grates
- CSA certified for safety / sanitation for USA and Canada
- Full size pull out crumb tray
- Wrap around full stainless steel oven interior / 26.3" depth standard



| Model      | Oven | Weight (lbs.) | Width (inches) | Total BTUs | Configuration         |
|------------|------|---------------|----------------|------------|-----------------------|
| TAR-36G    | 1    | 650           | 36             | 94K        | 36" Griddle Top (NAT) |
| TAR-36G-LP | 1    | 650           | 36             | 91K        | 36" Griddle Top (LPG) |

# 36" Wide Heavy Duty Restaurant Ranges

## Model : TAR-36G

| DATA                             | TAR-36G                   |
|----------------------------------|---------------------------|
| Gas Type                         | NAT                       |
| Gas Connection                   | 3/4"                      |
| Regulator                        | 3/4"                      |
| Gas Pressure                     | 5 W.C"                    |
| BTU                              | 94,000                    |
| <b>DIMENSIONAL DATA</b>          |                           |
| Ext. Length Overall (inch)       | 36 (914mm)                |
| Ext. Depth Overall (inch)        | 31 7/8 (810mm) + manifold |
| Ext. Height Overall (inch)       | 56 1/2 (1436mm)           |
| <b>OVEN DIMENSION (Interior)</b> |                           |
| Number of Oven                   | 1                         |
| Length (inch)                    | 26 3/8 (670mm)            |
| Depth (inch)                     | 26 1/4 (669mm)            |
| Height (inch)                    | 13 5/8 (345mm)            |
| Weight (lbs.)                    | 650                       |

| DATA                             | TAR-36G-LP                |
|----------------------------------|---------------------------|
| Gas Type                         | LPG                       |
| Gas Connection                   | 3/4"                      |
| Regulator                        | 3/4"                      |
| Gas Pressure                     | 10 W.C"                   |
| BTU                              | 91,000                    |
| <b>DIMENSIONAL DATA</b>          |                           |
| Ext. Length Overall (inch)       | 36 (914mm)                |
| Ext. Depth Overall (inch)        | 31 7/8 (810mm) + manifold |
| Ext. Height Overall (inch)       | 56 1/2 (1436mm)           |
| <b>OVEN DIMENSION (Interior)</b> |                           |
| Number of Oven                   | 1                         |
| Length (inch)                    | 26 3/8 (670mm)            |
| Depth (inch)                     | 26 1/4 (669mm)            |
| Height (inch)                    | 13 5/8 (345mm)            |
| Weight (lbs.)                    | 650                       |

Design and specifications subject to change without notice.  
Actual shipping weight may differ due to extra packing materials for product protection.

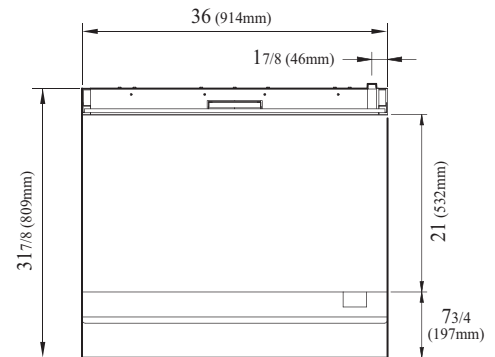
### ■ WARRANTY : 1 Year Labor and Parts Warranty

### ■ OPTIONAL ACCESSORIES :

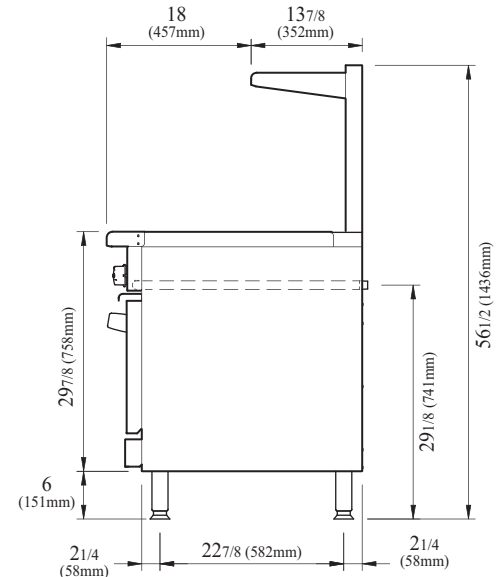
- Casters (Set of 4)
- Stainless steel oven racks

## PLAN VIEW

(unit : inch)



TOP VIEW



SIDE VIEW

Ver.201601



- Turbo Air : 800-627-0032
- GK : 800-500-3519
- Warranty : 800-381-7770
- AC : 888-900-1002

