



ICEU220

Features

- Space-saving 24" (623 mm) wide undercounter design.
- Produces up to 251 lbs (114 kg) of ice per day.
- *Harvest Assist* provides consistent ice production for the life of the ice maker while reducing energy consumption and increasing capacity.
- *Pure Ice*® exclusively by Ice-O-Matic. Built-in antimicrobial protection for the life of the ice maker inhibits bacteria growth on ice maker surfaces. Ice-O-Matic's optional water filtration system provides protection against unpleasant tastes, odors and scale formation.
- Durable, electroless nickel plating on all evaporator plates ensures reliability.
- *Longest warranty in the industry.* Purchase an Ice-O-Matic water filter with your cube ice maker, replace the filter every six months, and the evaporator warranty is extended to 7 years parts and labor (available in the U.S. and Canada only).
- Constructed from corrosion-resistant stainless steel and fingerprint-proof plastic.

Options & Accessories

| WATER FILTERS | | | |
|-------------------|----------|-------------|---------------|
| Ice Machine Model | Manifold | | Inline |
| | System | Replacement | System |
| ICEU220 | IFQ1 | IOMQ (I) | IFI4C / IFI8C |
| ICEU225 | | | |
| ICEU226 | | | |

Ice Maker Warranty

Every Ice-O-Matic ice maker is backed by a warranty that provides both parts and labor coverage.

- Three years **Parts** and **Labor**.
- Five years **Parts** coverage on the evaporator and compressor.
- Seven years **Parts** and **Labor** on the evaporator when you purchase an Ice-O-Matic water filter with your cube ice maker and replace the filter every six months (available in the U.S. and Canada only).

Ice Form



CUBE

| FULL CUBE DIMENSIONS | |
|----------------------|---|
| W x D x H (in.) | 7 ⁵ / ₈ x 7 ⁵ / ₈ x 7 ⁵ / ₈ |
| W x D x H (mm) | 22 x 22 x 22 |
| HALF CUBE DIMENSIONS | |
| W x D x H (in.) | 3 ⁵ / ₈ x 7 ⁵ / ₈ x 7 ⁵ / ₈ |
| W x D x H (mm) | 10 x 22 x 22 |

Space-Saving Solutions

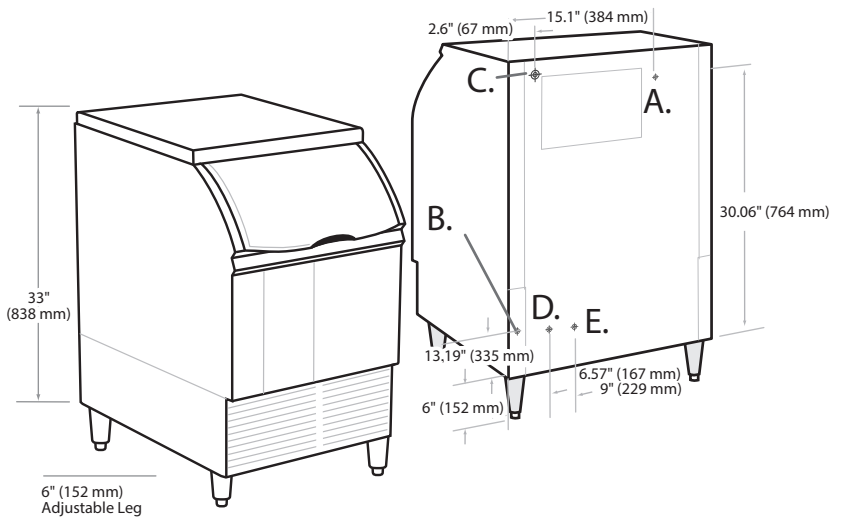
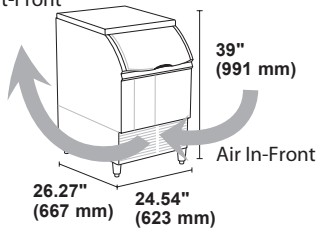
- Front air discharge design for compact spaces.
- Low profile top saves counter space.
- Stores up to 70 lbs (32 kg) of ice.
- Easy front access to ice.
- Available with an air-cooled or water-cooled condenser.



Air and Water Cooled

- A. Ice maker water in, 3/8" FPT.
- B. Bin and ice maker drain, 3/4" FPT.
- C. Hole for electrical connections, 7/8" (Cord on 115V).
- D. Condenser water in, 3/8" FPT (water cooled units only).
- E. Condenser water out, 1/2" FPT (water cooled units only).

Air Out-Front



Front & Rear View

Operating Requirements

| | MINIMUM | MAXIMUM | |
|-------------------------|-------------------|-------------------|--------------|
| | | 60 Hz | 50 Hz |
| Ambient Temp. Range Air | 50°F (10°C) | 100°F (38°C) | 110°F (43°C) |
| Water Temp. | 40°F (4.4°C) | | |
| Water Pressure | 20 PSIG (1.4 BAR) | 60 PSIG (4.1 BAR) | |

Dimensions

| ALL MODELS | |
|-----------------|--------------------|
| W x D x H (in.) | 24.54 x 26.27 x 39 |
| W x D x H (mm) | 623 x 667 x 991 |

Specifications

| Model Number | Cond. Unit | Ice Production per 24hrs | | Water Usage gallons per 100 lbs of Ice 90°F air/70°F water | | kWH Used per 100 lbs of ice @ 90°F air/70°F water | Voltage Characteristics | Min. Circuit Ampacity | Fuse Size | Approx. BTUs per hour** |
|--------------|------------|------------------------------|------------------------------|--|-----------|---|-------------------------|-----------------------|-----------|-------------------------|
| | | 70°F air/50°F water lbs (kg) | 90°F air/70°F water lbs (kg) | Potable | Condenser | | | | | |
| ICEU220A★ | Air | 238 (108) | 175 (79) | 30.3 | - | 8.8 | 115/60/1 | 11.9 | 15 | 4,609 |
| ICEU220W* | Water | 251 (114) | 193 (88) | 37.1 | 175 | 6.6 | | 8.9 | | 4,288 |
| ICEU225A | Air | 211 (96) | 143 (65) | 32.7 | - | 8.8 | 220-240/50/1 | 4.9 | 16 | 3,774 |
| ICEU225W | Water | 210 (95) | 174 (79) | 36.6 | 156 | 6.3 | | 4.1 | | 3,780 |
| ICEU226A | Air | 241 (109) | 168 (76) | 32.7 | - | 8.48 | 208-230/60/1 | 6.0 | 15 | 4,321 |
| ICEU226W | Water | 232 (105) | 192 (87) | 36.6 | 167 | 6.59 | | 4.4 | | 4,263 |

**BTUH is calculated 0°F Evaporator, 100°F Condensing, and 33 PSIG.

NOTES:

- Number of Wires: 3 (including ground)
- Approx. Shipping Weight lbs (kg): ICEU220A 160 (73) • ICEU220W 160 (73) • ICEU225A 160 (73) • ICEU225W 160 (73) • ICEU226A 160 (73) • ICEU226W 160 (73)
- Refrigerant Type: R404A
- *Cordset included with 115V units.

★ENERGY STAR qualified machine. Please see our website www.iceomatic.com for the latest list of ENERGY STAR qualified machines and available rebates

ICEU220/225/226 SELF CONTAINED CUBE ICE MAKER