



# BACK MOUNT UNDERCOUNTER REFRIGERATORS

Back Mounted Condensing Unit

## ETB – Series

• ETBR1 • ETBSR2 • ETBR2 • ETBWR2 • ETBR3

### Cabinet Construction

Heavy duty stainless steel interior and exterior, and galvanized steel finished bottom and back wall of exterior. High quality 16 gauge stainless steel worktop, ABS evaporator drain cover. 2.5" thick high density foamed-in-place polyurethane insulation. Four 4" diameter casters (front casters with brakes). Door heater installation around inside cabinet frame to prevent moisture build-up.

### Refrigeration System

- Back mounted condensing unit
- Oversized condenser and evaporator coil cools to set and maintain temperature in minimum time period
- Forced-air cooling with oversized evaporator fan motors providing balanced airflow throughout cabinet to ensure faster temperature drop
- Slide-out condensing unit for convenient repair and maintenance
- Front air breathing for built-in applications
- Environmentally friendly CFC free R-134A refrigerant
- Air defrost controlled by electrical timer
- Copper tube and aluminum fin evaporator with anti-corrosive coating
- Energy efficient condensate drain pan assembly heated by high side copper tube
- Pressure relief port located at exterior back wall for rapid re-entry
- Pre-wired and ready to plug, 115V/60Hz/1Ph, NEMA 5-15P

### Doors

- Heavy duty stainless steel interior and exterior
- 2.5" thick foamed-in-place polyurethane insulation
- Rounded corners for a sleek and modern appearance
- Heavy duty adjustable torsion spring self-closing door system
- One piece snap-in magnetic door gasket for easy replacement
- Heavy duty recessed door handles for a flat surface

### Shelving

- Two epoxy coated wire shelves per section
- 304 stainless steel pilasters and shelf clips

### Temperature Control

- Factory preset temperature, 35°F
- Temperature setting range from 33°F to 41°F
- Easy to read digital temperature display
- Easy to program push button temperature control
- Microchip digital monitoring system with a variety of functions to monitor and maintain optimum temperature  
(Note: digital controls applied to models manufactured from April 2013)

### Option

- Stainless steel backsplash for worktop use



ETBR1



ETBSR2



ETBR2



ETBWR2



ETBR3

• Project / Customer \_\_\_\_\_

• Item No. \_\_\_\_\_

• Model No. \_\_\_\_\_

### Warranty

2 YEAR — Parts & Labor  
5 YEAR — Compressor



Please visit our website for updated Energy Efficiency information

201 W. Artesia Blvd, Compton, CA 90220  
T. (310) 323-6586, (800) 444-6285 F. (310) 323-7524

[www.EVERESTref.com](http://www.EVERESTref.com)

# BACK MOUNT UNDERCOUNTER REFRIGERATORS

Back Mounted Condensing Unit



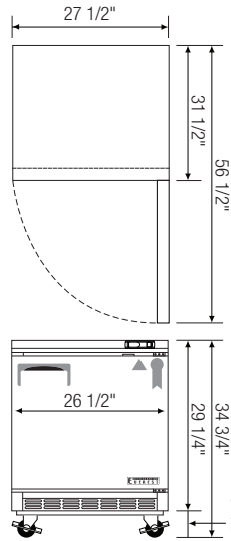
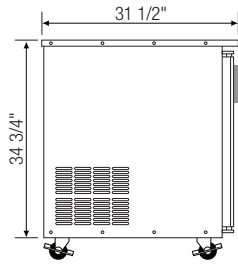
**EVEREST**  
REFRIGERATION

## ETB – Series

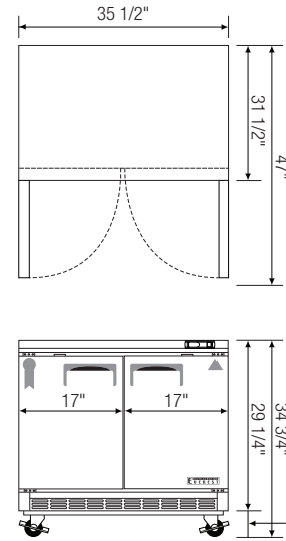
• ETBR1 • ETBSR2 • ETBR2 • ETBWR2 • ETBR3

### Dimensions

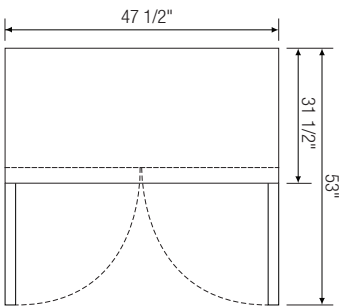
#### SIDE VIEW



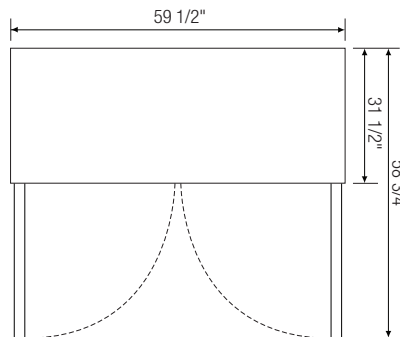
▲ ETBR1



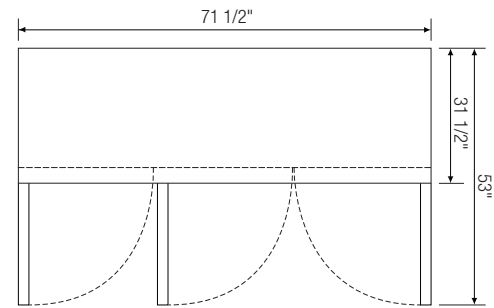
▲ ETBSR2



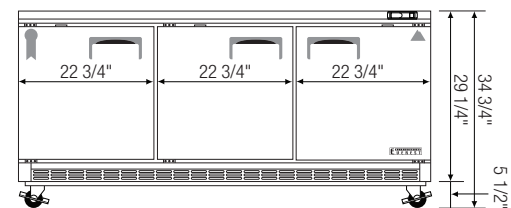
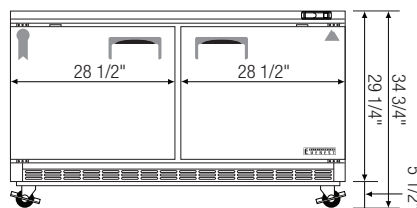
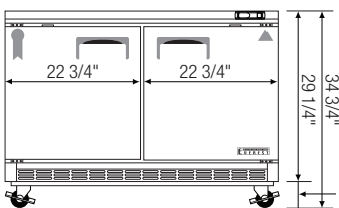
▲ ETBR2



▲ ETBWR2



▲ ETBR3



Model	Ref/ Fzr/ Dual	# of Doors	Capacity (Cu.Ft.)	HP	Refrigerant	# of Shelves	Power (V-Hz-Ph)	Amps	Crated Weight (LBS)	Exterior Dimensions (Inches)			* Height does not included 5" for caster.  Ref = Refrigerator Fzr = Freezer Dual = Ref & Fzr Combo
										L	D	H*	
ETBR1	Ref	1	5.6	1/5	R-134A	2	115-60-1	4.10	192	27 1/2	31 1/2	29 1/4	
ETBSR2	Ref	2	7.5	1/5	R-134A	4	115-60-1	4.40	224	35 1/2	31 1/2	29 1/4	
ETBR2	Ref	2	10.3	1/5	R-134A	4	115-60-1	4.40	262	47 1/2	31 1/2	29 1/4	
ETBWR2	Ref	2	15	1/4	R-134A	4	115-60-1	4.70	300	59 1/2	31 1/2	29 1/4	
ETBR3	Ref	3	18.3	1/3	R-134A	6	115-60-1	5.20	337	71 1/2	31 1/2	29 1/4	

Specifications subject to change without notice.

[www.EVERESTref.com](http://www.EVERESTref.com)

201 W. Artesia Blvd, Compton, CA 90220  
T. (310) 323-6586, (800) 444-6285 F. (310) 323-7524