



# DIRECT DRAW KEG REFRIGERATORS

## EBD – Series

• EBD1 • EBD2 • EBD3 • EBD4

### Cabinet Construction

Heavy duty stainless steel countertop and rail, and textured and laminated black vinyl exterior. Galvanized steel interior wall, and high quality stainless steel floor. 1 3/4" thick high density foamed-in-place polyurethane insulation. Pre-installed four 4" diameter casters for single door unit. Door heater installation around inside cabinet frame to prevent moisture build-up.

### Refrigeration System

- Back mounted condensing unit for single door, and side mounted condensing unit for two and three door models
- Oversized condenser and evaporator coil cools to set and maintain temperature in minimum time period
- Forced-air cooling with oversized evaporator fan motors providing balanced airflow throughout cabinet to ensure faster temperature drop
- Removable side panel and slide-out condensing unit for convenient repair and maintenance
- Environmentally friendly CFC free R-134A refrigerant
- Air defrost controlled by electrical timer
- Copper tube and aluminum fin evaporator with anti-corrosive coating
- Energy efficient condensate drain pan assembly heated by high side copper tube
- Pre-wired and ready to plug, 115V/60Hz/1Ph, NEMA 5-15P

### Doors

- Textured and laminated black exterior and galvanized steel interior
- 1 3/4" thick high density foamed-in-place polyurethane insulation
- One piece snap-in magnetic door gasket for easy replacement
- Heavy duty recessed door handles for a flat surface
- Door locks

### Draft Arms

- NSF approved 3" diameter insulated stainless steel draft arm with air distributor
- One draft arm for model EBD1, and two draft arms for two and three door models

### Lighting

- Safety shielded incandescent interior lighting (except model EBD1)

### Shelving

- Two epoxy coated wire shelves per section
- 304 stainless steel pilasters and shelf clips

### Temperature Control

- Factory preset temperature, 35°F
- Temperature setting range from 33°F to 41°F
- Easy to read digital temperature display
- Easy to program push button temperature control
- Microchip digital monitoring system with a variety of functions to monitor and maintain optimum temperature  
(Note: digital controls applied to models manufactured from April 2013)

### Option

- 2 1/2" and 4" diameter casters (3" and 5" overall height)
- Dual faucet



EBD1



EBD2



EBD3



EBD4

• Project / Customer \_\_\_\_\_

• Item No. \_\_\_\_\_

• Model No. \_\_\_\_\_

### Warranty

2 Year — Parts & Labor  
5 Year — Compressor



Please visit our website for updated Energy Efficiency information

201 W. Artesia Blvd, Compton, CA 90220  
T. (310) 323-6586, (800) 444-6285 F. (310) 323-7524

[www.EVERESTref.com](http://www.EVERESTref.com)

# DIRECT DRAW KEG REFRIGERATORS

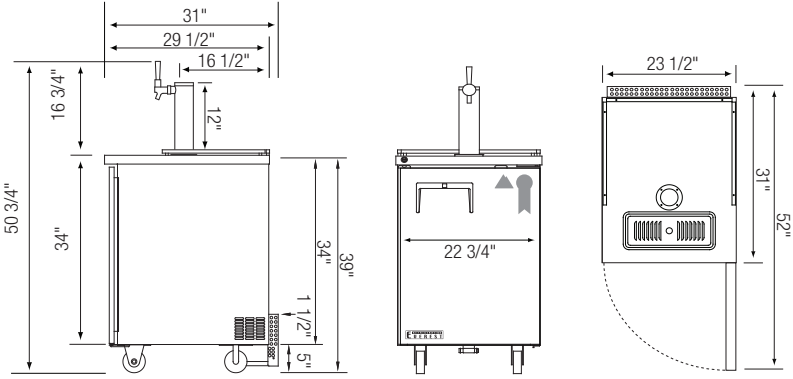
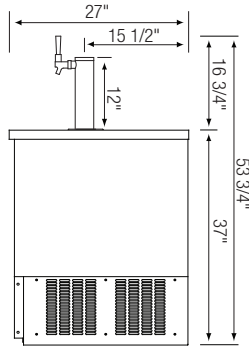


## EBD – Series

• EBD1 • EBD2 • EBD3 • EBD4

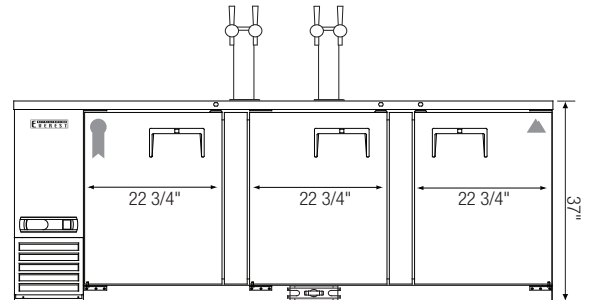
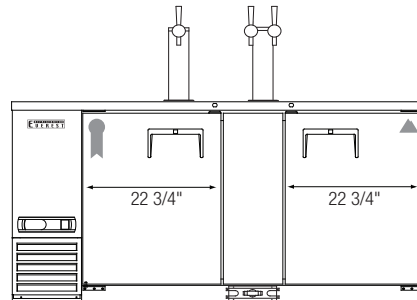
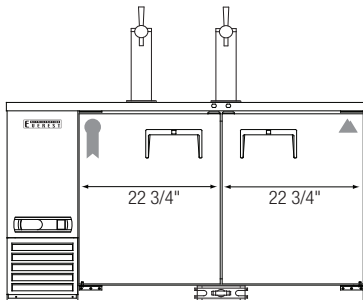
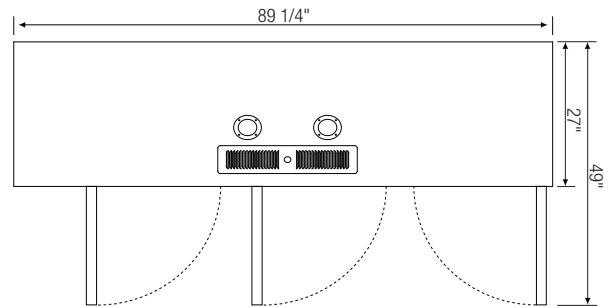
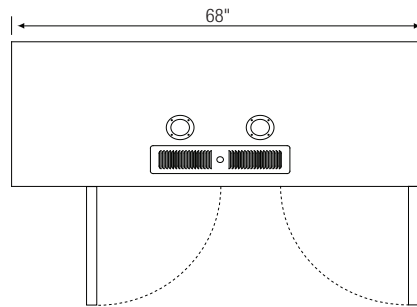
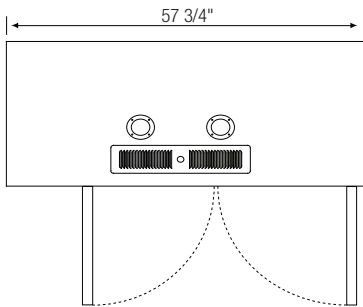
### Dimensions

#### SIDE VIEW (All models except EBD1)



Pre-installed casters

▲ EBD1



▲ EBD2

▲ EBD3

▲ EBD4

Model	Ref/ Fzr/ Dual	# of Doors	# of 1/2 Barrels	Capacity (Cu.Ft.)	HP	Refrigerant	Power (V-Hz-Ph)	Amps	Crated Weight (LBS)	Exterior Dimensions (Inches)			* Height does not include tower. <b>a</b> Depth includes 1 1/2" for condenser coil <b>b</b> Height includes 5" for caster  Ref = Refrigerator Fzr = Freezer Dual = Ref & Fzr Combo
										L	D	H*	
EBD1	Ref	1	2	8.19	1/4	R-134A	115-60-1	3.90	154	23 1/2	31 <sup>a</sup>	39 <sup>b</sup>	
EBD2	Ref	2	4	20.09	1/3	R-134A	115-60-1	4.20	278	57 3/4	27	37	
EBD3	Ref	2	4	24.01	1/3	R-134A	115-60-1	4.20	309	68	27	37	
EBD4	Ref	3	6	32.37	1/3	R-134A	115-60-1	4.50	384	89 1/4	27	37	

Specifications subject to change without notice.

[www.EVERESTref.com](http://www.EVERESTref.com)

201 W. Artesia Blvd, Compton, CA 90220  
T. (310) 323-6586, (800) 444-6285 F. (310) 323-7524