

Specifications

Description

Adcraft's Infrared Display Warmer is constructed of heavy duty stainless steel. This display warmer can be used in the kitchen as a fried food holding station and in the front of the house to keep hot food on display for an extended period of time as a self serve station. Instead of bulbs, this item uses heating elements that give off a more uniform heat distribution. Polished stainless steel reflectors located above the heating elements help radiate the heat down towards the food zone below. The raised base keeps the food pan off the work area preventing it from getting hot and allows for easy accessibility of the food from all three sides. This display warmer comes complete with a 2" deep full size food pan with removable stainless steel perforated liner for drainage of excess grease. This unit is backed by Adcraft's 1 year limited warranty.

Construction

- Constructed of heavy duty stainless steel
- Fully welded for strong durability
- Raised base keeps food pan off the work area
- Accessible from three sides

Heating

- Heating elements run through the entire top of the unit giving off a more uniform heat distribution eliminating hot and cold spots
- Polished stainless steel reflectors above the heating elements help radiate heat down towards the food zone
- On/Off switch located on the front of the unit away from heat zone

Electrical

- 120V, 940W, 7.8 Amps
- 6' power cord with NEMA 5-15 plug

Model Features

- Includes 2" deep full size food pan with perforated liner for excess grease drainage
- 40 watt light for greater illumination of products

Infrared Display Warmer

Models:

- IDW-940W



Accessories (Sold Separately)

- 22F1 - 2" deep s/s full size food pan
- FB-917 - full size perforated food liner
- FFS-DH - french fry scoop/bagger

Certifications/Approvals

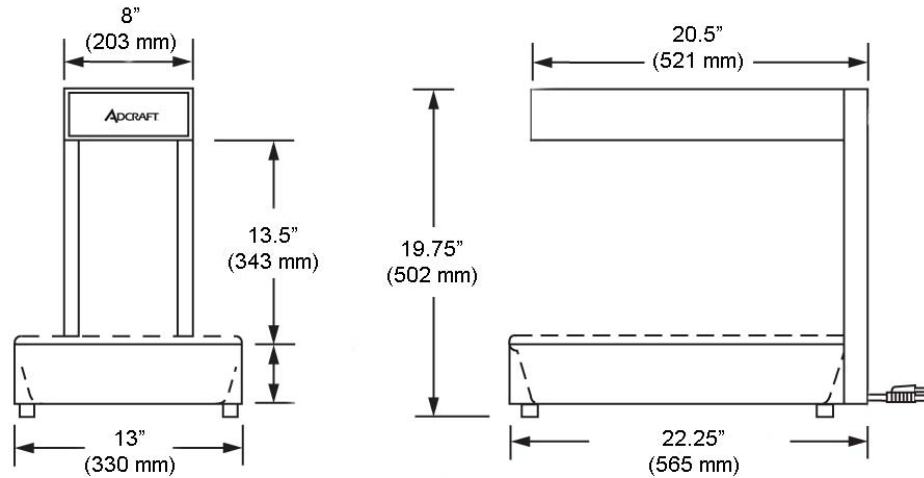


Warranty: This product is protected by Admiral Craft Equipment Corporation's one year limited warranty. Should your product fail under normal use it will be repaired or replaced up to one year from date of purchase.




Infrared Display Warmer - IDW-940W

Plan View



Specifications

Item Number	Item Dimensions	Volts	Wattage	Amps	NEMA Plug
IDW-940W	13"W x 22.5"D x 19.75"H	120V	940W	7.8	5-15P 

Shipping Info

Item Number	Box Dimensions	Gross Weight	Net Weight
IDW-940W	13.75"W x 25"D x 22"H	20 lbs	15.5 lbs

For more information about this or any of our other products go to www.admiralcraft.com. This item is listed on AutoQuotes. For full explanation of warranty coverage on this product please refer to warranty page located in the owner's manual and warranty section at www.admiralcraft.com. Specifications subject to change without notice. Please confirm at time of order.