

ELECTRIC 36" RESTAURANT RANGES



Model IR-6-E shown
with optional casters



9 1/2" (241) diameter round plate elements
with easy to clean Teflon surface



High performance 5 KW element provides
even heating throughout the oven cavity

MODEL NUMBERS

- IR-6-E
- IR-6-E-XB

COOKTOP ELECTRIC ELEMENTS

- 2 KW round plates with easy-to-clean Teflon surface. Provides a solid flat surface for faster, even heating.
- Plates are 9 1/2" (241) diameter for maximum pan contact.
- Solid top prevents spills from entering unit making clean-up easy.
- Infinite heat controls for maximum cooking flexibility.

STANDARD OVEN

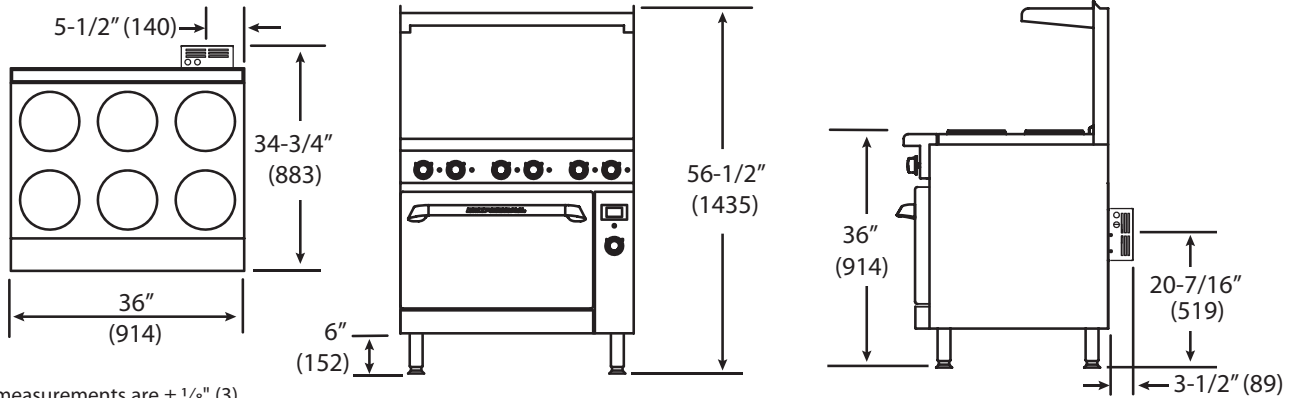
- High performance 5 KW element provides even heating throughout the oven.
- Exclusive heat deflector reflects heat into the oven, not the floor.
- Chef depth standard oven interior accommodates standard 18" x 26" (457 x 660) sheet pans front-to-back and side-by-side.
- Oven is 26 1/2" w x 26" d x 14" h (673 w x 660 d x 356 h).
- Heavy duty thermostat with temperature range from 150°F to 500°F (65°C to 260°C).
- Oven controls protected from heat in an insulated side compartment.
- Porcelainized side, rear, deck and door lining.
- Splatter screen protects element from spills.
- Stamped inner door liner provides extra strength while optimizing heat retention.
- One chrome oven rack is included.

STANDARD RANGE FEATURES

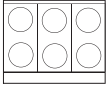
- Stainless steel front, top, sides, backguard, shelf, landing ledge and kick plate.
- Welded stainless steel seams.
- Large 5" (127) stainless steel landing ledge.
- Durable cast aluminum knobs with vylox heat protection are cool to the touch.
- 6" (152) heavy duty legs with adjustable feet.
- One year parts and labor warranty.



IMPERIAL ELECTRIC 36" RESTAURANT RANGES



All measurements are $\pm 1/8"$ (3).

Top	Model	Description	Overall Dimensions			Ship Weight	
			Width	Depth	Height*	(Kg)	Lbs
	IR-6-E	6 elements, one 26 1/2" (673) wide oven	36" (914)	34 3/4" (883)	36" (914)	(274)	605
	IR-6-E-XB	6 elements, open cabinet base	36" (914)	34 3/4" (883)	36" (914)	(247)	545

All measurements in () are metric equivalents.

* Height to cooktop.

Note: "XB" specifies Cabinet Base model.

Crated Dimensions: 39" D x 35" H x Add 2 1/2" (64) to range width (990 D x 889 H x add 64 to W).



STANDARD EXTERIOR SPECIFICATIONS

Front, sides, landing ledge, control panel, backguard with shelf and kick plate shall be constructed of stainless steel with welded and finished stainless steel seams. Control knobs shall be constructed of durable cast aluminum with a vylox heat protection grip. Chrome plated 6" (152) legs shall have adjustable feet.

COOKTOP SPECIFICATIONS

Electrical elements shall be 2 KW round plates with easy-to-clean Teflon surface and a solid flat surface for faster, even heating. Plates shall be 9 1/2" (241) diameter for maximum pan contact. Solid stainless steel top shall prevent spills from entering unit. Infinite heat controls shall provide maximum cooking flexibility.

OVEN SPECIFICATIONS

Oven shall be 12 gauge construction with a welded front frame. Oven shall be fully insulated with non-sag fiberglass. Oven interior shall have porcelainized sides, rear, deck and door lining. Inner door liner shall be stamped for extra strength while optimizing heat retention. Oven element shall provide 5 KW output. Oven shall have a top browning control feature. Oven shall have a splatter screen to protect element from spills. Unique baffle above the burner distributes heat flow to provide even cooking temperatures. One heavy duty locking chrome plated rack shall be included. Thermostat shall be adjustable from 150°F to 500°F (65°C to 260°C). Oven controls shall be protected in an insulated side compartment. Oven interior dimensions shall be 26 1/2" w x 26" d x 14" h (673 x 660 x 356).

CLEARANCE

For use only on non-combustible floors. Legs or casters are required for non-combustible floors; or 2" (51) overhang is required when curb mounted. Provide 0" clearance from non-combustible surfaces and 8" (203) from combustible surfaces.

ELECTRICAL REQUIREMENTS

Model	Total KW	Voltage	Phase	Amps
IR-6-E	17	208	1	81.73
	17	208	3	47.24
	17	240	1	70.83
	17	240	3	40.94
	17	480*	3	20.47
IR-6-E-XB	12	208	1	57.69
	12	208	3	33.35
	12	240	1	50
	12	240	3	28.9
	12	480*	3	14.45

* For export only, additional charge.

OPTIONS AND ACCESSORIES

- Extra chrome rack
- 6" (152) casters, set of 4

Imperial Commercial Cooking Equipment

1128 Sherborn Street | Corona, CA 92879 | 800.343.7790 | Ph: 951.281.1830 | Fx: 951.281.1879

www.imperialrange.com | E-mail: imperialsales@imperialrange.com