

24" DEEP GLASS DOOR BACK BAR COOLERS

EBB – Series • EBB48G-24 • EBB59G-24 • EBB69G-24 • EBB90G-24



▲ EBB48G-24



▲ EBB59G-24



▲ EBB69G-24



▲ EBB90G-24

Cabinet Construction

Heavy duty stainless steel countertop, with textured and laminated black vinyl exterior. Galvanized steel interior wall, and high quality stainless steel floor. 1 3/4" thick high density foamed-in-place polyurethane insulation. Built-in caster thread receptacles for all units.

Refrigeration System

- Side mounted condensing unit
- Oversized condenser and evaporator coils quickly achieve and maintain desired temperature
- Forced-air cooling with oversized evaporator fan motors provide balanced airflow throughout cabinet to ensure faster temperature drop
- Removable side panel and slide-out condensing unit for convenient repair and maintenance
- Environmentally friendly CFC free R-134A refrigerant
- Air defrost controlled by electrical timer
- Copper tube and aluminum fin evaporator with anti-corrosive coating
- Energy efficient condensate drain pan assembly heated by high side copper tube
- Pre-wired and ready to plug, 115V/60Hz/1Ph, NEMA 5-15P

Lighting

- Shielded vertical LED interior lighting with on/off switch for energy efficiency, minimal heat generation and enhanced illumination

Doors

- Black PVC door frames
- Low emissivity double pane glass system reflects UV rays and improves insulation for maximized energy efficiency
- One piece snap-in magnetic door gaskets for easy replacement
- Heavy duty die cast door handles
- Door locks

Shelving

- Two epoxy coated wire shelves per section
- Stainless steel pilasters and shelf clips

Temperature Control

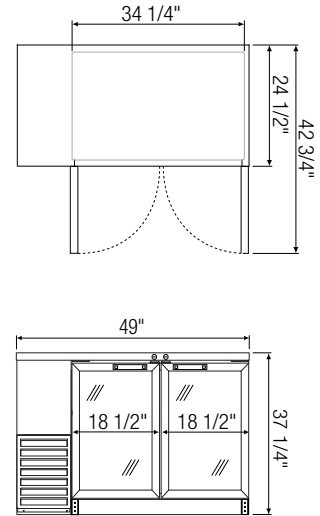
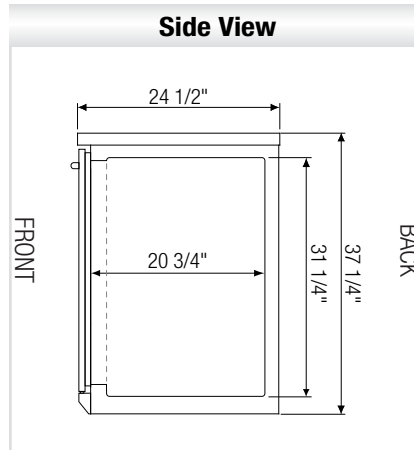
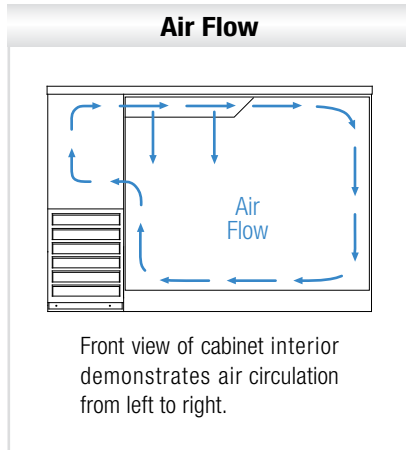
- Factory preset temperature, 35°F
- Temperature setting range from 32°F to 42°F
- Easy to set analog thermostat

Option

- 2 1/2" and 4" diameter casters (3 1/2" and 5" overall height)

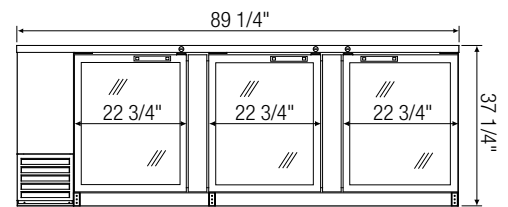
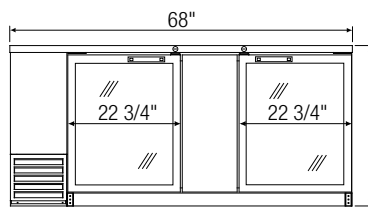
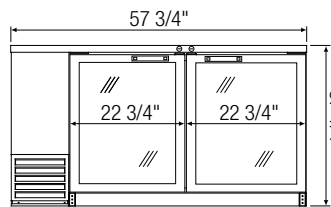
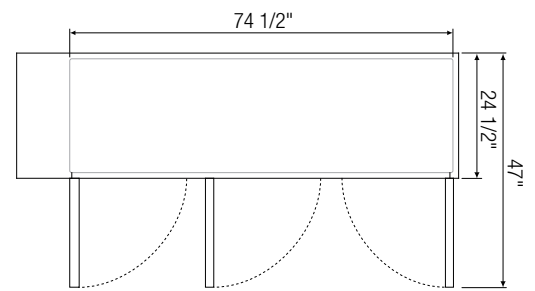
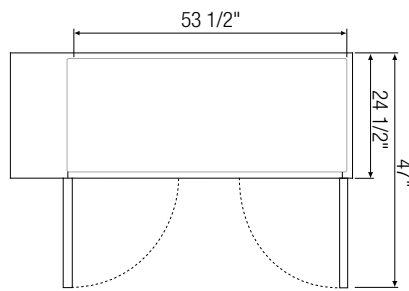
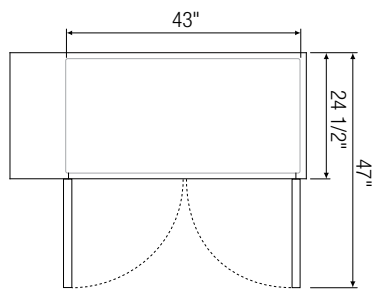


Dimensions



Equipped with 9 ft long NEMA 5-15P plug.

▲ **EBB48G-24**



▲ **EBB59G-24**

▲ **EBB69G-24**

▲ **EBB90G-24**

Model	Ref/ Frz/ Dual	# of Doors	# of Shelves	Capacity (Cu.Ft.)	HP	Refrigerant	Capacity		Power (V-Hz-Ph)	Amps	Crated Weight (LBS)	Exterior Dimensions (Inches)		
							12 oz. Cans	12 oz. Bottles				L	D*	H
EBB48G-24	Ref	2	4	13.95	1/4+	R-134A	420	294	115-60-1	4.50	278	49	24 1/2	37 1/4
EBB59G-24	Ref	2	4	16.86	1/4+	R-134A	560	357	115-60-1	4.50	306	57 3/4	24 1/2	37 1/4
EBB69G-24	Ref	2	4	20.41	1/4+	R-134A	700	441	115-60-1	4.20	336	68	24 1/2	37 1/4
EBB90G-24	Ref	3	6	27.96	1/3	R-134A	980	609	115-60-1	4.50	458	89 1/4	24 1/2	37 1/4

* : Depth does not include protruding door handles.

Ref = Refrigerator

Specifications subject to change without notice.

Product dimensions are for general purposes and not absolute value. Product capacity(▶) is calculated based on standard industry figures. Slight variations may exist. If dimensions and capacity are critical, please contact Everest Refrigeration.



Please visit our website for updated Energy Efficiency information.