

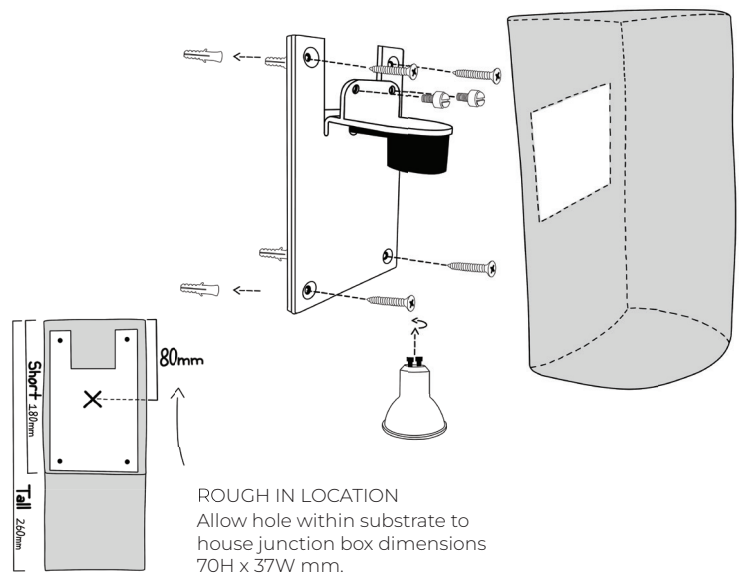
INTERIOR

PRE-INSTALLATION

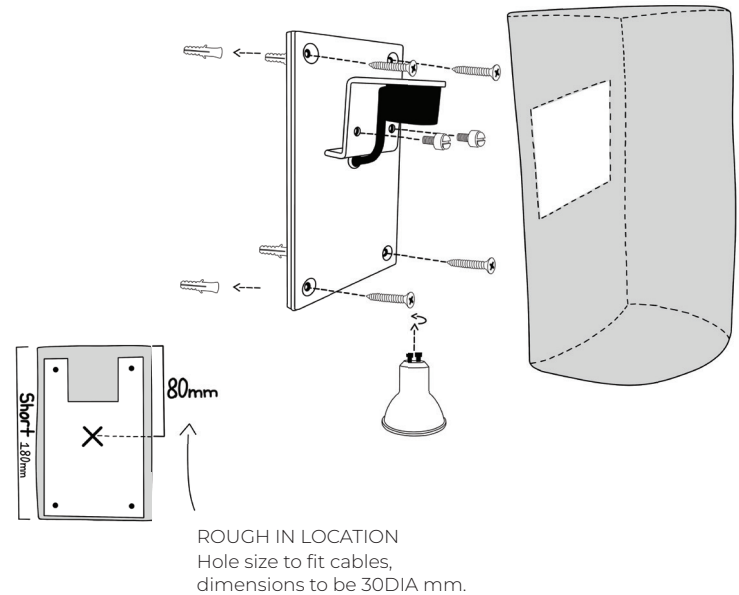
1. Unpack carefully to avoid damaging the ceramic or the light fitting.
2. Do not operate or install the light if it appears damaged in any way.
3. If the product has been damaged during delivery, notify We Ponder via email within 24 hours of receiving to rectify.
4. Warranty will not cover damages caused by improper use or alterations to the product.
5. Follow all steps carefully and neatly to prevent damage to the wires or mounting bracket.
6. Isolate the power to the circuit before beginning installation.

INSTALLATION GUIDE

1. Use the mounting plate as a template to mark the screw positions and hole required for cables on the wall, and use a spirit level to ensure the plate is level.
2. Install the mounting plate onto the wall using flathead 6G screws and appropriate anchors to suit wall substrate.
3. Slide your ceramic wall light into place.
4. Place hand into the top of the ceramic for interior or bottom for exterior to secure with the provided blind screws.
5. Make sure ceramic is tight against wall!
6. Direct a GU10 globe into the globe holder, and twist to secure anti-clockwise.
7. Enjoy your We Ponder Glow.



EXTERIOR



REQUIREMENTS

1. The light fitting must be installed by a licensed electrician.
2. The wiring and installation of this light fitting must follow local and national wiring ruled - eg. AS/NZS 3000.
3. The interior wall light is suitable only for interior installation with an IP-20 rating.
4. The exterior wall light is both suitable for interior and exterior installation with an IP-33 rating.
5. Please refer to our Wet Area IP Zone Diagram for information on appropriate installation locations.