

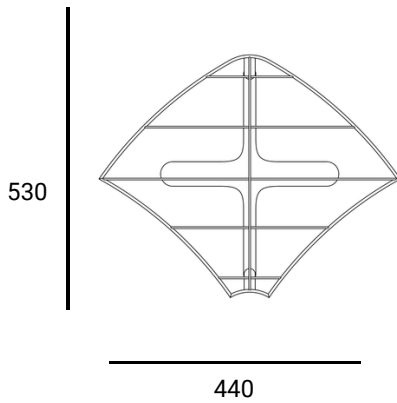


Social Impact Lighting – Taimer (Stingray)

This hand woven wall light is part of a collection of lights developed by Koskela in collaboration with the Moa Arts. The collaboration, a first of its kind, uses traditional weaving techniques to create a truly beautiful and contemporary design product. As each individual artist has complete freedom to interpret the form, each light is a one off and therefore entirely unique. The artists of Moa Arts are inspired by maalu (the sea that belongs to the land) and its creatures.

For Ngalya, the Moa artists and Koskela designers have developed two forms based on the majestic Eagle Ray, and smaller blue spotted stingray. Artist Josie Nawia states: “the many colours represents all the children, people from all walks of life and beliefs and cultures. No matter our culture, our background or our nationality, we all share a dream through our spiritual walk of life, that reflects through our heart and is woven through our art. With one heart, and many colours, we are the unique people. Although we are many, we are one.”

STANDARD



Material

Material varies shade to shade, All materials used in the creation of our social impact lighting pendants are either naturally harvested or reclaimed materials.

LAMP RATING

Voltage	24V
Frequency	18W

CORD LENGTH

2m woven flex

BULB TYPE

LED

BULB INCLUDED

Yes

DIMMABLE FUNCTION

No

CATEGORY

Pendant lamp

ENVIRONMENT

Indoor

COUNTRY OF PRODUCTION

Australia

CLEANING AND CARE

Made completely from natural or reclaimed materials, it is best for your lampshade to avoid harsh sunlight. Pandanus and bush string are also dyed using a variety of natural materials such as roots and berries. Over time, fading may occur. This is a process inherent to a natural product and should not be viewed as a fault. We suggest dusting lightly and regularly with a feather duster. Always switch off the electricity supply before cleaning.