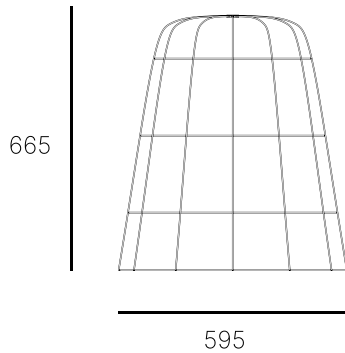




SOCIAL IMPACT LIGHTING - SPEC SHEET

This pendant lampshade range is a continuation of Koskela's social impact projects with Aboriginal and Torres Strait Islander art centres. Koskela has collaborated with the Yolngu weavers of Elcho Island Arts on Yuta Badayala (In A New Light), the Tjanpi Desert Weavers on Tili Wiru (Beautiful Light), and Moa Arts on Kapu Minaral (Beautiful Colours). All lights come with a Certificate of Authenticity. All Lights are made by artisans, each shade is different.

LARGE



MATERIAL

Material varies shade to shade, All materials used in the creation of our social impact lighting pendants are either naturally harvested or reclaimed materials.

LAMP RATING

Voltage 220-240V
Frequency 50/60Hz

CORD LENGTH

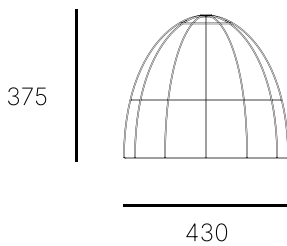
2m woven flex

BULB RECOMMENDATION

Bulb Type E27
Light source shape Round bulb
Max wattage See rating
Light source type LED

BULB TYPE
E27

MEDIUM



BULB INCLUDED

No

DIMMABLE FUNCTION

No

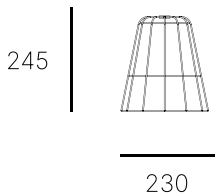
CEILING CAP INCLUDED

Yes

CLEANING AND CARE

Made completely from natural or reclaimed materials, it is best for your lampshade to avoid harsh sunlight. Pandanus and bush string are also dyed using a variety of natural materials such as roots and berries. Over time, fading may occur. This is a process inherent to a natural product and should not be viewed as a fault. We suggest dusting lightly and regularly with a feather duster. Always switch off the electricity supply before cleaning.

SMALL



CATEGORY

Pendant lamp

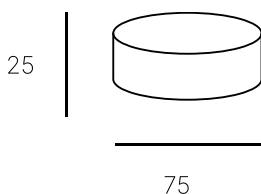
ENVIRONMENT

Indoor

COUNTRY OF PRODUCTION

Australia

CEILING CAP

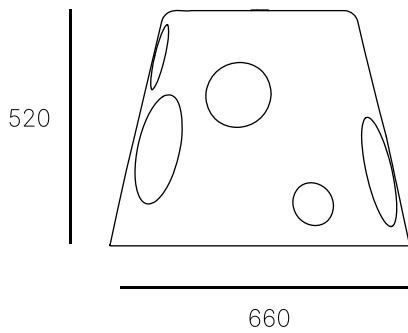




SOCIAL IMPACT LIGHTING - SPEC SHEET

This pendant lampshade range is a continuation of Koskela's social impact projects with Aboriginal and Torres Strait Islander art centres. Koskela has collaborated with the Yolngu weavers of Elcho Island Arts on Yuta Badayala (In A New Light), the Tjanpi Desert Weavers on Tili Wiru (Beautiful Light), and Moa Arts on Kapu Minaral (Beautiful Colours). All lights come with a Certificate of Authenticity. All Lights are made by artisans, each shade is different.

LARGE



MATERIAL

Material varies shade to shade, All materials used in the creation of our social impact lighting pendants are either naturally harvested or reclaimed materials.

LAMP RATING

Voltage 220-240V
Frequency 50/60Hz

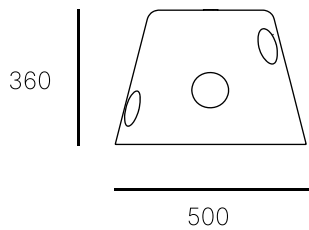
CORD LENGTH

2m woven flex

BULB RECOMMENDATION

Bulb Type E27
Light source shape Round bulb
Max wattage See rating
Light source type LED

MEDIUM



BULB INCLUDED

No

DIMMABLE FUNCTION

No

CLEANING AND CARE

Made completely from natural or reclaimed materials, it is best for your lampshade to avoid harsh sunlight. Pandanus and bush string are also dyed using a variety of natural materials such as roots and berries. Over time, fading may occur. This is a process inherent to a natural product and should not be viewed as a fault. We suggest dusting lightly and regularly with a feather duster. Always switch off the electricity supply before cleaning.

CEILING CAP INCLUDED

Yes

CATEGORY

Pendant lamp

ENVIRONMENT

Indoor

COUNTRY OF PRODUCTION

Australia

CEILING CAP

