

IMPORTANT!
DO NOT DESTROY

¡IMPORTANTE!
NO DESTRUIR



Installation and Maintenance Manual

with Safety Information
and Parts List

RECOMMENDED SPARE PARTS HIGHLIGHTED IN GRAY

Manual de Instalación y Mantenimiento

con Información sobre Seguridad
y Lista de Refacciones

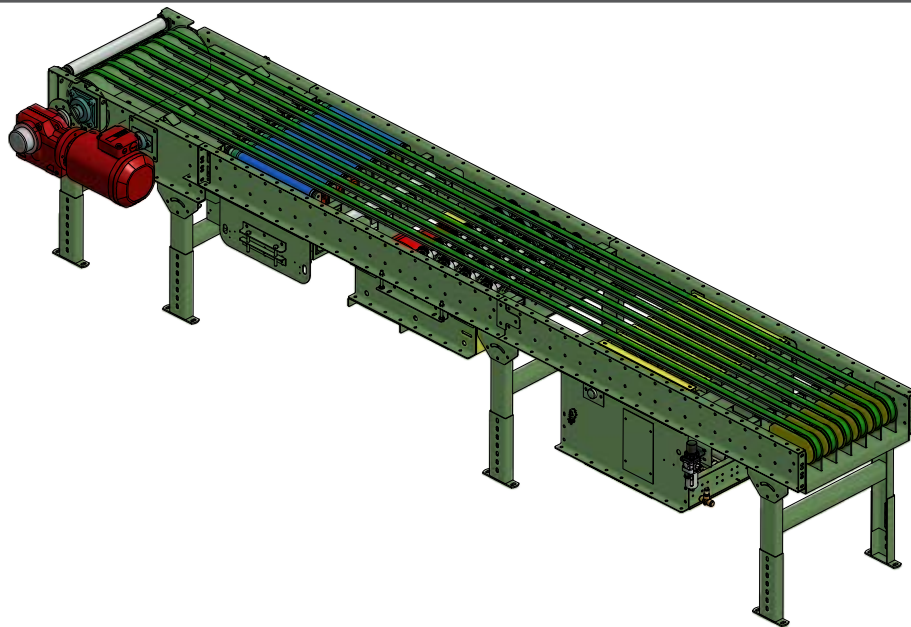
LAS REFACCIONES RECOMENDADAS SE RESALTAN EN GRIS

Model ProSort MRT

Effective November 2013

(Supercedes October 2007)

Bulletin #656



Hytrol Conveyor Co., Inc.

Jonesboro, Arkansas

© COPYRIGHT 2007-HYTROL CONVEYOR CO., INC.

PRESS OPTIMIZED FOR THE ENVIRONMENT
(IMPRESIÓN OPTIMIZADA PARA PROTEGER EL MEDIO AMBIENTE)

TABLE OF CONTENTS

INTRODUCTION

Receiving and Uncrating	2
How to Order Replacement Parts	2

SAFETY INFORMATION

Installation Safety Precautions	3
Operation Safety Precautions	3
Maintenance	3

INSTALLATION

Support Installation	4
Ceiling Hanger Installation	4
Conveyor Set-Up	4
Belt Installation	4, 5
Belt Replacement	5
Racked Sections	6

OPERATION

Conveyor Start-Up	6
-----------------------------	---

MAINTENANCE

Electrical Equipment	6
HyPowerCabling Installation	6,7
HyPowerCabling Components	7
Transfer Adjustment	8
Trouble Shooting	8
Maintenance Checklist	back cover

REPLACEMENT PARTS

ProSort MRT Parts Drawing	9
ProSort MRT Parts List	9
ProSort MRT Drive Parts Drawing	10
ProSort MRT Drive Parts List	10
ProSort MRT Take-Up Parts Drawing	11
ProSort MRT Take-Up Parts List	11
ProSort MRT Section Parts Drawing	12
ProSort MRT Section Parts List	12
ProSort MRT 90 Transfer Parts Drawing	13
ProSort MRT 90 Transfer Parts List	13
ProSort MRT 30 Transfer Parts Drawing	14
ProSort MRT 30 Transfer Parts List	14
HyPower Cabling Parts List and Drawing	15

Spanish Version	16
---------------------------	----

INTRODUCTION

This manual provides guidelines and procedures for installing, operating, and maintaining your conveyor. A complete parts list is provided with recommended spare parts highlighted in gray. Important safety information is also provided throughout the manual. For safety to personnel and for proper operation of your conveyor, it is recommended that you read and follow the instructions provided in this manual.

• Receiving and Uncrating

1. Check the number of items received against the bill of lading.
2. Examine condition of equipment to determine if any damage occurred during shipment.
3. Move all crates to area of installation.
4. Remove crating and check for optional equipment that may be fastened to the conveyor. Make sure these parts (or any foreign pieces) are removed.

NOTE: If damage has occurred or freight is missing, Contact your Hytrol Integration Partner.

• How to Order Replacement Parts

Included in this manual are parts drawings with complete replacement parts lists. Minor fasteners, such as nuts and bolts, are not included.

When ordering replacement parts:

1. Contact Dealer from whom conveyor was purchased or nearest HYTROL Integration Partner.
2. Give Conveyor Model Number and Serial Number or HYTROL Factory Order Number.
3. Give Part Number and complete description from Parts List.
4. Give type of drive. Example—8" End Drive, 8" Center Drive, etc.
5. If you are in a breakdown situation, tell us.



HYTROL Serial Number
(Located near Drive on Powered Models).

SAFETY INFORMATION

• Installation

GUARDS AND GUARDING

Interfacing of Equipment. When two or more pieces of equipment are interfaced, special attention shall be given to the interfaced area to insure the presence of adequate guarding and safety devices.

Guarding Exceptions. Whenever conditions prevail that would require guarding under these standards, but such guarding would render the conveyor unusable, prominent warning means shall be provided in the area or on the equipment in lieu of guarding.

Guarded by Location or Position. Where necessary for the protection of employees from hazards, all exposed moving machinery parts that present a hazard to employees at their work station shall be mechanically or electrically guarded, or guarded by location or position.

- Remoteness from frequent presence of public or employed personnel shall constitute guarding by location.
- When a conveyor passes over a walkway, roadway, or work station, it is considered guarded solely by location or position if all moving parts are at least 8 ft. (2.44 m) above the floor or walking surface or are otherwise located so that the employee cannot inadvertently come in contact with hazardous moving parts.
- Although overhead conveyors may be guarded by location, spill guards, pan guards, or equivalent shall be provided if the product may fall off the conveyor for any reason and if personnel would be endangered.

HEADROOM

- When conveyors are installed above exit passageways, aisles, or corridors, there shall be provided a minimum clearance of 6 ft. 8 in. (2.032 m) measured vertically from the floor or walking surface to the lowest part of the conveyor or guards.
- Where system function will be impaired by providing the minimum clearance of 6 ft. 8 in. (2.032 m) through an emergency clearance, alternate passageways shall be provided.
- It is permissible to allow passage under conveyors with less than 6 ft. 8 in. (2.032 m) clearance from the floor for other than emergency exits if a suitable warning indicates low headroom.

• Operation

A) Only trained employees shall be permitted to operate conveyors. Training shall include instruction in operation under normal conditions and emergency situations.

B) Where employee safety is dependent upon stopping and/or starting devices, they shall be kept free of obstructions to permit ready access.

C) The area around loading and unloading points shall be kept clear of obstructions which could endanger personnel.

D) No person shall ride the load-carrying element of a conveyor under any circumstances unless that person is specifically authorized by the owner or employer to do so. Under those circumstances, such employee shall only ride a conveyor which incorporates within its supporting structure platforms or control stations specifically designed for carrying personnel. Under no circumstances shall any person ride on any element of a vertical conveyor.

E) Personnel working on or near a conveyor shall be instructed as to the location and operation of pertinent stopping devices.

F) A conveyor shall be used to transport only material it is capable of handling safely.

G) Under no circumstances shall the safety characteristics of the conveyor be altered if such alterations would endanger personnel.

H) Routine inspections and preventive and corrective maintenance programs shall be conducted to insure that all safety features and

devices are retained and function properly.

I) Personnel should be alerted to the potential hazard of entanglement in conveyors caused by items such as long hair, loose clothing, and jewelry.

J) Conveyors shall not be maintained or serviced while in operation unless proper maintenance or service requires the conveyor to be in motion. In this case, personnel shall be made aware of the hazards and how the task may be safely accomplished.

K) Owners of conveyor should insure proper safety labels are affixed to the conveyor warning of particular hazards involved in operation of their conveyors.

CAUTION! Because of the many moving parts on the conveyor, all personnel in the area of the conveyor need to be warned that the conveyor is about to be started.

• Maintenance

- All maintenance, including lubrication and adjustments, shall be performed only by qualified and trained personnel.
- It is important that a maintenance program be established to insure that all conveyor components are maintained in a condition which does not constitute a hazard to personnel.
- When a conveyor is stopped for maintenance purposes, starting devices or powered accessories shall be locked or tagged out in accordance with a formalized procedure designed to protect all persons or groups involved with the conveyor against an unexpected start.
- Replace all safety devices and guards before starting equipment for normal operation.
- Whenever practical, DO NOT lubricate conveyors while they are in motion. Only trained personnel who are aware of the hazard of the conveyor in motion shall be allowed to lubricate.

Safety Guards

Maintain all guards and safety devices IN POSITION and IN SAFE REPAIR.

Safety Labels

In an effort to reduce the possibility of injury to personnel working around HYTROL conveying equipment, safety labels are placed at various points on the equipment to alert them of potential hazards. Please check equipment and note all safety labels. Make certain your personnel are alerted to and obey these warnings. See Safety Manual for examples of warning labels.

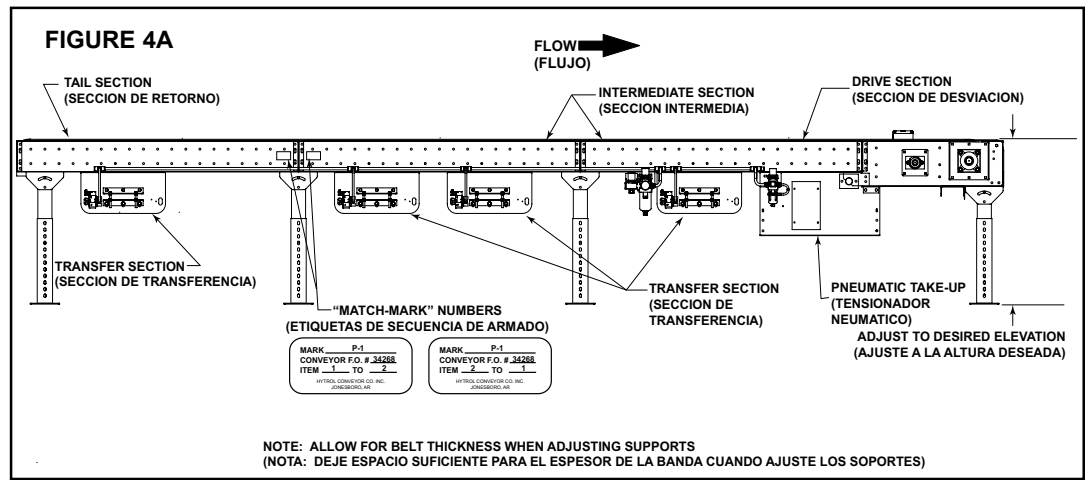
REMEMBER Do not remove, reuse or modify material handling equipment for any purpose other than it's original intended use.

CAUTION! Only trained personnel should track a conveyor belt which must be done while conveyor is in operation. DO NOT attempt to track belt if conveyor is loaded.

INSTALLATION

• Support Installation

1. Determine primary direction of product flow. Figure 4A indicates the preferred flow as related to the drive.
2. Refer to "Match-Mark" numbers on ends of conveyor sections. (Figure 4A) Position them in this sequence near the area of installation.
3. Attach supports to both ends of drive section and to one end of intermediate or tail sections (Figure 4A). Hand tighten bolts only at this time. Conveyors angle of incline will determine where the knee brace mounting brackets are to be placed when required.
4. Adjust elevation to required height.

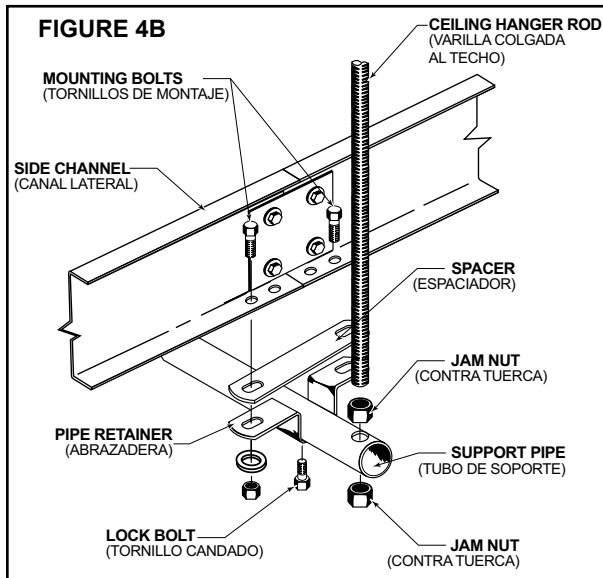


• Ceiling Hanger Installation

If conveyors are to be used in an overhead application, ceiling hangers may have been supplied in place of floor supports.

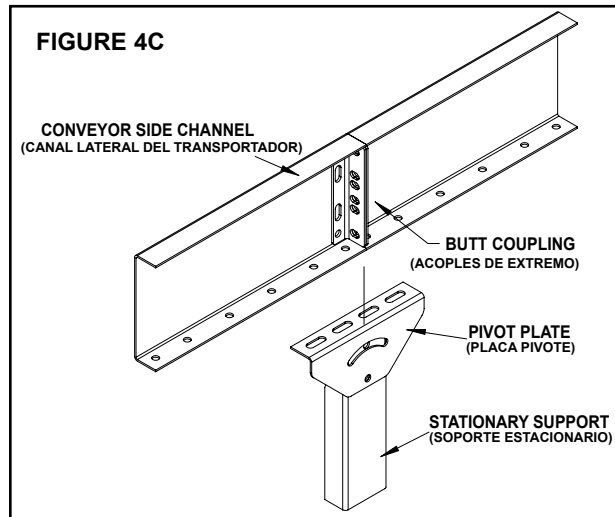
Figure 4B shows how a ceiling hanger mounts to a conveyor section. Ceiling hangers should be mounted at section joints. For safety information concerning conveyors mounted overhead, refer to "Installation Safety Precautions" on Pg 3.

NOTE: When installing ceiling hanger rods in an existing building, all methods of attachment must comply with local building codes.



• Conveyor Set-Up

1. Mark a chalk line on floor to locate center of the conveyor (Floor Mounted Conveyors).
2. Place the drive section in position.
3. Install remaining sections placing end without support on extend pivot plate of previous section (Figure 4A). Check "Match Mark" Numbers to see that adjoining sections are in proper sequence



4. Fasten sections together with butt couplings and pivot plates (Figure 4C). Hand tighten bolts only.
5. Check to see that conveyor is level across width and length of unit. Adjust supports and ceiling hangers as necessary.
6. Install electrical controls and wire motor. See page 7.

• Belt Installation

INSTALLING THE BELT

The conveyor drive belt is a green aramide continuous belt. To install belt follow directions below

WARNING: Do not install belt with power on, remove air to take-up .

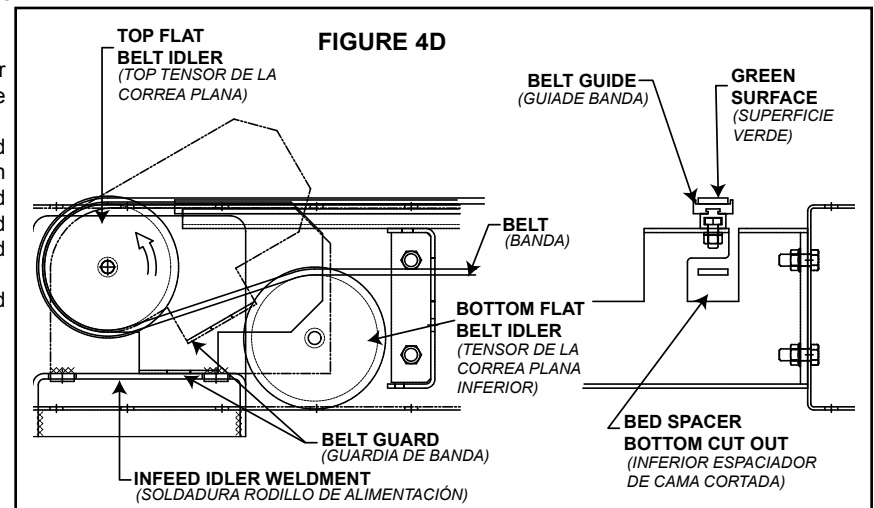
- NOTE: Belt will be wrapped around the discharge drive pulley
1. Unroll belt while inserting into the bottom cut out of bed spacer and into the belt guide at top. Green conveying surface should be showing at top. Make sure belt is not twisted in the process.
 2. Continue inserting belt from discharge to infeed. At infeed end remove bolt attaching belt guard to infeed idler weldment, Loosen bolt holding top flat belt idler to belt guard this will allow the guard to pivot which will make room for the belt to be wrapped around the top flat belt idler and snub over the bottom flat idler. Add bolt to belt guard and tighten top flat belt idler bolt (Figure 4D).
 3. Next go to the pneumatic take-up near discharge end and thread belt through take-up as shown in (Figure 5A).

BELT TENSION

Note: For maximum efficiency, maintain just enough belt tension so drive pulley will not slip when carrying the rated load. Over tightening of belts will cause premature failure.

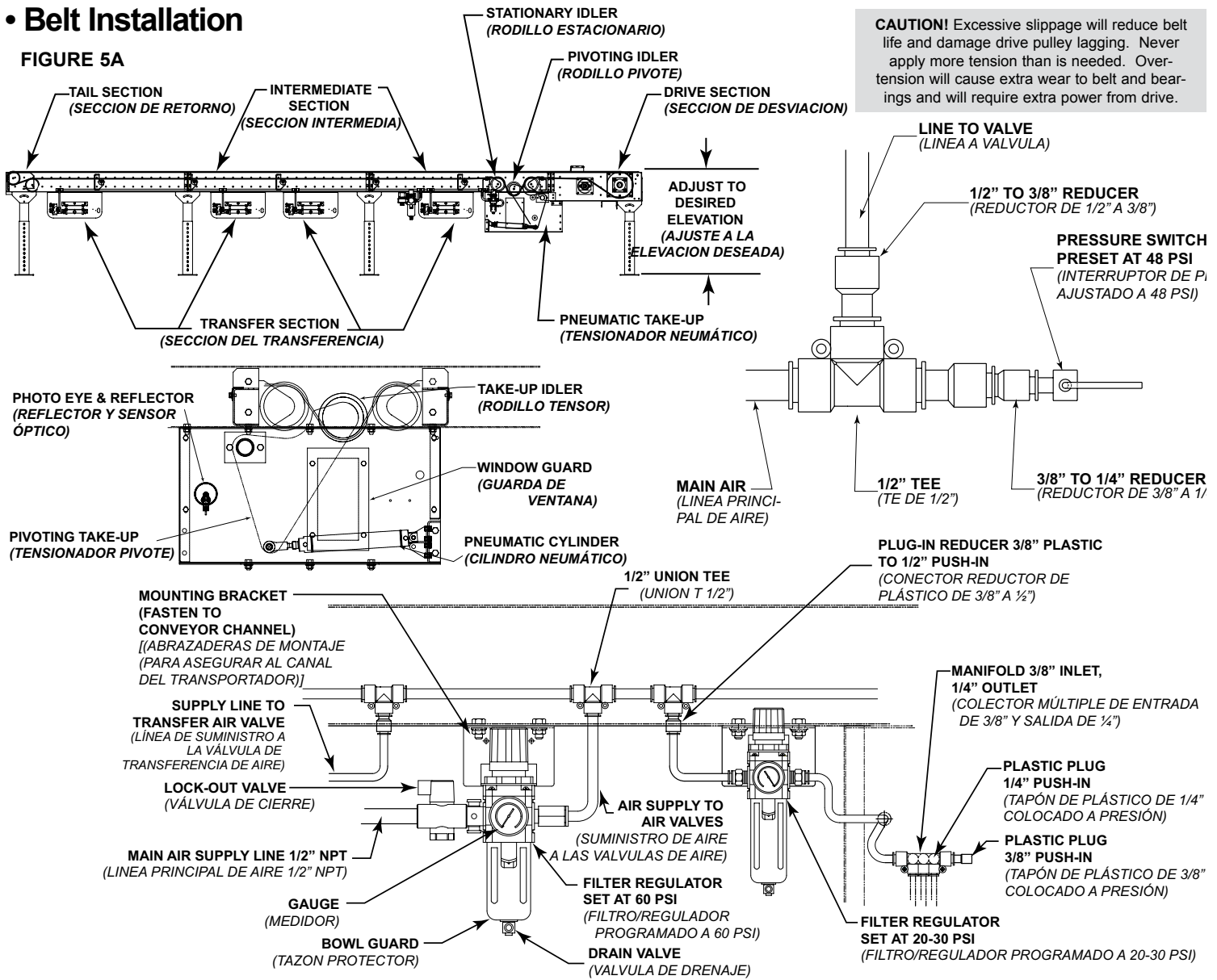
PNEUMATIC TAKE-UP:

The window guard can be removed to reveal the take-up idler position. The pneumatic take-up can be adjusted by increasing the pressure at the filter regulator (see Fig. 5A). Then operating pressure will be determined by the total length and unit load. Start with the pressure set at 20 psi. Increase by 2 psi until the drive pulley does not slip when carrying the rated load up to 30 psi. Replace all guards before operating.



• Belt Installation

FIGURE 5A

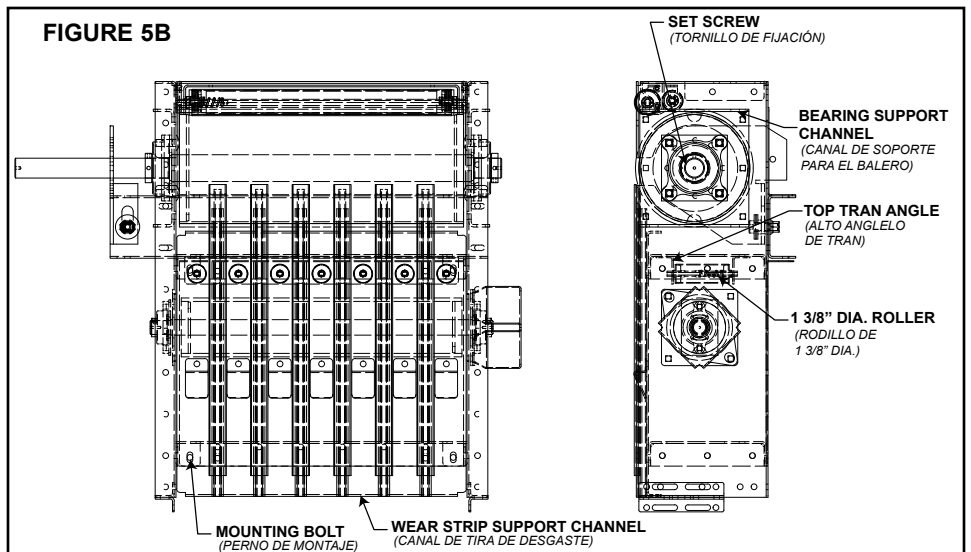


CAUTION! Excessive slippage will reduce belt life and damage drive pulley lagging. Never apply more tension than is needed. Over-tension will cause extra wear to belt and bearings and will require extra power from drive.

• Belt Replacement

WARNING: Do not replace belt with power on, remove air to take-up.

1. Remove (4) bolts holding wear strip support channel in place and remove channel by sliding toward discharge end of conveyor. (Figure 5B)
2. Remove top belt tran angle holding rollers in place
3. Remove 1-3/8" dia. rollers
4. Remove bearing support channel and bearing by removing hardware securing bearing support channel to drive channel. Next loosen set screw securing bearing to drive pulley shaft. Remove support channel and bearing
5. Thread belt around pulley.
6. Unroll belt while inserting into the bottom cut out of bed spacer and into the belt guide at top. Green conveying surface should be showing at top. Make sure belt is not twisted in the process.
7. Continue inserting belt from discharge to infeed. At infeed end remove bolt attaching belt guard to infeed idler weldment, loosen bolt holding top flat belt idler to belt guard this will allow the guard to pivot which will make room for the belt to be wrapped around the top flat belt idler and snub over the bottom flat belt idler. Add bolt to belt guard and tighten top flat belt idler bolt (Figure 4D).
8. Assemble 1-3/8" dia. Rollers along with top belt tran angle
9. Assemble wear strip support channel.
10. Reattach bearing support channel with bearing. tighten set screw in bearing.
11. Next go to the pneumatic take-up near discharge end and thread belt through take-up as shown in (Figure 5A).



• Racked Sections

It is important that each bed section be checked for a "racked" or out-of-square condition. If conveyor is not square, tracking problems will result. Figure 6A indicates a racked section.

TO CORRECT AN OUT-OF-SQUARE SECTION

1. Locate points on corners of section and measure distance "A" & "B". If the dimensions are not equal, the section will need to be squared. (Figure 6A).
2. Use crossbracing supplied on underside of conveyor to square each section. Adjust turnbuckle until Dimensions "A" & "B" are equal.
3. After all bed sections have been checked and corrected for "racked condition", tighten all butt couplings and pivot plate bolts.
4. Make final check to see that all conveyor sections are level across width and length. If entire conveyor is level, supports can be lagged to floor.

OPERATION

• Conveyor Start-Up

Before conveyor is turned on, check for foreign objects that may have been left inside conveyor during installation. These objects could cause serious damage during start-up. After conveyor has been turned on and is operating, check motors, reducers, and moving parts to make sure they are working freely.

CAUTION!

Because of the many moving parts on the conveyor, all personnel in the area of the conveyor need to be warned that the conveyor is about to be started.

MAINTENANCE

• Electrical Equipment

WARNING! Electrical controls shall be installed and wired by a qualified electrician. Wiring information for the motor and controls are furnished by the equipment manufacturer.

CONTROLS

Electrical Code: All motor controls and wiring shall conform to the National Electrical Code (Article 670 or other applicable articles) as published by the National Fire Protection Association and as approved by the American Standards Institute, Inc.

CONTROL STATIONS

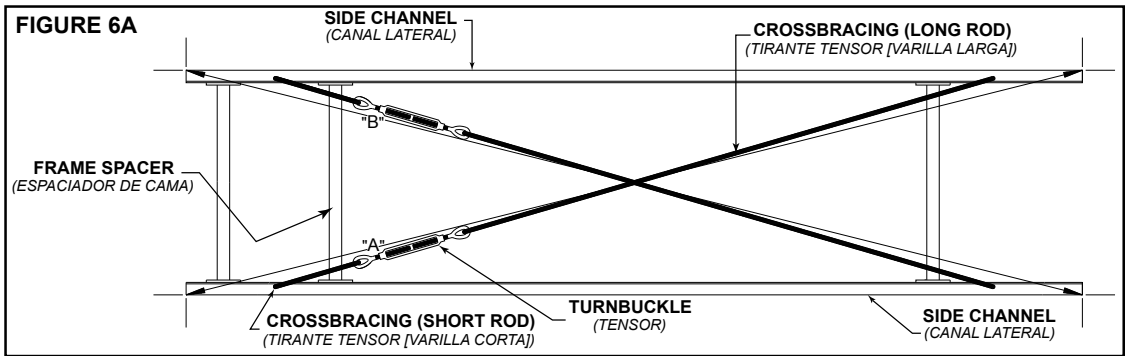
A) Control stations should be so arranged and located that the operation of the equipment is visible from them, and shall be clearly marked or labeled to indicate the function controlled.

B) A conveyor which would cause injury when started shall not be started until employees in the area are alerted by a signal or by a designated person that the conveyor is about to start.

When a conveyor would cause injury when started and is automatically controlled or must be controlled from a remote location, an audible device shall be provided which can be clearly heard at all points along the conveyor where personnel may be present. The warning device shall be actuated by the controller device starting the conveyor and shall continue for a required period of time before the conveyor starts. A flashing light or similar visual warning may be used in conjunction with or in place of the audible device if more effective in particular circumstances.

Where system function would be seriously hindered or adversely affected by the required time delay or where the intent of the warning may be misinterpreted (i.e., a work area with many different conveyors and allied devices), clear, concise, and legible warning shall be provided. The warning shall indicate that conveyors and allied equipment may be started at any time, that danger exists, and that personnel must keep clear. The warnings shall be provided along the conveyor at areas not guarded by position or location.

C) Remotely and automatically controlled conveyors, and conveyors where operator stations are not manned or are beyond voice and visual contact from drive areas, loading areas, transfer points, and other potentially hazardous locations on the conveyor path not guarded by location, position, or guards, shall be furnished with emergency stop buttons, pull cords, limit switches, or similar emergency stop devices.



All such emergency stop devices shall be easily identifiable in the immediate vicinity of such locations unless guarded by location, position, or guards. Where the design, function, and operation of such conveyor clearly is not hazardous to personnel, an emergency stop device is not required.

The emergency stop device shall act directly on the control of the conveyor concerned and shall not depend on the stopping of any other equipment. The emergency stop devices shall be installed so that they cannot be overridden from other locations.

D) Inactive and unused actuators, controllers, and wiring should be removed from control stations and panel boards, together with obsolete diagrams, indicators, control labels, and other material which serve to confuse the operator.

SAFETY DEVICES

A) All safety devices, including wiring of electrical safety devices, shall be arranged to operate in a "Fail-Safe" manner, that is, if power failure or failure of the device itself would occur, a hazardous condition must not result.

B) Emergency Stops and Restarts. Conveyor controls shall be so arranged that, in case of emergency stop, manual reset or start at the location where the emergency stop was initiated, shall be required of the conveyor(s) and associated equipment to resume operation.

C) Before restarting a conveyor which has been stopped because of an emergency, an inspection of the conveyor shall be made and the cause of the stoppage determined. The starting device shall be locked out before any attempt is made to remove the cause of stoppage, unless operation is necessary to determine the cause or to safely remove the stoppage.

Refer to ANSI Z244.1-1982, American National Standard for Personnel Protection – Lockout/Tagout of Energy Sources – Minimum Safety Requirements and OSHA Standard Number 29 CFR 1910.147 "The Control of Hazardous Energy (Lockout/Tagout)."

• HyPower Cabling Installation

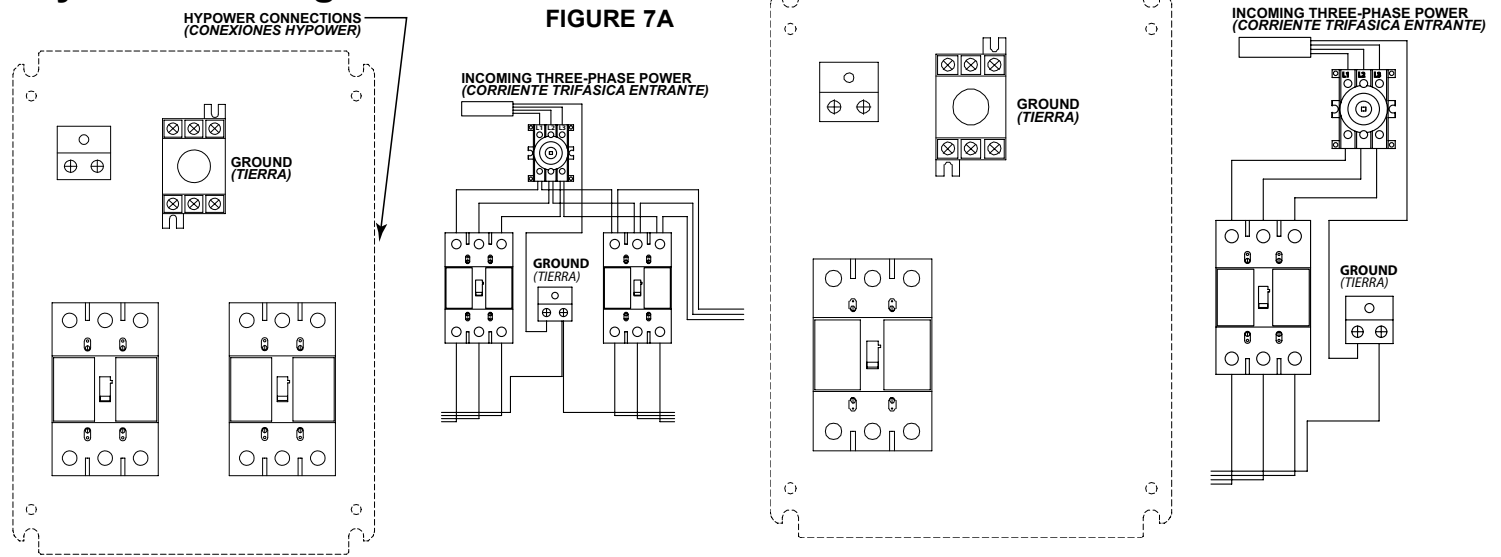
WARNING: Do not disconnect or connect any HyPower Cabling Components while under power!

1. All cabling connections are to be made without power on the system.
2. Connect three-phase electrical service to disconnect box. A single-sided disconnect requires a 15 Amp service, double-sided disconnect requires a 30 Amp service. (See Fig. 7A & 7B)
3. From the disconnect box connect the HyPower Extension Cable(s) to the HyPower T-Connector.
4. Connect the HyPower T-Connector to the Male HyPower Cable that is pre-wired to the VFD.
5. Connect the Female HyPower Cable on the VFD to the Male HyPower Cable pre-wired to the divert motor.
6. Connect the remaining Female connection on the T-Connector to the next divert zone on the conveyor and repeat steps 3 & 4 for each divert location.

IMPORTANT NOTE:

Electrical Code: All motor controls and wiring shall conform to the National Electrical Code (Article 670 or other applicable articles) as published by the National Fire Protection Association and as approved by the American Standards Institute, Inc. Subject to local code and local customer acceptance.

• HyPower Cabling Installation



• HyPower Cabling Components

Single-Sided Disconnect Box

This disconnect box has a 15 Amp service requirement and provides a disconnect means for up to 3 transfers at 230 volts or 6 transfers at 460 volts. The maximum distance for any motor from this disconnect box is 50'. Any distance over 50' requires an additional inline disconnect. (See Fig. 7B & 7C)

Double-Sided Disconnect Box

This disconnect box has a 30 Amp service requirement and provides a disconnect means for up to 6 transfers at 230 volts or 12 transfers at 460 volts. This disconnect box has the capability of covering 100' of conveyor when located in the middle of the span. Any motor further than 50' from the disconnect box requires an additional inline disconnect. (See Fig. 7A & 7D)

Double-Ended HyPower Extension Cable

Supplies power from the disconnect box down the conveyor to each HyPower T-Connector. (See Fig. 7C & 7D)

HyPower T-Connector

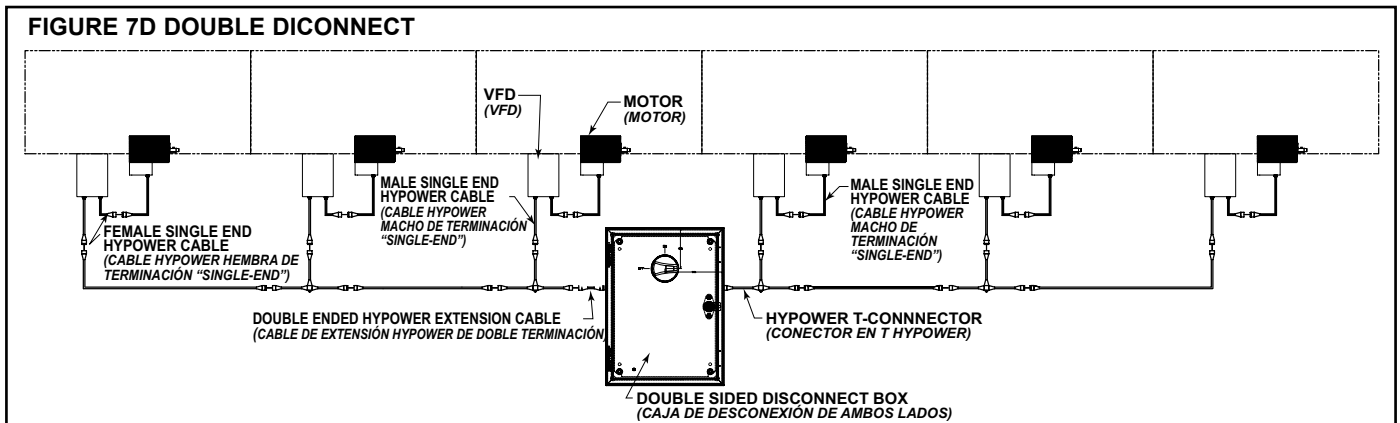
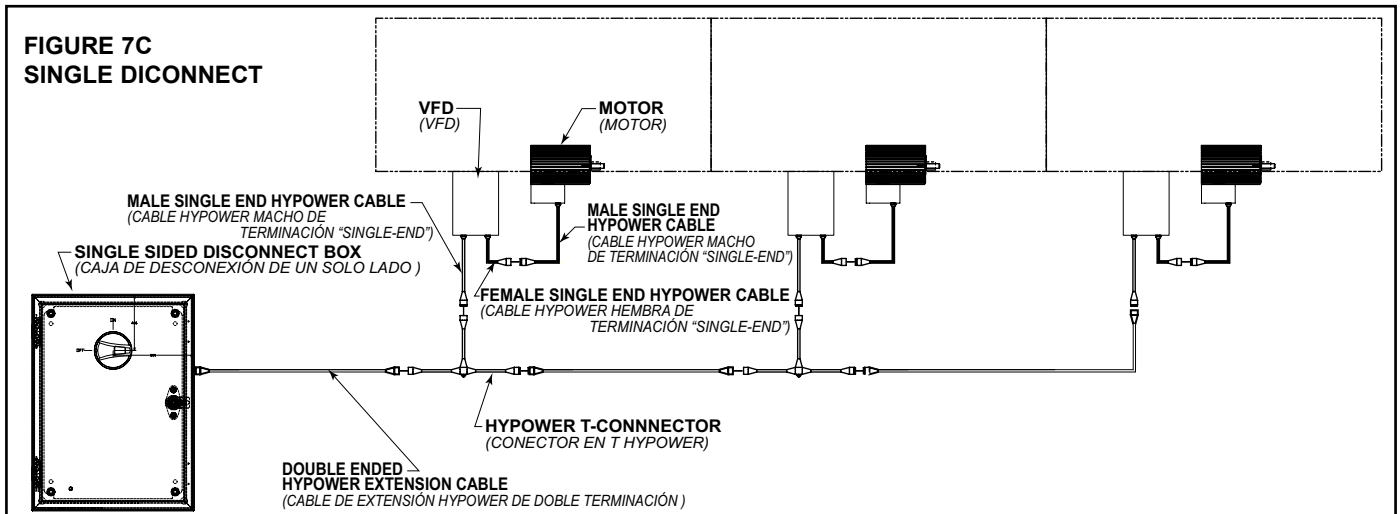
Power is supplied to the T-Connector via the Extension Cable. The T-Connector is used as a power drop for each Variable Frequency Drive and motor. (See Fig. 7C & 7D)

Male Single-End HyPower Cable

This cable will come pre-wired to each Variable Frequency Drive as well as to each divert motor. (See Fig. 7C & 7D)

Female Single-End HyPower Cable

This cable will come pre-wired to each Variable Frequency Drive and supplies power to each divert motor from the Variable Frequency Drive. (See Fig. 7C & 7D)



• Transfer Adjustment

1. The height of the transfer should be preset at factory.
2. The height of the transfer may be adjusted to proper height by raising or lowering the cylinder-mounting channel. Loosen 3/8 in. bolts holding the cylinder-mounting channel. Adjust using jack bolts, tighten 3/8 in. bolts.

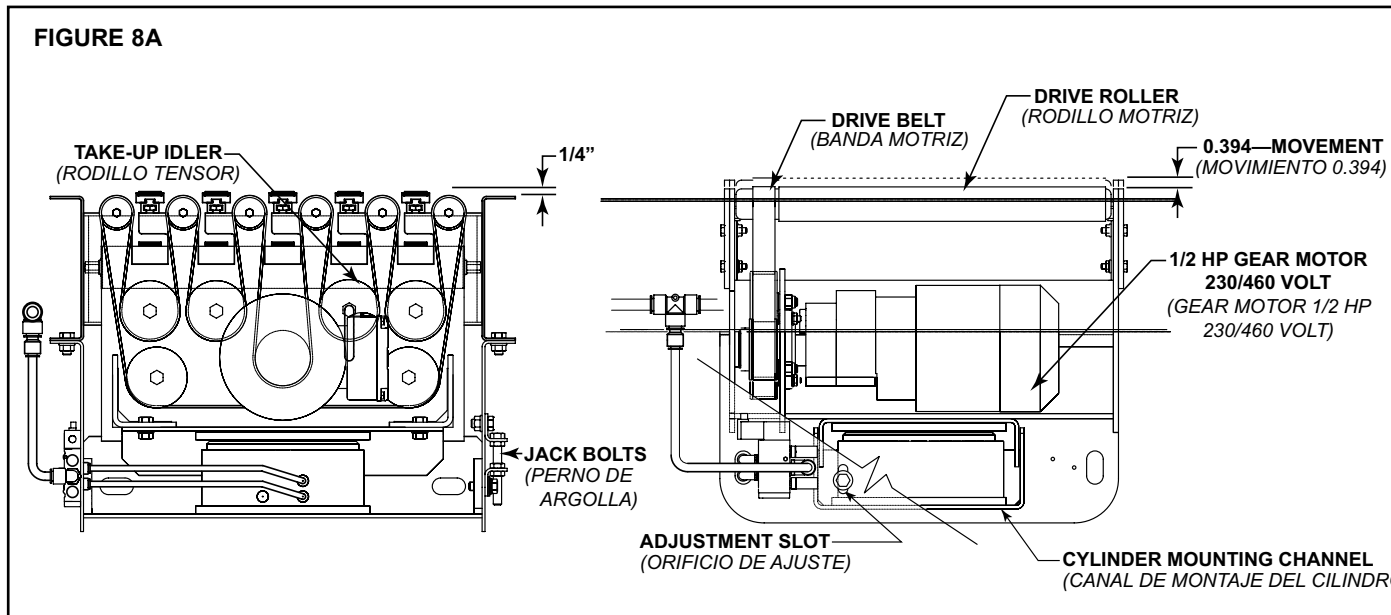
DRIVE BELT TENSION

1. Loosen 3/8" locknut holding take-up idler, tension belt by pushing take-up idler down, hand tight should be adequate. Tighten the 3/8" locknut on take-up idler (See Fig. 8A).
2. To remove belt the drive rollers must be removed (See Fig. 8A). Remove by pushing one side of the hex axle through the transfer support channel.

DRIVE ROLLER SPEED

To change the speed of the drive roller, turn round knob on the VFD (variable frequency drive).

NOTE: All transfer motors are 230 volts AC. When supplying 460 volts to the VFD, the drive will be programmed to have an output of 230 volts to the motors.

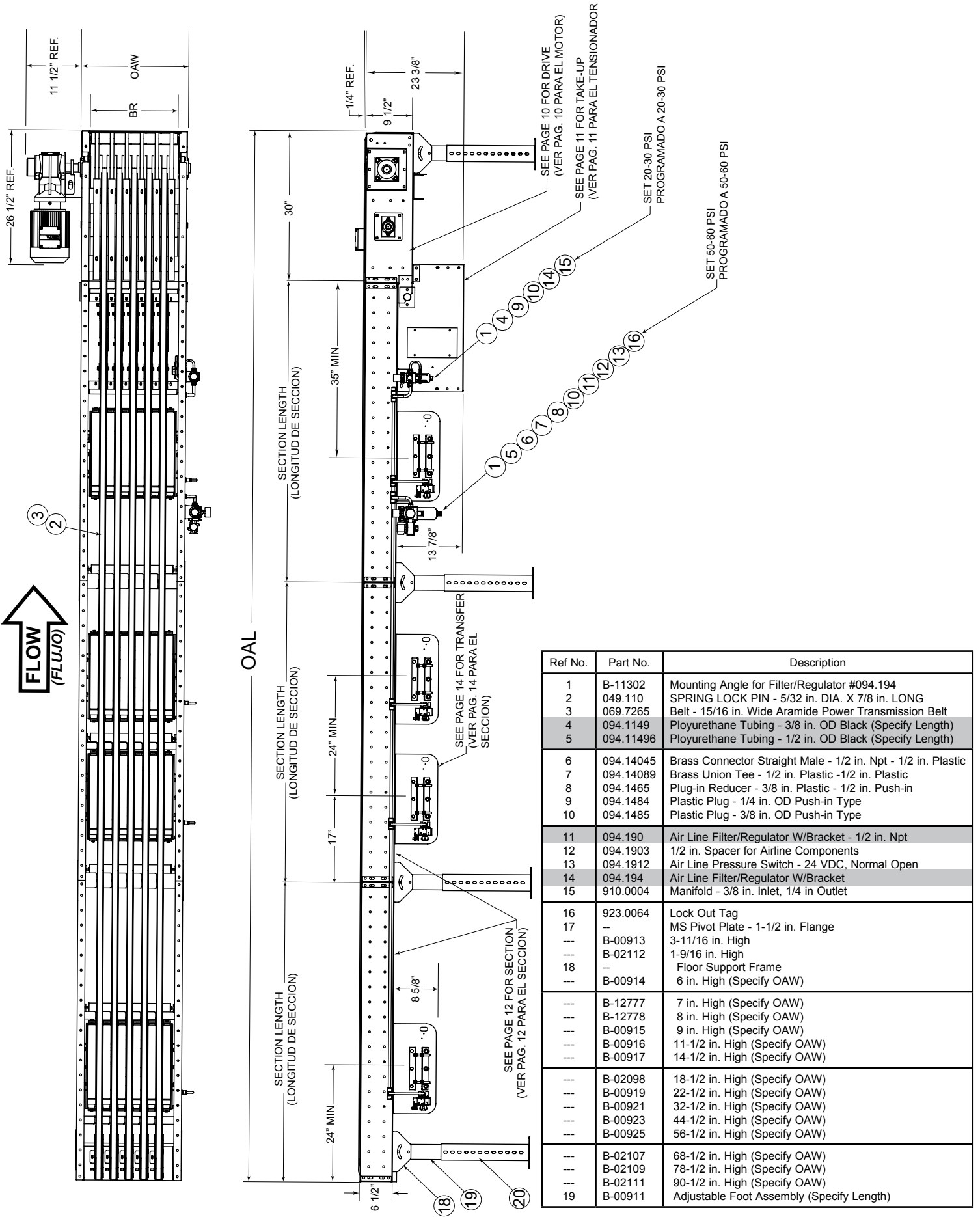


• Trouble Shooting

TROUBLE SHOOTING DRIVES		
TROUBLE	CAUSE	SOLUTION
Conveyor will not start or motor quits frequently.	1) Motor is overloaded. 2) Motor is drawing too much current.	1) Check for overloading of conveyor. 2) Check heater or circuit breaker and change if necessary
Drive belt wears excessively.	1) Belt is too loose.	1) Tighten belt. 2) Check pneumatic take-up (see below)
Loud popping or grinding noise.	1) Defective bearing.	1) Replace bearing.
Motor or reducer overheating.	1) Conveyor is overloaded. 2) Low voltage to motor. 3) Low lubricant level in reducer.	1) Check capacity of conveyor and reduce load to recommended level. 2) Have electrician check and correct as necessary. 3) Relubricate per manufacturer's recommendations.
Belt does not move, but drive runs.	1) Conveyor is overloaded. 2) Belt is too loose 3) Lagging on drive pulley is worn. 4) Worn Belt 5) Not enough take-up	1) Check capacity of conveyor and reduce load to recommended level. 2) Tighten belt. Check pneumatic take-up. (see below) 3) Replace drive pulley and tighten belt. 4) Replace belt and tighten belt 5) Add another take-up to conveyor
TROUBLE SHOOTING DRIVE BELT TRACKING		
TROUBLE	CAUSE	SOLUTION
Inoperative Transfer	1) No air pressure to cylinder 2) Air solenoid defective 3) No signal to solenoid or drive	1) Restricted or broken air line 2) Replace air solenoid 3) Have electrician check and correct as necessary
Transfer rollers not turning under loaded conditions	1) Transfer is overloaded. 2) Package flow obstructed by guard rail or other object. 3) Transfer Belt is loose. 4) Trantorque drive bushing loose.	1) Check capacity of Transfer and reduce load to recommended level. 2) Clear obstruction 3) Adjust transfer belt tension 4) Tighten trantorque bushing 1500 in lbs.
Transfer will not divert product	1) Transfer set too low 2) Dwell timing is too low	1) Adjust transfer height 2) have electrician check and correct as necessary.

• Model ProSort MRT Parts Drawing and Parts List

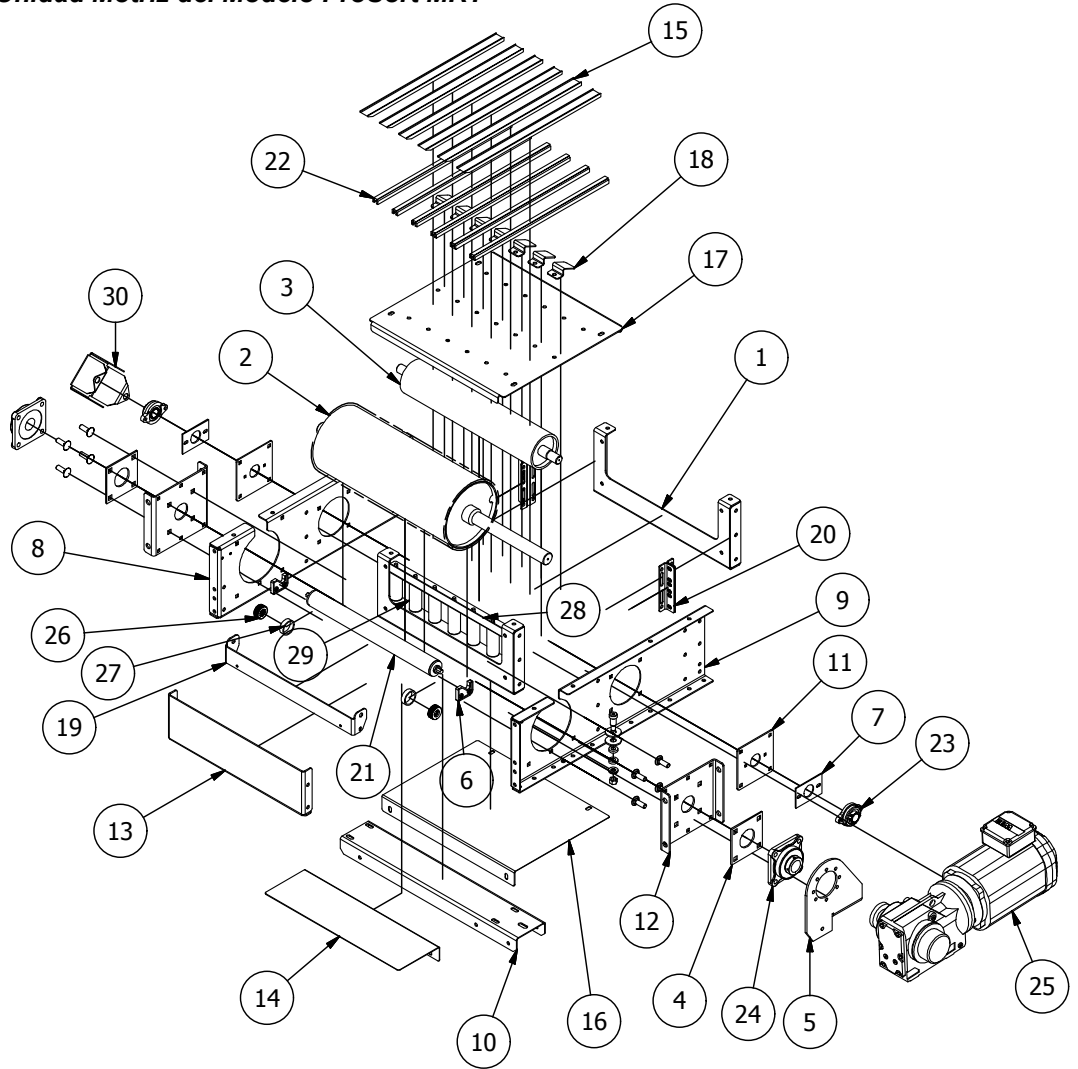
Dibujo de Partes del Modelo ProSort MRT



Ref No.	Part No.	Description
1	B-11302	Mounting Angle for Filter/Regulator #094.194
2	049.110	SPRING LOCK PIN - 5/32 in. DIA. X 7/8 in. LONG
3	069.7265	Belt - 15/16 in. Wide Aramide Power Transmission Belt
4	094.1149	Ployurethane Tubing - 3/8 in. OD Black (Specify Length)
5	094.11496	Ployurethane Tubing - 1/2 in. OD Black (Specify Length)
6	094.14045	Brass Connector Straight Male - 1/2 in. Npt - 1/2 in. Plastic
7	094.14089	Brass Union Tee - 1/2 in. Plastic -1/2 in. Plastic
8	094.1465	Plug-in Reducer - 3/8 in. Plastic - 1/2 in. Push-in
9	094.1484	Plastic Plug - 1/4 in. OD Push-in Type
10	094.1485	Plastic Plug - 3/8 in. OD Push-in Type
11	094.190	Air Line Filter/Regulator W/Bracket - 1/2 in. Npt
12	094.1903	1/2 in. Spacer for Airline Components
13	094.1912	Air Line Pressure Switch - 24 VDC, Normal Open
14	094.194	Air Line Filter/Regulator W/Bracket
15	910.0004	Manifold - 3/8 in. Inlet, 1/4 in Outlet
16	923.0064	Lock Out Tag
17	--	MS Pivot Plate - 1-1/2 in. Flange
--	B-00913	3-11/16 in. High
--	B-02112	1-9/16 in. High
18	--	Floor Support Frame
--	B-00914	6 in. High (Specify OAW)
--	B-12777	7 in. High (Specify OAW)
--	B-12778	8 in. High (Specify OAW)
--	B-00915	9 in. High (Specify OAW)
--	B-00916	11-1/2 in. High (Specify OAW)
--	B-00917	14-1/2 in. High (Specify OAW)
--	B-02098	18-1/2 in. High (Specify OAW)
--	B-00919	22-1/2 in. High (Specify OAW)
--	B-00921	32-1/2 in. High (Specify OAW)
--	B-00923	44-1/2 in. High (Specify OAW)
--	B-00925	56-1/2 in. High (Specify OAW)
--	B-02107	68-1/2 in. High (Specify OAW)
--	B-02109	78-1/2 in. High (Specify OAW)
--	B-02111	90-1/2 in. High (Specify OAW)
19	B-00911	Adjustable Foot Assembly (Specify Length)

• Model ProSort MRT Drive Parts Drawing and Parts List

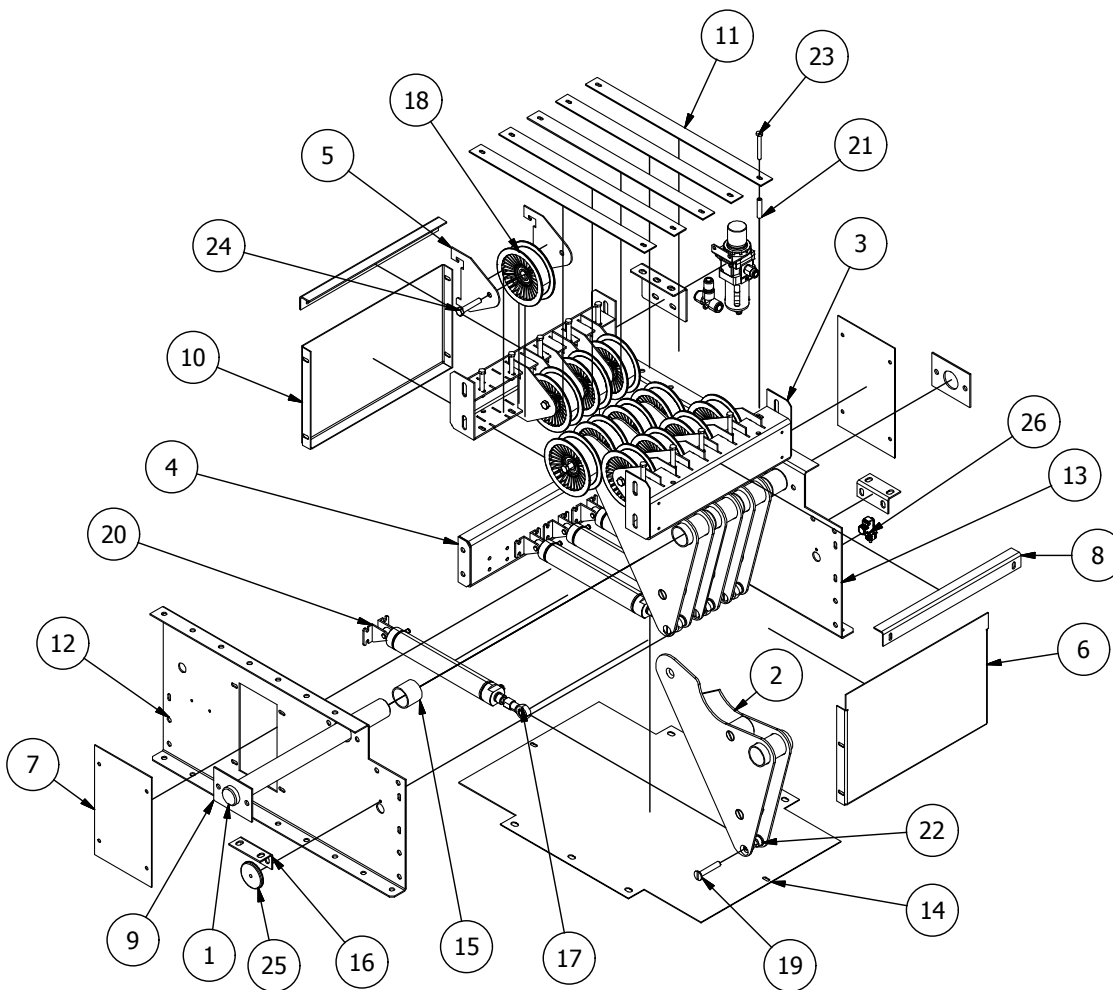
Dibujo de Partes de la Unidad Motriz del Modelo ProSort MRT



REF NO.	PART NO.	DESCRIPTION
1	WA-036553	BED SPACER CHANNEL WELDMENT (SPECIFY BR)
2	SA-038509	8 in. DIA. DRIVE PULLEY ASSEMBLY (SPECIFY BR)
3	WA-025843	4 in. DIA. PULLEY ASSEMBLY (SPECIFY BR)
4	PT-001465	BEARING SPACER - 4 BOLT
5	---	TORQUE ARM
---	PT-083789-R	TORQUE ARM - RIGHT HAND
---	PT-083789-L	TORQUE ARM - LEFT HAND
6	090.262	POP-OUT ROLLER BRACKET
7	PT-085857	BEARING SPACER - 2 BOLT
8	PT-126301-R	DRIVE SIDE CHANNEL - RIGHT HAND
9	PT-126301-L	DRIVE SIDE CHANNEL - LEFT HAND
10	PT-087065	TORQUE ARM CHANNEL (SPECIFY BR)
11	PT-087195	PULLEY MOUNTING PLATE
12	PT-087197	BEARING SUPPORT PLATE
13	PT-126305	END GUARD CHANNEL (SPECIFY BR)
14	PT-126308	BELT GUARD (SPECIFY BR)
15	PT-126309	BELT GUIDE WEARSTRIP
16	PT-126307	BOTTOM GUARD (SPECIFY BR)
17	PT-126306	WEARSTRIP SUPPORT CHANNEL (SPECIFY BR)
18	PT-127186	UNIVERSAL GUIDE RAIL
19	PT-126300	POP-OUT ROLLER BRACKET (SPECIFY BR)
20	B-03191	BUTT COUPLING ANGLE
21	B-20760	PRECISION ROLLER (SPECIFY BR)
22	B-18590-166	GUIDE RAIL EXTRUSION
23	010.0021	2-BOLT FLANGE BEARING - 1 in. BORE
24	010.203	4-BOLT FLANGE BEARING - 1-7/16 in. BORE
25	---	GEARMOTOR
26	024.14375	DIVERTER WHEEL
27	024.14376	DIVERTER WHEEL COVER
28	PT-126304	BELT TRAN ANGLE (SPECIFY BR)
29	B-25712-004	1-3/8 in. GALV ROLLER
30	PT-089907	ENCODER COVER

• Model ProSort MRT Pneumatic Take-Up Parts Drawing and Parts List

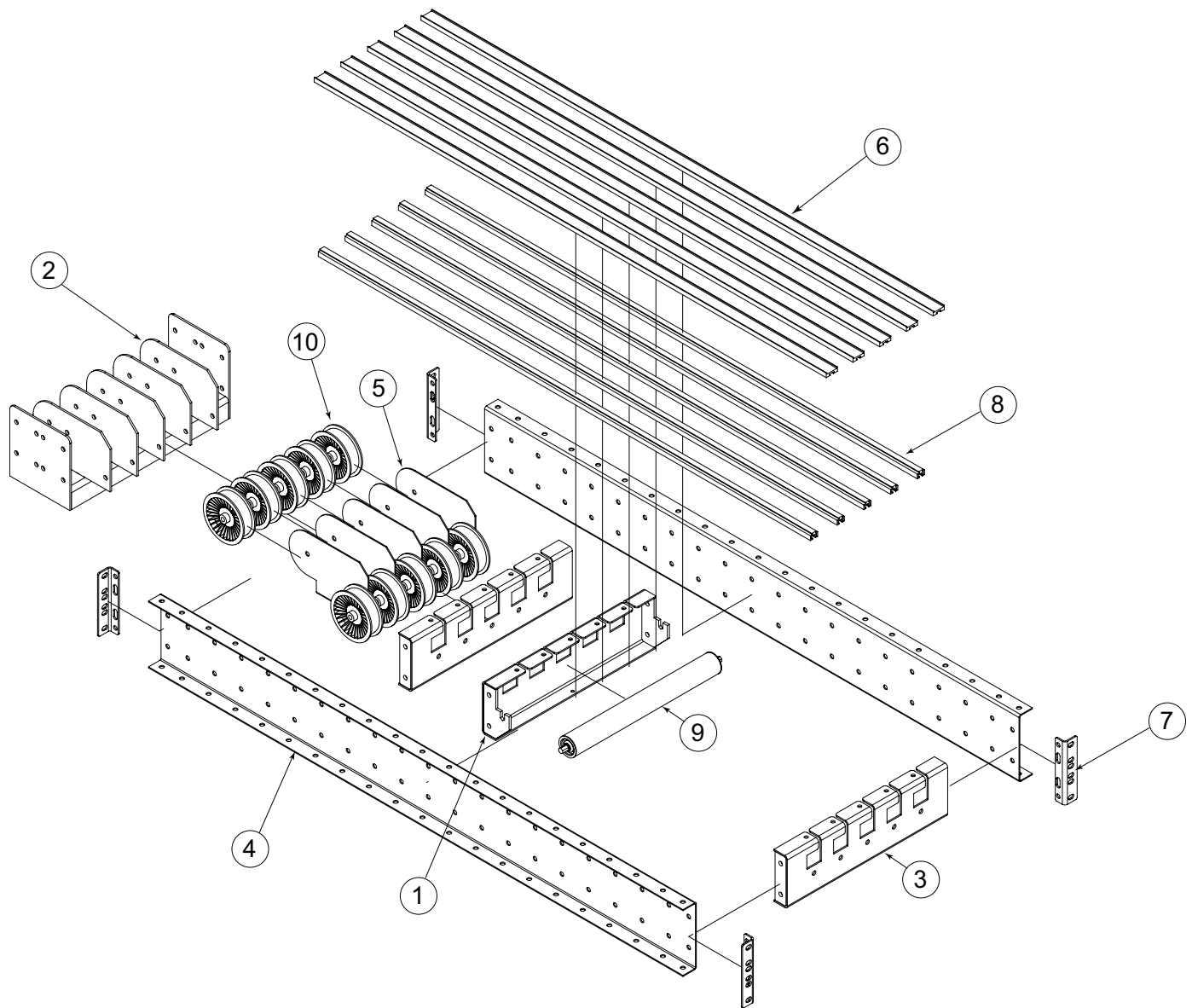
Dibujo de Partes del Tensionador del Modelo ProSort MRT



REF NO.	PART NO.	DESCRIPTION
1	WA-009141	PIVOT SHAFT WELDMENT (SPECIFY BR x 8)
2	WA-025823	PIVOT TAKE-UP WELDMENT
3	WA-025824	IDLER SUPPORT CHANNEL WELDMENT (SPECIFY BR)
4	WA-025833	CYLINDER MOUNTING CHANNEL WELDMENT (SPECIFY BR)
5	PT-032409	IDLER PLATE
6	---	SIDE GUARD "TALL"
---	PT-032637	FOR PNEUMATIC TAKE-UP (SPECIFY BR x 8)
---	PT-088414	FOR PNEUMATIC TAKE-UP "DRIVE END" (SPECIFY BR)
7	PT-032639	COVER PLATE
8	PT-032715	IDLER LOCKING ANGLE (SPECIFY BR x 8)
9	PT-032805	PIVOT SHAFT PLATE
10	PT-076346	SIDE GUARD "SHORT" (SPECIFY BR x 8)
11	PT-080115	IDLER GUARD 18-1/2 in. LONG
12	---	SIDE CHANNEL RIGHT HAND
---	PT-087018-R	FOR PNEUMATIC TAKE-UP
---	PT-088416-R	FOR PNEUMATIC TAKE-UP "DRIVE END"
13	---	SIDE CHANNEL LEFT HAND
---	PT-087018-L	FOR PNEUMATIC TAKE-UP
---	PT-088416-L	FOR PNEUMATIC TAKE-UP "DRIVE END"
14	PT-088226	BOTTOM GUARD (SPECIFY BR)
15	B-09226-017	1.7 in. OD HR TUBE - 2-1/8 BR
16	PT-088406	SUPPORT ANGLE
17	019.224	FEMALE ROD END - 7/16 - 20 RH THREADS
18	024.156	FLAT BELT IDLER - 4 in. DIA. X 1 in. WIDE x 3/8 in. BORE
19	042.2044	3/8-16 x 2-1/4 in. LONG FLAT HEAD BOLT
20	094.121508	AIR CYLINDER - 8 in. STROKE x 1-1/2 in. BORE
21	098.1064	ALUMINUM SPACER - 1-5/8 in. LONG
22	098.150	SPACER - 406 in. ID x .750 in. OD x .375 in. LONG
23	040.1041	1/4-20 x 2-1/4 in. LONG HEX HEAD CAP SCREW
24	040.306	3/8-16 x 2 in. LONG HEX HEAD CAP SCREW
25	032.218	REFLECTOR
26	941.650201	PHOTO EYE

• Model ProSort MRT Section Parts Drawing and Parts List

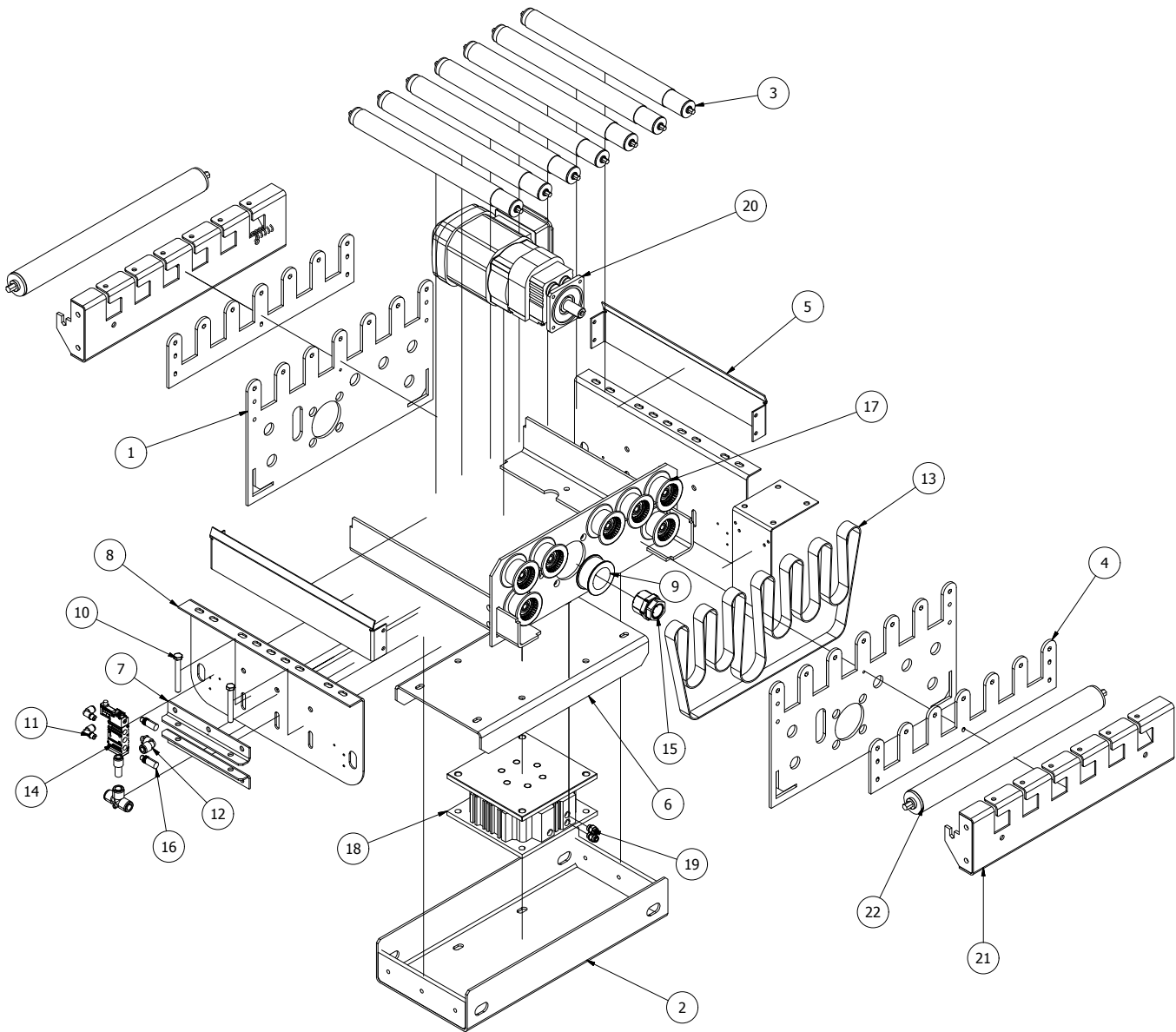
Dibujo de Partes de Sección del Modelo ProSort MRT



REF NO.	PART NO.	DESCRIPTION
1	WA-025804	Brace Channel Weldment (Specify BR x 8)
2	WA-025834	Tail Idler Weldment (Specify BR x 8)
3	WA-025999	Brace Channel Weldment "Discharge End" (Specify BR x 8)
4	PT-087011	Side Channel - 6-1/2 in. High (Specify Length)
5	PT-087223	Belt Guard
6	PT-088292	Belt Guide Wearstrip - Inter/Tail Section (Specify Length)
7	B-03191	Butt Coupling Angle
8	B-18590	Guide Rail Extrusion - Inter/Tail Section (Specify Length)
9	B-20760	1.9 in. OD Galv Return Roller - ABEC-1 (Specify BR -1-1/4 x 8)
10	024.157	Flat Belt Idler 4 in. Dia. X 1-1/4 in. Wide x 3/4 in. Bore

• Model ProSort MRT 90° Transfer Parts Drawing and Parts List

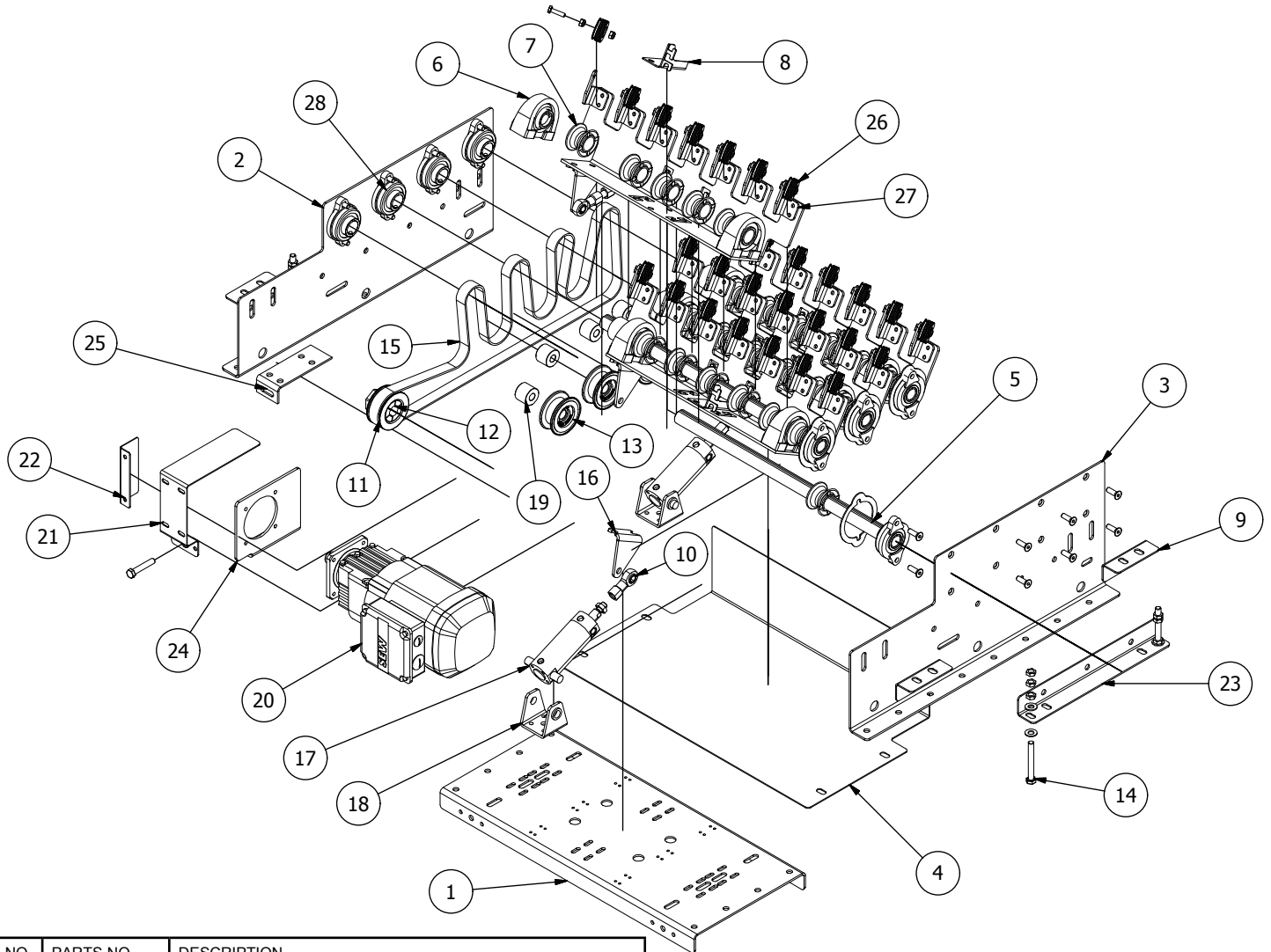
Dibujo de Partes de 90° Transferencia del Modelo ProSort MRT



REF NO.	PART NO.	DESCRIPTION
1	WA-025802	ROLLER FRAME WELDMT (SPECIFY BR)
2	WA-025817	BASE CHANNEL WELDMT (SPECIFY BR)
3	SA-036881-137	VULCANIZED 138 ROLLER ASSEMBLY - 17- 1/8 in. BR
4	PT-086781	SPACER PLATE (SPECIFY BR)
5	PT-086812	TRANSFER ROLLER GUARD - 17 in. LONG
6	PT-086818	TRANSFER CROSS CHANNEL (SPECIFY BR)
7	PT-086833	CROSS ANGLE - 8- 1/2 in. LONG
8	PT-087017	SIDE CHANNEL - 18 in. LONG
9	024.15502	FLAT BELT DRIVE WHEEL
10	040.309	3/8 -16 x 3 in. LONG HEX BOLT-FULLY THREADED
11	094.1406	PLASTIC ELBOW - MALE, 360 DEG. SWIVEL 1/4 in. TO 1/8 in. NPTF
12	094.14079	PLASTIC ELBOW - MALE, 360 DEG. SWIVEL 3/8 in. TO 1/8 in. NPTF
13	---	FLEXPROOF ENDLESS BELT - 1 in. WIDE
---	069.72215	15 in. BR
---	069.72218	18 in. BR
---	069.72221	21 in. BR
---	069.72224	24 in. BR
---	069.72227	27 in. BR
14	094.10795	4-WAY SINGLE SOLENOID AIR VALVE
15	099.128420	KEYLESS BUSHING - 20mm ID x 45mm OD
16	923.0059	MUFFLER - 1/8 in. NPT
17	923.00975	FLAT BELT IDLER - 2- 3/4 in. DIA. X 1.4 in. WIDE
18	923.01022	GUIDE TABLE - 100mm BORE, 20mm STROKE
19	923.0104	UNFIT FITTING - 1/4 in. TUBE - 1/4 in. PORTS
20	300.0322	GEARMOTOR - 1/2 hp, 230/460/3, 462 rpm
21	WA-025804	NOTCHED BRACE CHANNEL WELDMT (SPECIFY BR)
22	B-20760	GALVANIZED ROLLER ASSEMBLY - 1.9 in. OD (SPECIFY BR)

• Model ProSort MRT 30° Transfer Parts Drawing and Parts List

Dibujo de Partes de 30° Transferencia del Modelo ProSort MRT

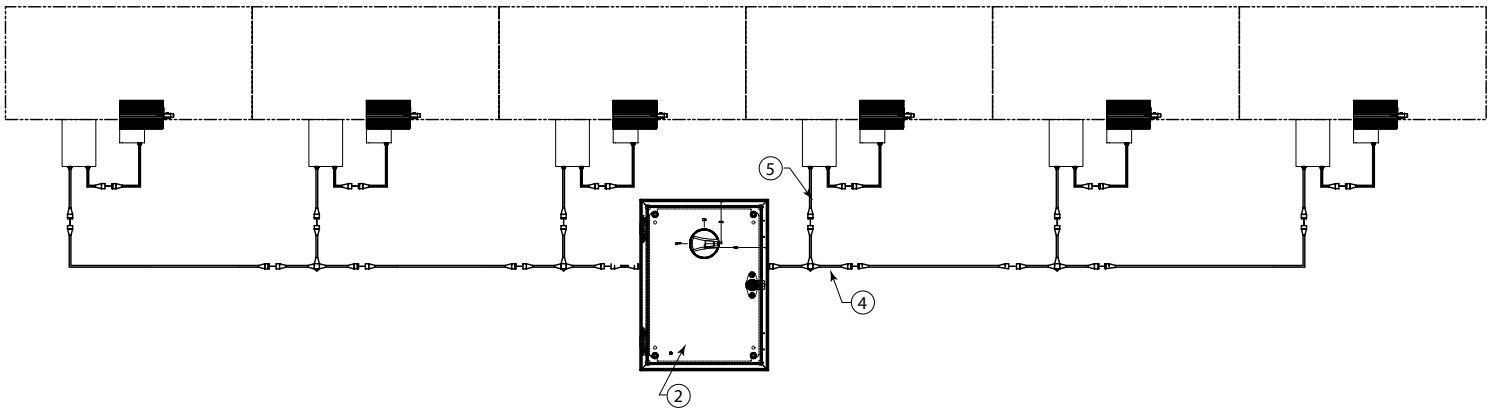
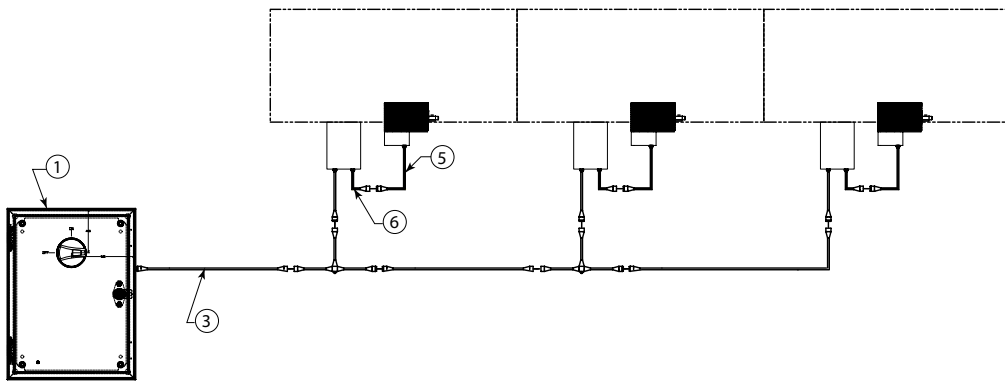


REF NO.	PARTS NO.	DESCRIPTION
1	PT-112594	CYLINDER SUPPORT CHANNEL (SPECIFY BR)
2	---	DIVERTER SUPPORT ANGLE
---	PT-118430-R	DIVERTER SUPPORT ANGLE - RH, 15 in. BR
---	PT-112587-R	DIVERTER SUPPORT ANGLE - RH, 18-27 in. BR
3	---	DIVERTER SUPPORT ANGLE
---	PT-118430-L	DIVERTER SUPPORT ANGLE - LH, 15 in. BR
---	PT-112587-L	DIVERTER SUPPORT ANGLE - LH, 18-27 in. BR
4	PT-112611	BOTTOM GUARD (SPECIFY BR)
5	B-17611	DRIVE SHAFT - FULL KEYWAY (SPECIFY BR)
6	010.351	TAPPED BASE PILLOW BLOCK
7	094.4101	DRIVE SPOOL - 2 in. DIA.
8	PT-112263	SPARE O-RING HOLDER
9	PT-112634	DIVERTER ATTACHMENT ANGLE
10	019.224	FEMALE ROD END - 7/16 - 20 RH THREADS
11	024.15502	FLAT 1 in. BELT DRIVE WHEEL - 2-1/2 in. DIA.
12	099.128420	KEYLESS BUSHING - 20mm ID x 45mm OD
13	024.158	FLAT BELT IDLER - 2-3/4 in. DIA. X 1.15 in. WIDTH
14	040.309	3/8-16 x 3 in. LONG HEX BOLT - FULL THREAD
15	069.72487	FLEXPROOF ENDLESS BELT - 3/16 in. WIDTH x 86 in. LENGTH
16	PT-111452	DIVERTER PIVOT ANGLE - 30 DEGREE
17	094.10652	AIR CYLINDER - 2 in. STROKE, 40mm BORE
18	094.106521	TRUNNION BRACKET FOR AIR CYLINDER 40mm
19	098.1675	SPACER - 0.515 in. ID x 1.25 in. OD x 1 in. LENGTH
20	300.03225	GEARMOTOR - 1/2 hp, 230/460/3, 462 rpm
21	PT-111510	SIDE GUARD
22	PT-111852	END GUARD
23	PT-112499	DIVERTER TAKE-UP ANGLE
24	---	MOTOR SUPPORT ANGLE
---	PT-112586-R	MOTOR SUPPORT ANGLE - RH
---	PT-112586-L	MOTOR SUPPORT ANGLE - LH (SHOWN)
25	PT-112633	BELT TAKE-UP ANGLE
26	024.14375	DIVERTER WHEEL 1.75in. DIA.
27	PT-106162	DIVERT WHEEL SUPPORT ANGLE
28	010.0021	2-BOLT FLANGE BEARING - 1 in. BORE

• HyPower Cabling Parts List and Drawing

Lista y Dibujo de Partes del Cableado HyPower

REF NO.	PART NO.	DESCRIPTION
1	EB-000001	Single-Sided Disconnect Box
2	EB-000002	Double-Sided Disconnect Box
3	---	Double-Ended HyPower Extension Cable
---	941.430301	Double-Ended HyPower Extension Cable - 1 Meter
---	941.430302	Double-Ended HyPower Extension Cable - 2 Meter
---	941.430303	Double-Ended HyPower Extension Cable - 3 Meter
---	941.430306	Double-Ended HyPower Extension Cable - 6 Meter
4	941.430200	HyPower T-Connector
5	941.430101	Male Single-Ended HyPower Cable
6	941.430001	Female Single-Ended HyPower Cable



ÍNDICE

INTRODUCCIÓN

Recepción y Desembalaje	16
Cómo Ordenar Refaccionamiento	16
INFORMACIÓN DE SEGURIDAD	16, 17
INSTALACIÓN	
Instalación de Soportes	17
Instalación de Soportes a Techo	17
Montaje del Transportador	17
Instalación de la Banda	18
Reemplazo de Banda	19
Secciones Descuadradas	19
OPERACIÓN	
Arranque del Transportador	19
Equipo Eléctrico	19
Instalación de la Cableado HyPower	20
Componentes de Cableado HyPower	20, 21
Alineación de la Transferencia	21
MANTENIMIENTO	
Resolviendo Problemas	22
Lista de Mantenimiento Preventivo	Cubierta Posterior
PARTES DE REFACCIONAMIENTO	
Dibujo de Partes del Modelo ProSort MRT	9
Dibujo de Partes de la Unidad Motriz	10
Dibujo de Partes del Tensionador	11
Dibujo de Partes de Sección	12
Dibujo de Partes de 90° Transferencia	13
Dibujo de Partes de 30° Transferencia	14
Lista y Dibujo de Partes del Cableado HyPower	15

INTRODUCCIÓN

Este manual proporciona información para instalar, operar y dar mantenimiento a su transportador. Se proporciona una lista completa de partes, con el refaccionamiento recomendado resaltado en gris. También se proporciona información importante de seguridad a lo largo de este manual. Para seguridad del personal y para un mejor funcionamiento del transportador, se recomienda que se lean y se sigan cada una de las instrucciones proporcionadas en este manual.

• Recepción y Desembalaje

1. Verifique el número de partes recibidas con respecto al conocimiento del embarque.
2. Examine las condiciones del equipo para determinar si algún daño ha ocurrido durante el transporte.
3. Traslade todo el equipo al área de instalación.
4. Remueva todos los empaques y verifique si hay partes adicionales que puedan estar sujetas al equipo. Asegúrese de que estas partes (u otras partes ajenas al equipo) sean removidas.

• Cómo Ordenar Refaccionamiento

En este manual encontrará dibujos de las partes con listas completas de las refacciones. Partes pequeñas, como tornillos y tuercas no están incluidos. Para ordenar refaccionamiento:

1. Contacte al representante que le vendió el transportador o el distribuidor de Hytrol más cercano.
2. Proporcione el Modelo del Transportador y el Número de Serie o Número de la Orden de Fabricación.
3. Proporcione el Número de las partes y descripción completa que aparece en la Lista de Partes.
4. Proporcione el tipo de motor. Ejemplo- Unidad Motriz en Extremo Final de 8", Unidad Motriz Central de 8", etc.
5. Si su equipo se encuentra en una situación crítica, comuníquese con nosotros inmediatamente.

NOTA: Si algún daño ha ocurrido o faltan partes, contacte a su integrador Hytrol.



Hytrol Conveyor Company, Inc.

JONESBORO, ARKANSAS

SERIAL # 978747

Refaccionamiento Recomendado se Resalta en Gris

Número de Serie HYTROL (Localizado cerca de la Unidad Motriz en Modelos motorizados).

INFORMACIÓN DE SEGURIDAD

• Instalación

PROTECCIÓN Y SEGURIDAD

Interfaz de los equipos. Cuando dos o más piezas de equipo son interconectadas, se deberá prestar especial atención a la zona de la interfaz para asegurar la presencia de guardas y dispositivos de seguridad adecuados.

Localización o posición. Para procurar la protección de los trabajadores ante los riesgos, todas las partes móviles expuestas de la maquinaria deberán ser aseguradas mecánica o eléctricamente, o protegidas mediante el cambio de localización o posición.

- La presencia alejada del público o empleado constituirá una medida de seguridad por ubicación.
- Cuando el transportador esté instalado sobre pasillos, corredores o estaciones de trabajo; se considera protegido únicamente por localización o posición si todas las partes en movimiento están mínimo a 8 pies (2,44 m) por encima del piso o área de tránsito. De otra manera se pueden ubicar de tal manera que los empleados no entren en contacto con partes móviles peligrosas sin querer.
- Aunque los transportadores aéreos pueden estar protegidos por su ubicación, deben proporcionarse guardas para evitar derrames: guardas laterales e inferiores; Esto si el producto puede caerse del transportador y así mantener al personal fuera de peligro.

ESPACIO LIBRE SUPERIOR

- Cuando los transportadores son instalados sobre pasillos, salidas o corredores; se deberá disponer de un espacio libre mínimo de 6 pies 8 pulgadas (2,032 m), medido verticalmente desde el suelo o mezanine a la parte más baja del transportador o de las guardas
- Cuando el funcionamiento del sistema sea afectado al guardar la distancia mínima de 6 pies 8 pulgadas (2,032 m), deberán autorizarse pasillos alternos de emergencia.
- Es posible permitir el paso bajo transportadores con menos de 6 pies 8 pulgadas (2,032 m) desde el piso, con excepción de las salidas de emergencia. Para esto se requiere una señalización apropiada que indique altura baja.

• Operación

- A) Sólo los empleados capacitados están autorizados a operar los transportadores. El entrenamiento debe incluir: operación bajo condiciones normales y en situaciones de emergencia.
- B) Cuando la seguridad de los trabajadores dependa de dispositivos de paro y/o arranque, tales dispositivos deben mantenerse libres de obstrucciones para permitir un acceso rápido.
- C) El área alrededor de los puntos de carga y descarga deberá mantenerse libre de obstrucciones que puedan poner en peligro al personal.
- D) Ninguna persona podrá viajar en el elemento de carga de un transportador sin excepción; al menos que esta persona esté específicamente autorizado por el propietario o el empleador. En esas circunstancias, el empleado deberá montarse solamente en un transportador que tenga incorporado en sus plataformas de estructura de soporte o estaciones de control especialmente diseñadas para el transporte de personal. Esto no es permisible en un transportador vertical.
- E) El personal que trabaja con un transportador, o cerca de uno; debe ser notificado de la ubicación y operación de los dispositivos de paro pertinentes.
- F) Un transportador debe ser usado únicamente para transportar el material que es capaz de cargar.
- G) Las indicaciones de seguridad del transportador no deben ser alteradas bajo ninguna circunstancia, especialmente si esto pone en peligro al personal.
- H) Las Inspecciones de rutina, así como el mantenimiento correctivo y preventivo deben ser llevados a cabo de modo que todos los dispositivos e indicaciones de seguridad sean respetados y funcionen adecuadamente.
- I) El personal debe ser notificado del peligro potencial que puede ser causado en los transportadores debido al uso de cabello largo, ropa holgada y joyería.
- J) Nunca se debe dar mantenimiento o servicio a un transportador mientras se encuentre en operación, a menos que el mantenimiento o servicio apropiado lo requiera. En este caso, el personal debe ser notificado del peligro que esto representa y de cómo se puede llevar a cabo el procedimiento de la manera más segura.
- K) Los dueños de los transportadores deben asegurarse de que las etiquetas de seguridad se encuentren colocadas sobre el transportador, indicando los peligros que implica la operación de sus equipos.

¡PRECAUCIÓN! Debido a que el transportador contiene muchas partes en movimiento, todo el personal que se encuentra en el área debe ser notificado cuando el equipo esté a punto de arrancar.

• Mantenimiento

Todo mantenimiento, incluyendo lubricación y ajustes, debe ser llevado a cabo únicamente por personal entrenado y calificado.

Es importante que el programa de mantenimiento establecido asegure que todos los componentes del transportador reciban el mantenimiento en condiciones que

no constituyan un peligro para el personal.

Cuando un transportador es detenido para propósitos de mantenimiento, los dispositivos de arranque y de potencia deben ser asegurados o etiquetados de acuerdo a un procedimiento formalizado diseñado para proteger a todas las personas o grupos que trabajan con el transportador en caso de que ocurra algún arranque inesperado.

Verifique todos los dispositivos y guardas de seguridad antes de arrancar el equipo para una operación normal.

Aunque parezca práctico, nunca lubrique los transportadores mientras se encuentren en movimiento. Sólo el personal capacitado que conoce de los peligros de un transportador en movimiento puede realizar la lubricación.

Guardas de seguridad

Mantenga todas las guardas y dispositivos de seguridad en su posición y en buenas condiciones.

INSTALACIÓN

• Instalación de Soportes

1. Determine la dirección del flujo del producto. La figura 17A indica la dirección del flujo con respecto a la unidad motriz.

2. Refiérase a las etiquetas de secuencia de armado situadas en los extremos del transportador. (Fig. 17A). Posicione las secciones en secuencia, cerca al área de instalación.

3. Coloque soportes en ambos extremos de la sección motriz y en uno de los extremos de las secciones intermedias y de retorno (Fig. 17A). Apriete manualmente los tornillos. En los transportadores RBI, el ángulo de inclinación determinará la localización de los refuerzos de soportes cuando estos sean necesarios.

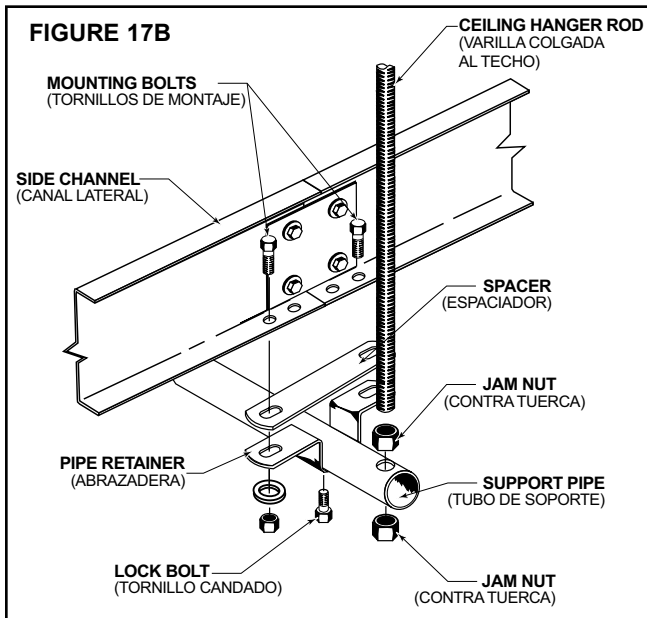
4. Ajuste la elevación a la altura requerida

• Instalación de Soportes a Techo

En lugar de los soportes a piso, pudieron haber sido suministrados los soportes a techo para transportadores, para aplicaciones aéreas o en alturas.

La figura 17B muestra cómo se instala un soporte a techo en un transportador. Los soportes deben montarse en la unión de las secciones. Para información de seguridad respecto al montaje de transportadores aéreos, refiérase a "Información de Seguridad al Instalar" en la página 16-17.

NOTA: Cuando se instalan varillas de soporte a techo en una edificación existente, todos los métodos de unión deben cumplir con los códigos locales de construcción.

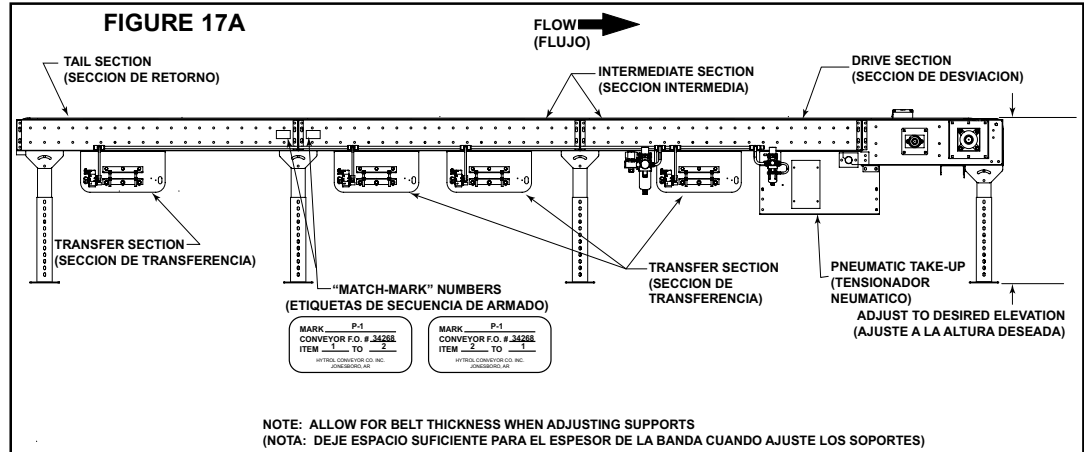


Etiquetas de seguridad

Etiquetas de seguridad han sido ubicadas en diferentes puntos del equipo para alertar de los peligros potenciales existentes; esto en un esfuerzo por reducir la posibilidad de lesiones en el personal que trabaja alrededor de un transportador HYTROL. Por favor, revise el equipo e identifique todas las etiquetas de seguridad. Asegúrese de que el personal conozca y obedezca estas advertencias. Refiérase al manual de seguridad para ver ejemplos de etiquetas de advertencias.

¡RECUERDE! No remueva, reúse o modifique el material que incluye el equipo para ningún propósito que no sea para el que fueron diseñados originalmente.

¡PRECAUCIÓN! Sólo personal capacitado debe manipular la dirección de una banda del transportador, lo cual debe hacerse mientras el transportador se encuentra en movimiento. No intente direccionar la banda si el transportador está cargado.



• Montaje del Transportador

1. Marque con tiza una línea en el suelo para ubicar el centro del transportador (Para Transportadores anclados al piso).

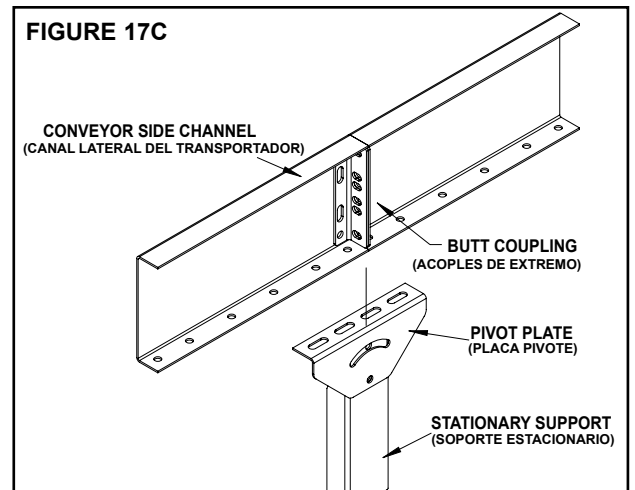
2. Coloque la sección motriz en posición.

3. Instale las secciones restantes. Coloque el extremo sin soporte en la base superior del soporte de la sección anterior (Fig. 17A). Verifique la secuencia de armado para asegurar que las secciones adyacentes se encuentren en la posición correcta.

4. Asegure las secciones con placas de unión y las bases superiores de los soportes (Fig. 17C). Apriete los tornillos manualmente.

5. Compruebe que el transportador está nivelado a lo ancho y largo de la unidad. Ajuste los soportes y los soportes colgantes a techo según sea necesario.

6. Instale los controles eléctricos y conecte el motor.



• Instalación de Banda

INSTALANDO LA BANDA

La correa de transmisión del transportador es una cinta continua de aramida verde. Para instalar la correa siga las instrucciones a continuación

ADVERTENCIA: No instale la correa con la cámara encendida, quitar el aire de recogida.

NOTA: correa se envuelve alrededor de la polea de la descarga

1. Desenrolle la cinta mientras se inserta en la parte inferior del separador de la cama y en la guía del cinturón en la parte superior. Superficie de transporte verde se debe mostrar en la parte superior. Asegúrese de que la correa no esté torcida en el proceso

2. Siga insertando la correa comenzando de la zona de descarga hacia la zona de inicio. Al extremo de zona de inicio, quitar tornillo que liga protector de la correa de soldadura rodillo de alimentación, Afloje el perno que sostiene la parte superior tensor de la correa plana para protección de la correa que esto permitirá que el guardia de pivote que dejar espacio para el cinturón que se envuelve alrededor de la polea de correa plana superior y chata sobre el tensor de la correa plana inferior. Añadir perno protector de la correa y apriete la tapa plana del perno tensor de la correa (Figure 18A).

3. Luego vaya a la neumática de recogida cerca del extremo de descarga y pisar la correa a través de recogida, como se muestra en la (Figure 17A).

TENSIÓN DE LA BANDA

Nota: Para obtener la máxima eficiencia, mantener la tensión de la correa sólo lo suficiente que la polea motriz no se deslice cuando se lleva la carga nominal. El apriete excesivo de los cinturones de provocar un fallo prematuro.

AJUSTE NEUMÁTICO

Las rejillas de seguridad se puede quitar para revelar la posición del rodillo de recogida. El neumático de recogida se puede ajustar mediante el aumento de la presión en el regulador de filtro (véase la fig. 17A). A continuación, la presión de funcionamiento será determinado por la longitud total y la unidad de carga. Comience con la presión fijada en 10 psi. Aumentar en un 2 psi hasta que la polea motriz no se resbale al transportar la carga nominal. Vuelva a colocar todos los guardias antes de operar.

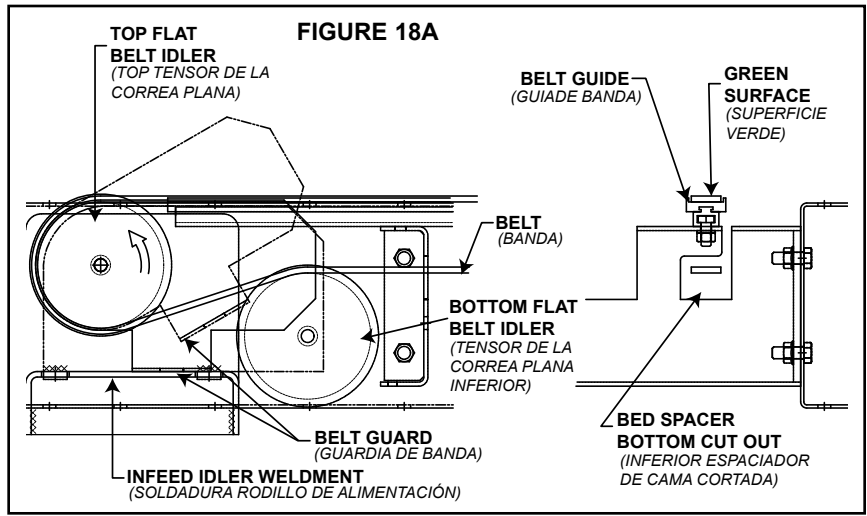
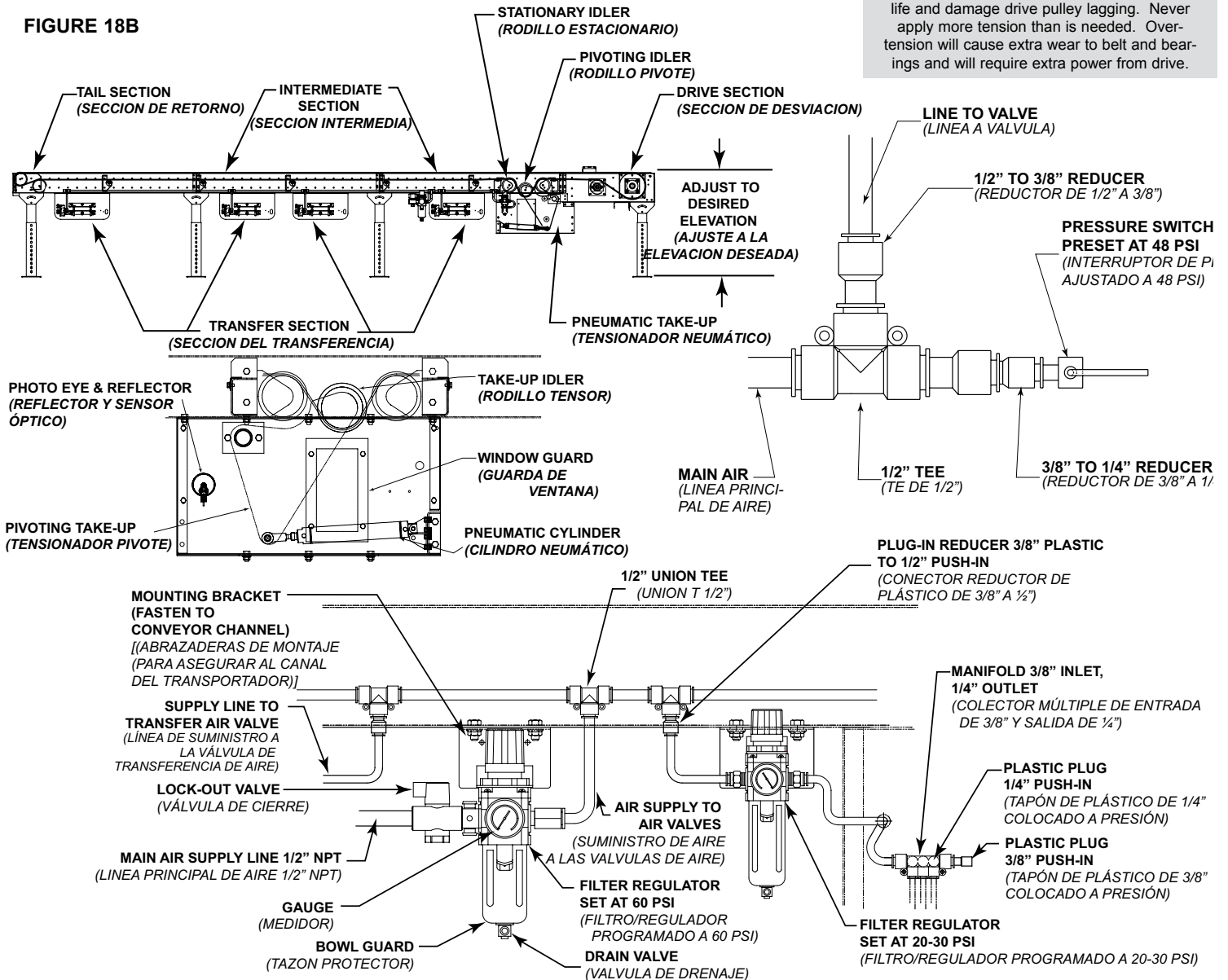


FIGURE 18B



CAUTION! Excessive slippage will reduce belt life and damage drive pulley lagging. Never apply more tension than is needed. Over-tension will cause extra wear to belt and bearings and will require extra power from drive.

• Reemplazo de Banda

ADVERTENCIA: No cambie la correa con la cámara encendida, quitar el aire de recogida.

1. Retire (4) pernos que sujetan el desgaste canal de soporte de la banda en su lugar y retire canal deslizando hacia el extremo de descarga del transportador.
2. Retire la correa superior tran ángulo rodillos de sujeción en su lugar
3. Retire los rodillos 1-3/8 día.
4. Retire canal de soporte del cojinete y el cojinete quitando asegurar hardware canal de soporte de cojinete para conducir canal. A continuación afloje el tornillo de sujeción de cojinete al eje de accionamiento de polea. Eliminar canal de soporte y cojinete
5. Rodadura cinturón alrededor de la polea.
6. Desenrolle la cinta mientras se inserta en la parte inferior del separador de la cama y en la guía del cinturón en la parte superior. Superficie de transporte verde se debe mostrar en la parte superior. Asegúrese de que la correa no esté torcida en el proceso.
7. Siga insertando la correa de la aprobación de la gestión de alimentación. Al extremo de alimentación Retire el perno adjuntando protector de la correa de soldadura rodillo de alimentación, Afloje el perno que sostiene la parte superior tensor de la correa plana para protección de la correa que esto permitirá que el guardia de pivote que dejar espacio para el cinturón que se envuelve alrededor de la polea de correa plana superior y chata sobre el inferior tensor de la correa plana. Añadir perno protector de la correa y apriete la tapa plana del perno tensor de la correa (Figura 18A).
8. Ensamble Rodillos 1-3/8 día., junto con la parte superior del cinturón ángulo tran
9. Ensamble canal de desgaste soporte de la banda.
10. Vuelva a colocar canal de soporte del cojinete con rodamiento. Apriete el tornillo de fijación en el soporte.
11. Luego vaya a la neumática de recogida cerca del extremo de descarga y pisar la correa a través de recogida, como se muestra en la (Figura 18B).

• Secciones Descuadradas

Es importante revisar que las secciones estén encuadradas. Si el transportador no está encuadrado, pueden presentarse problemas de alineación. La Figura 19B muestra una sección descuadrada.

PARA CORREGIR UNA SECCION DESCUADRADA

1. Localice puntos en las esquinas de la sección y mida la distancia "A" y "B". Si las dimensiones no son iguales, la sección necesitará ser ajustada (Figura 19B).
2. Use el tirante tensor transversal ubicado en la parte inferior del transportador para encuadrar cada sección. Ajuste el tensor hasta que las dimensiones "A" y "B" sean iguales.
3. Después de que todas las secciones hayan sido verificadas y corregidas, apriete todos los tornillos de las placas de unión y de la base superior del soporte.
4. Haga un chequeo final para verificar que todas las secciones del transportador estén niveladas a lo ancho y a lo largo. Si todo el transportador está nivelado, los soportes pueden ser anclados al suelo.

OPERACIÓN

• Arranque del Transportador

Antes de poner en marcha el transportador, revise si hay objetos ajenos que puedan haber sido dejados dentro del transportador durante la instalación. Estos objetos pueden causar serios daños durante el arranque. Después de poner en marcha el transportador y que esté operando, revise los motores, reductores y partes en movimiento para estar seguro de que están trabajando libremente.

¡ADVERTENCIA! Los controles eléctricos deben ser conectados e instalados por un electricista calificado. La información sobre las conexiones del motor y los controles será proporcionada por el fabricante del equipo.

• Equipo Eléctrico

¡PRECAUCIÓN!

Debido a la cantidad de partes en movimiento del transportador, todo el personal en el área debe ser notificado cuando el transportador sea puesto en marcha.

Código Eléctrico: Todos los controles del motor y las conexiones deben ajustarse

FIGURE 19A

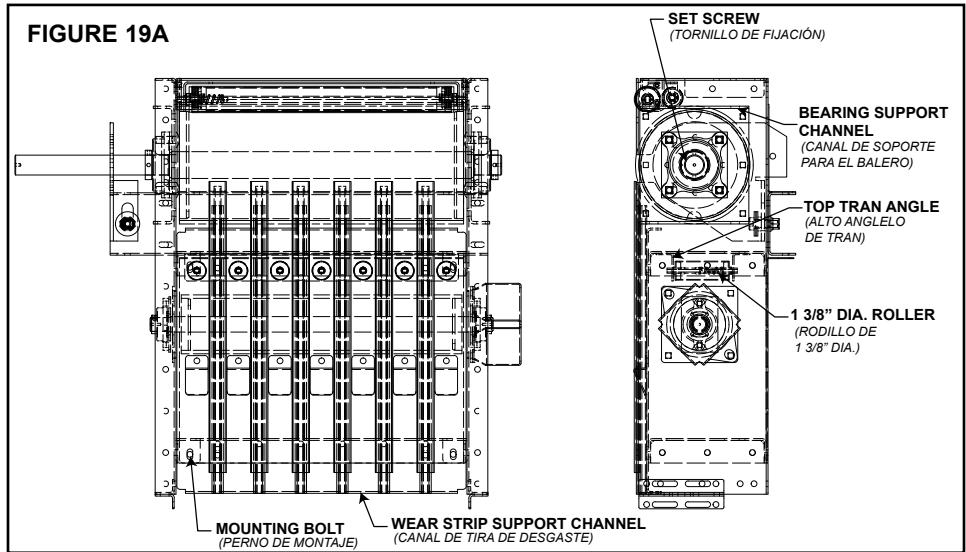
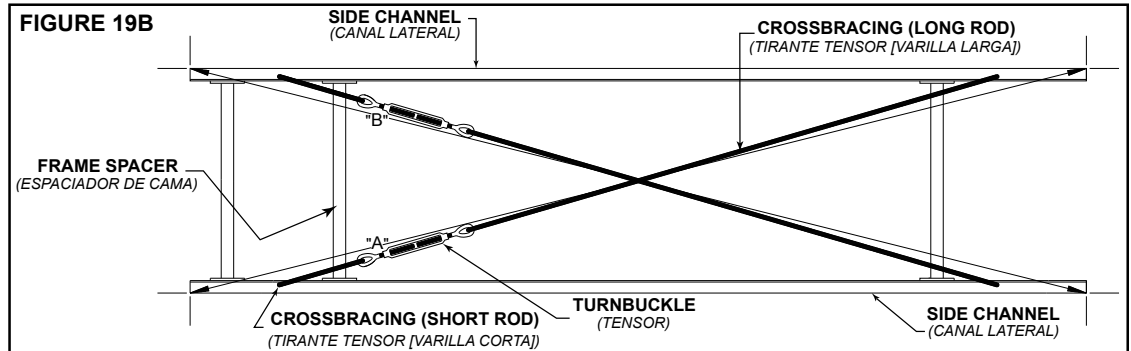


FIGURE 19B



al Código Nacional de Electricidad, (Artículo 670 u otros artículos aplicables) como fue publicado por la Asociación Nacional de Protección Contra Incendios, y aprobado por el Instituto de Estándares Americanos.

ESTACIONES DE CONTROL

A) Las estaciones de control deberán estar ordenadas y ubicadas en lugares donde el funcionamiento del equipo sea visible y deberán estar claramente marcadas o señalizadas para indicar la función controlada.

B) Un transportador que pueda causar lesiones cuando sea puesto en marcha, no deberá ponerse en funcionamiento hasta que los trabajadores en el área sean alertados por una señal o por una persona designada.

Cuando un transportador pueda causar lesiones al momento de arranque y es controlado automáticamente, o es controlado desde una ubicación lejana; se deberá proporcionar un dispositivo sonoro el cual pueda ser escuchado claramente en todos los puntos a lo largo del transportador donde el personal pueda estar presente. El dispositivo de advertencia deberá ser activado por el dispositivo de arranque del transportador y deberá continuar sonando por un determinado periodo de tiempo previo al arranque del transportador. Si es más efectivo y de acuerdo a las circunstancias se puede utilizar una luz intermitente o una advertencia visual similar, en lugar del dispositivo sonoro.

Cuando el funcionamiento del sistema pueda ser seriamente obstruido o adversamente afectado por el tiempo de retardo requerido, o cuando el intento de advertencia pueda ser mal interpretado (ej., un área de trabajo con diversas líneas de transportadores y los dispositivos de advertencia relacionados), advertencias claras, concisas y legibles deben ser proporcionadas. Las advertencias deben indicar que los transportadores y los equipos relacionados pueden ser puestos en marcha en cualquier momento, que existe un peligro y que el personal debe mantenerse alejado. Estas advertencias deben ser proporcionadas a lo largo del transportador en áreas que no sean protegidas por la posición o la ubicación.

C) Los transportadores controlados automáticamente, desde estaciones lejanas y los transportadores donde las estaciones de funcionamiento no estén controladas por una persona o estén más allá del alcance de la voz y del contacto visual de las áreas de conducción, áreas de carga, puntos de transferencia y otros sitios potencialmente peligrosos localizados en la trayectoria del transportador que no tenga protección por posición, ubicación o guardas, deberán ser equipados con interruptores de parada de emergencia, cordones de parada de emergencia, interruptores de límite o dispositivos similares para paradas de emergencia.

Todos estos dispositivos de parada de emergencia deberán ser fácilmente identificables en las cercanías inmediatas a estos puntos potencialmente peligrosos, a no ser que estén protegidos dada su ubicación, posición o protegidos con guardas. No se requieren los dispositivos de parada de emergencia donde el diseño, el funcionamiento y la operación de tales transportadores no represente un claro peligro para el personal.

El dispositivo de parada de emergencia debe actuar directamente en el control del transportador concerniente y no debe depender de la parada de cualquier otro equipo. Los dispositivos de parada de emergencia deben ser instalados de tal forma que no puedan ser anulados desde otras localidades.

D) Los controles, los actuadores inactivos o no usados y los cables, deberán ser removidos de las estaciones de control y de los tableros de mando, junto con los diagramas, indicadores, etiquetas de control y otros materiales obsoletos, los cuales pueden confundir al operador.

DISPOSITIVOS DE SEGURIDAD

A) Todos los dispositivos de seguridad, incluyendo la conexión de dispositivos eléctricos, deben estar dispuestos para operar en una manera de "Fallo - Seguro"; es decir, si se presenta una pérdida de corriente o una falla en el mismo dispositivo, esto no debe representar ningún peligro.

B) Paros de Emergencia y Reinicio. Los controles del transportador deberán estar dispuestos de tal manera que, en caso de un paro de emergencia se requiera un inicio o arranque manual en la ubicación donde el paro de emergencia se presentó para poder reanudar la operación del transportador o transportadores y equipo asociado.

C) Antes de volver a poner en marcha un transportador que haya sido detenido por una emergencia, debe revisarse y determinar la causa del paro. El dispositivo de arranque deberá ser bloqueado antes de intentar corregir o remover la causa que originó el paro, a no ser que la operación del transportador sea necesaria para determinar la causa o para solucionar el problema.

Refiérase a: ANS I Z244.1-1982, "American National Standard for Personnel Protection" - Lockout/Tagout of Energy Sources - Minimum Safety Requirements and OSHA Standard Number 29 CFR 1910.147 "The Control of Hazardous Energy (Lockout/Tagout)."

• Instalación de Cableado HyPower

ADVERTENCIA: No conecte o desconecte ningún componente del cableado HyPower cuando el equipo este prendido!

1. Todas las conexiones de cables deben hacerse sin corriente en el sistema.
2. Conecte el servicio eléctrico trifásico a la caja de desconexión. La desconexión de un solo lado requiere una alimentación de 15 Amperios y la desconexión de ambos lados requiere una alimentación de 30 Amperios. (See figura 20A y 20B)
3. Desde la caja de desconexión, conecte el Cable (o los Cables) de Extensión al Conector en T HyPower.
4. Conecte el Conector en T HyPower al Cable Macho HyPower que viene preconectado al VFD.
5. Conecte el Cable Hembra HyPower del VFD al Cable Macho HyPower preconectado al motor desviador.
6. Conecte los Conectores Hembra restantes del Conector en T a la siguiente zona de desviación del transportador y repita los pasos 3 & 4 en cada lugar de desviación.

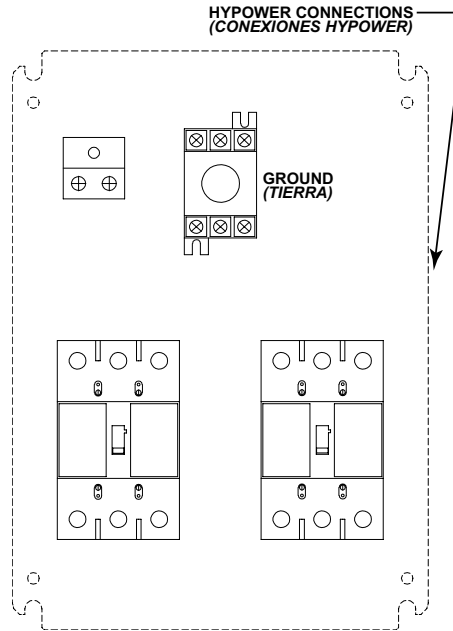


FIGURE 20A

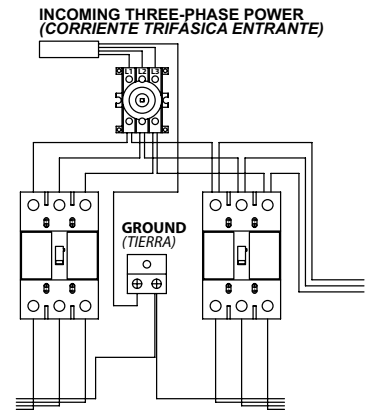


FIGURE 20B

• Componentes de Cableado HyPower

Caja de Desconexión de un Solo Lado

Esta caja de desconexión requiere 15 amperios para su operación y proporciona un medio para desconectar hasta tres transferencias a 230 voltios o seis transferencias a 460 voltios. La distancia máxima de cualquier motor a la caja de desconexión es de 50 pies. Para distancias mayores que 50 pies se requiere una línea adicional de desconexión. (Vea la figura 20B y 21A).

Caja de Desconexión de Ambos Lados

Esta caja de desconexión requiere 30 amperios para su operación y proporciona un medio para desconectar hasta seis transferencias a 230 voltios o doce transferencias a 460 voltios. Dicha caja de desconexión tiene la capacidad de cubrir 100 pies de transportador cuando se instala en la mitad de la distancia. Motores localizados a una distancia mayor que 50 pies requieren de una línea adicional de desconexión. (Vea la figura 20A y 21B).

Cable de Extensión HyPower con Doble Terminación

Proporciona corriente a lo largo del transportador desde la caja de desconexión a cada Conector en T HyPower. (Vea la figura 21A y 21B).

Conector en T HyPower

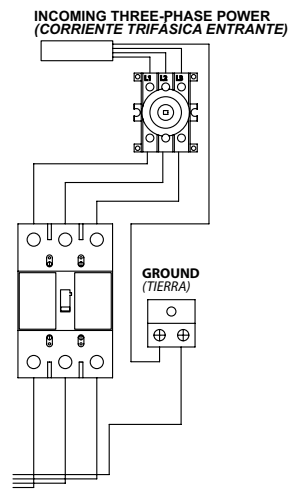
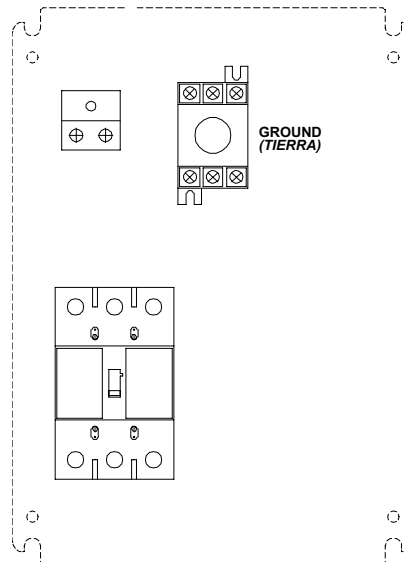
El Conector en T recibe corriente a través del cable de extensión. Este Conector en T es utilizado para suministrar corriente a cada unidad motriz de frecuencia variable y motor. (Vea la figura 21A y 21B).

Cable HyPower Macho de Terminación "single-end"

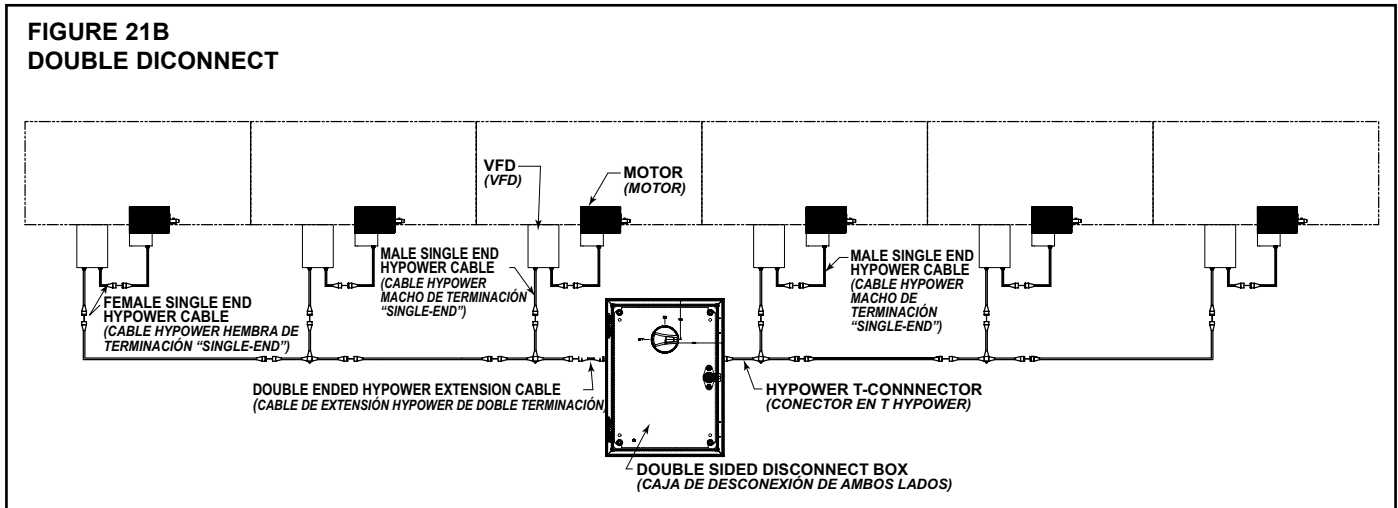
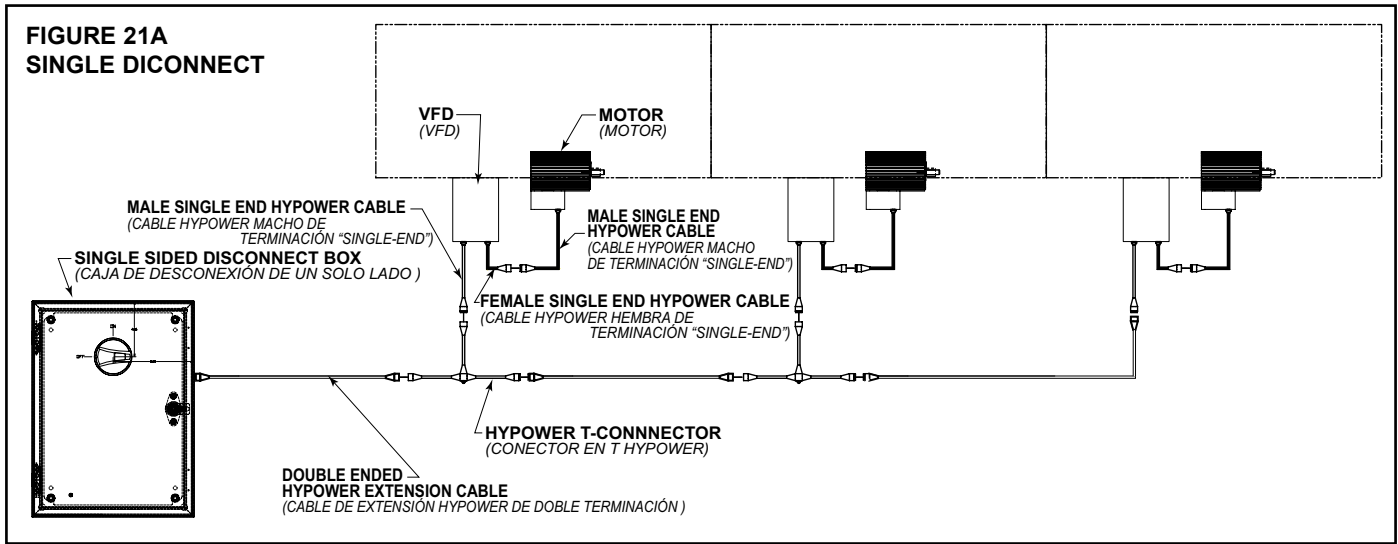
Este cable viene preconectado a cada unidad motriz de frecuencia variable y también a cada motor desviador. (Vea la figura 21A y 21B).

Cable HyPower Hembra de Terminación "single-end"

Este cable viene preconectado a cada unidad motriz de frecuencia variable (VFD) y proporciona corriente a cada motor desviador. (Vea la figura 21A y 21B).



• Componentes de Cableado HyPower



• Alineación de la Transferencia

1. La altura de la transferencia viene preestablecida de fábrica.
2. La altura de la transferencia puede ahora ser ajustada apropiadamente al levantar o bajar el canal de montaje del cilindro. Afloje los tornillos de 3/8" sosteniendo el canal de montaje del cilindro. Ajuste utilizando los pernos de argolla y apriete los tornillos de 3/8"

TENSIÓN DE LA BANDA MOTRIZ

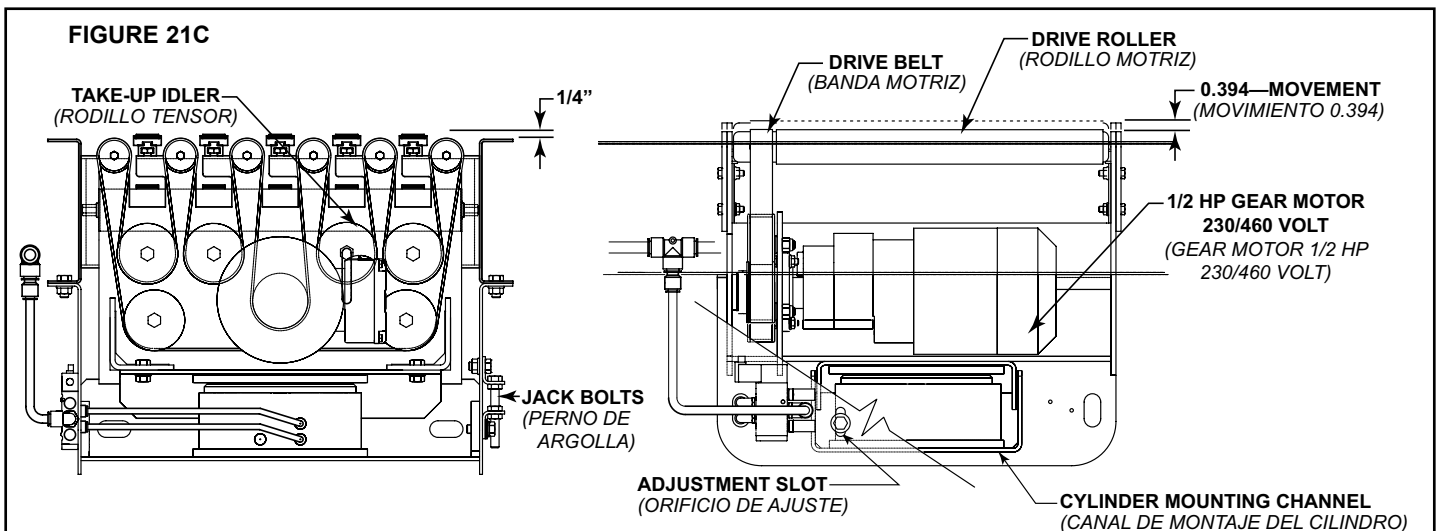
1. Afloje la tuerca de 3/8" que sujeta el rodillo tensor, tensión la banda empujando el rodillo tensor hacia abajo, apriete manualmente. Apriete la tuerca de 3/8" del rodillo tensor. (Ver Fig. 21C).

2. Para remover la banda, los rodillos impulsores deben ser removidos (Ver Fig. 21C). Remuévalos empujando por un lado el eje hexagonal a través del canal de soporte de la transferencia.

VELOCIDAD DEL TORNILLO MOTRIZ

Para cambiar la velocidad del rodillo motriz, gire la perilla redonda del VFD (Motor de frecuencia variable).

Nota: Todos los motores de las transferencias son de 230 Voltios AC. Cuando se alimente 460 Voltios al VFD, el motor sera programado para tener una salida de 230 Voltios a los motores.



• Resolviendo Problemas

RESOLVIENDO PROBLEMAS DE TRANSMISION		
PROBLEMA	CAUSA	SOLUCION
<i>El transportador no arranca o el motor se detiene frecuentemente.</i>	<ol style="list-style-type: none"> 1) El motor está sobrecargado. 2) El motor pasa demasiada corriente. 	<ol style="list-style-type: none"> 1) Revise si hay sobrecarga del transportador. 2) Revise los circuitos e interruptores de protección y sobrecarga, y cámbielos si es necesario.
<i>Desgaste excesivo de la cadena motriz.</i>	<ol style="list-style-type: none"> 1) La cadena está floja. 	<ol style="list-style-type: none"> 1) Tensione la cadena. 2) Revise el tensionador neumático (ver abajo).
<i>Funcionamiento muy ruidoso.</i>	<ol style="list-style-type: none"> 1) Rodamientos defectuosos. 	<ol style="list-style-type: none"> 1) Reemplace los rodamientos.
<i>Motor o reductor recalentado.</i>	<ol style="list-style-type: none"> 1) Transportador está sobrecargado. 2) Bajo voltaje al motor. 3) Bajo nivel de lubricante en reductor. 	<ol style="list-style-type: none"> 1) Revise la capacidad del transportador y reduzca la carga al nivel recomendado. 2) Haga un chequeo por un electricista y corrija si es necesario. 3) Vuelva a lubricar de acuerdo a las recomendaciones del fabricante.
<i>La banda no se mueve, pero el motor corre.</i>	<ol style="list-style-type: none"> 1) El transportador está sobrecargado. 2) La banda está floja. 3) El revestimiento de la polea motriz esta gastada. 4) Banda desgastada. 5) No hay suficiente tensión. 	<ol style="list-style-type: none"> 1) Revise la capacidad del transportador y reduzca la carga al nivel recomendado. 2) Use tensores de banda para apretar la banda. Revise el tensionador neumático (ver abajo). 3) Reemplace la polea y apriete la banda. 4) Reemplace y tense la banda. 5) Adicione otro tensionador al transportador.

RESOLVIENDO PROBLEMAS DE LA TRANSFERENCIA DE RODILLOS		
PROBLEMA	CAUSA	SOLUCION
<i>La transferencia es inoperable</i>	<ol style="list-style-type: none"> 1) No hay presión de aire a los cilindros 2) El solenoide está defectuoso 3) No hay señal al solenoide o motor 	<ol style="list-style-type: none"> 1) Restricted or broken air line 2) Replace air solenoid 3) Have electrician check and correct as necessary
<i>Los rodillos de transferencia no giran bajo las condiciones de carga</i>	<ol style="list-style-type: none"> 1) La transferencia esta sobrecargada 2) Flujo de paquetes obstruido por una guarda lateral u otro objeto 3) La banda de la transferencia esta floja 4) El trantorque está suelto 	<ol style="list-style-type: none"> 1) Revise la capacidad de la transferencia y reduzca la carga al nivel recomendado 2) Libere la obstrucción 3) Ajuste la tensión de la banda de transferencia 4) Ajuste el trantorque a 1500 pulgadas/libra.
<i>La Transferencia no desvía el producto</i>	<ol style="list-style-type: none"> 1) La transferencia esta muy baja 2) El temporizador esta muy bajo 	<ol style="list-style-type: none"> 1) Ajuste la altura de la transferencia 2) Haga un chequeo por un electricista y corrija si es necesario.

• Planned Maintenance Checklist

Note: Check Set Screws for proper torque value after the first 24 hours of operation.

(Lista de Mantenimiento Preventivo)

NOTA: REVISAR LOS TORNILLOS DE FIJACIÓN PARA OBTENER EL TORQUE ADECUADO DESPUÉS DE LAS PRIMERAS 24 HORAS DE OPERACIÓN.

Component (Componente)	Suggested Action (Acción Sugerida)	Schedule (Horario)		
		Weekly (Semanal)	Monthly (Mensual)	Quarterly (Trimestral)
Gearbox (Caja de Cambios)	Check Noise (Revisar el Ruido)			
	Check Temperature (Revisar la Temperatura)			
	Check Mounting Bolts (Revisar los Tornillos de Montaje)			
	Check Oil Level (Revisar el Nivel de Aceite)			
Belt (Banda)	Check Tracking (Comprobar el Seguimiento)			
	Check Tension (Revisar la Tension)			
Bearings - Pulley and Rollers Rodamientos (Poleas & Rodillos)	Check Noise (Revisar el Ruido)			
	Check Mounting Bolts (Revisar los Tornillos de Montaje)			
Structural (Estructura)	Check Sheave Alignment (Revisar la Alineacion del eje de la Polea)			
	General Check: All loose bolts, etc., tightened (Revision General: Tornillos sueltos, etc.)			
Transfer (Transferir)	Check Noise (Revisar el Ruido)			
	Check Transfer Drive Rollers (Comprobar Rodillos de Accionamiento de Transferencia)			
	Check Belt Tension (Comprobar la Tensión de la Banda)			
	Check Belt Wear (Comprobar Desgaste de la Banda)			
Filter/Regulator (Filtro/Regulador)	Check Leaks (Comprobar las Fugas)			
	Check for Pressure (Comprobar la Presión)			
	Check Bowl (Comprobar Bowl)			



A: 2020 HYTROL STREET
JONESBORO, ARKANSAS 72401

T: (870) 935.3700
F: (870) 931.1877

W: WWW.HYTROL.COM