

**IMPORTANT!**  
DO NOT DESTROY

**¡IMPORTANTE!**  
NO DESTRUIR



# Installation and Maintenance Manual

with Safety Information  
and Parts List

RECOMMENDED SPARE PARTS HIGHLIGHTED IN GRAY

# Manual de Instalación y

# Mantenimiento

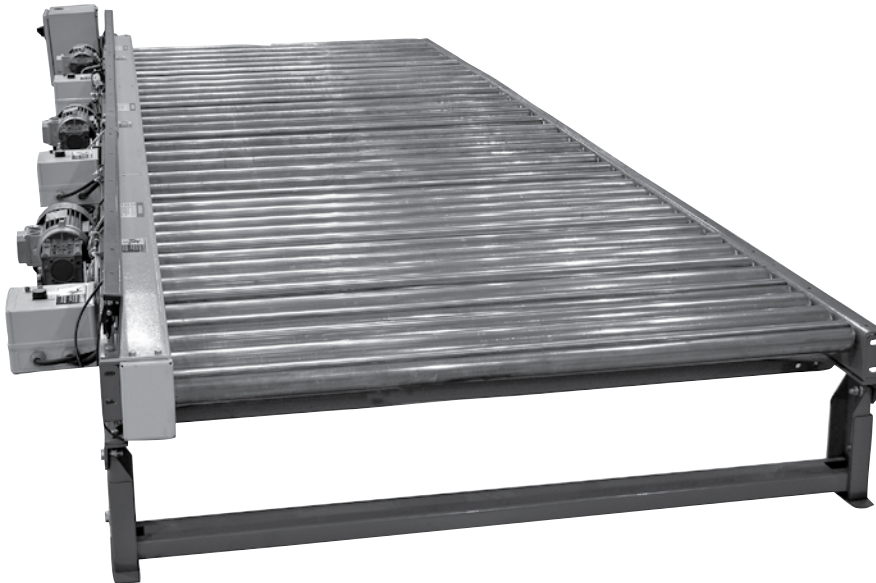
con Información sobre Seguridad  
y Lista de Refacciones

LAS REFACCIONES RECOMENDADAS SE RESALTAN EN GRIS

**Model 199-CREZD,  
25-CREZD, & 36-CREZD**

Effective February 2015  
(Supercedes February 2008)

Bulletin #661



**Hytrol Conveyor Co., Inc.**

Jonesboro, Arkansas

© COPYRIGHT 2008-HYTROL CONVEYOR CO., INC.

**PRESS OPTIMIZED FOR THE ENVIRONMENT**  
*(IMPRESIÓN OPTIMIZADA PARA PROTEGER EL MEDIO AMBIENTE)*

# TABLE OF CONTENTS

## INTRODUCTION

Receiving and Uncrating . . . . .	2
How to Order Replacement Parts . . . . .	2

## SAFETY INFORMATION

Installation Safety Precautions . . . . .	3
Operation Safety Precautions . . . . .	3
Maintenance . . . . .	3

## INSTALLATION

Support Installation . . . . .	4
Conveyor Set-Up . . . . .	4,5
Racked Sections . . . . .	5
Electrical Equipment . . . . .	5, 6
Sequence of Operation . . . . .	6
EZLogic System . . . . .	6, 7
EZDrive Zone Starter Box . . . . .	7
Loading Applications . . . . .	7,8
Unloading Applications . . . . .	9

## OPERATION

Conveyor Start-Up . . . . .	9
-----------------------------	---

## MAINTENANCE

Lubrication . . . . .	9, 10
Trouble Shooting . . . . .	10
Maintenance Checklist . . . . .	back cover

## REPLACEMENT PARTS

Accumulation Assembly . . . . .	10
199-CREZD Parts Drawing & List . . . . .	11
25-CREZD Parts Drawing & List . . . . .	12
36-CREZD Parts Drawing & List . . . . .	13
Spanish Version . . . . .	14

# INTRODUCTION

This manual provides guidelines and procedures for installing, operating, and maintaining your conveyor. A complete parts list is provided with recommended spare parts highlighted in gray. Important safety information is also provided throughout the manual. For safety to personnel and for proper operation of your conveyor, it is recommended that you read and follow the instructions provided in this manual.

## • Receiving and Uncrating

1. Check the number of items received against the bill of lading.
2. Examine condition of equipment to determine if any damage occurred during shipment.
3. Move all crates to area of installation.
4. Remove crating and check for optional equipment that may be fastened to the conveyor. Make sure these parts (or any foreign pieces) are removed.

**NOTE: If damage has occurred or freight is missing, Contact your Hytrol Integration Partner.**

## • How to Order Replacement Parts

Included in this manual are parts drawings with complete replacement parts lists. Minor fasteners, such as nuts and bolts, are not included.

When ordering replacement parts:

1. Contact Dealer from whom conveyor was purchased or nearest HYTROL Integration Partner.
2. Give Conveyor Model Number and Serial Number or HYTROL Factory Order Number.
3. Give Part Number and complete description from Parts List.
4. Give type of drive. Example—8" End Drive, 8" Center Drive, etc.
5. If you are in a breakdown situation, tell us.



HYTROL Serial Number  
(Located near Drive on Powered Models).

# SAFETY INFORMATION

## • Installation

### GUARDS AND GUARDING

Interfacing of Equipment. When two or more pieces of equipment are interfaced, special attention shall be given to the interfaced area to insure the presence of adequate guarding and safety devices.

Guarding Exceptions. Whenever conditions prevail that would require guarding under these standards, but such guarding would render the conveyor unusable, prominent warning means shall be provided in the area or on the equipment in lieu of guarding.

Guarded by Location or Position. Where necessary for the protection of employees from hazards, all exposed moving machinery parts that present a hazard to employees at their work station shall be mechanically or electrically guarded, or guarded by location or position.

- Remoteness from frequent presence of public or employed personnel shall constitute guarding by location.
- When a conveyor passes over a walkway, roadway, or work station, it is considered guarded solely by location or position if all moving parts are at least 8 ft. (2.44 m) above the floor or walking surface or are otherwise located so that the employee cannot inadvertently come in contact with hazardous moving parts.
- Although overhead conveyors may be guarded by location, spill guards, pan guards, or equivalent shall be provided if the product may fall off the conveyor for any reason and if personnel would be endangered.

### HEADROOM

- When conveyors are installed above exit passageways, aisles, or corridors, there shall be provided a minimum clearance of 6 ft. 8 in. (2.032 m) measured vertically from the floor or walking surface to the lowest part of the conveyor or guards.
- Where system function will be impaired by providing the minimum clearance of 6 ft. 8 in. (2.032 m) through an emergency clearance, alternate passageways shall be provided.
- It is permissible to allow passage under conveyors with less than 6 ft. 8 in. (2.032 m) clearance from the floor for other than emergency exits if a suitable warning indicates low headroom.

## • Operation

A) Only trained employees shall be permitted to operate conveyors. Training shall include instruction in operation under normal conditions and emergency situations.

B) Where employee safety is dependent upon stopping and/or starting devices, they shall be kept free of obstructions to permit ready access.

C) The area around loading and unloading points shall be kept clear of obstructions which could endanger personnel.

D) No person shall ride the load-carrying element of a conveyor under any circumstances unless that person is specifically authorized by the owner or employer to do so. Under those circumstances, such employee shall only ride a conveyor which incorporates within its supporting structure platforms or control stations specifically designed for carrying personnel. Under no circumstances shall any person ride on any element of a vertical conveyor.

E) Personnel working on or near a conveyor shall be instructed as to the location and operation of pertinent stopping devices.

F) A conveyor shall be used to transport only material it is capable of handling safely.

G) Under no circumstances shall the safety characteristics of the conveyor be altered if such alterations would endanger personnel.

H) Routine inspections and preventive and corrective maintenance programs shall be conducted to insure that all safety features and

devices are retained and function properly.

I) Personnel should be alerted to the potential hazard of entanglement in conveyors caused by items such as long hair, loose clothing, and jewelry.

J) Conveyors shall not be maintained or serviced while in operation unless proper maintenance or service requires the conveyor to be in motion. In this case, personnel shall be made aware of the hazards and how the task may be safely accomplished.

K) Owners of conveyor should insure proper safety labels are affixed to the conveyor warning of particular hazards involved in operation of their conveyors.

### CAUTION!

Because of the many moving parts on the conveyor, all personnel in the area of the conveyor need to be warned that the conveyor is about to be started.

## • Maintenance

- All maintenance, including lubrication and adjustments, shall be performed only by qualified and trained personnel.
- It is important that a maintenance program be established to insure that all conveyor components are maintained in a condition which does not constitute a hazard to personnel.
- When a conveyor is stopped for maintenance purposes, starting devices or powered accessories shall be locked or tagged out in accordance with a formalized procedure designed to protect all persons or groups involved with the conveyor against an unexpected start.
- Replace all safety devices and guards before starting equipment for normal operation.
- Whenever practical, DO NOT lubricate conveyors while they are in motion. Only trained personnel who are aware of the hazard of the conveyor in motion shall be allowed to lubricate.

### Safety Guards

Maintain all guards and safety devices IN POSITION and IN SAFE REPAIR.

### Safety Labels

In an effort to reduce the possibility of injury to personnel working around HYTROL conveying equipment, safety labels are placed at various points on the equipment to alert them of potential hazards. Please check equipment and note all safety labels. Make certain your personnel are alerted to and obey these warnings. See Safety Manual for examples of warning labels.

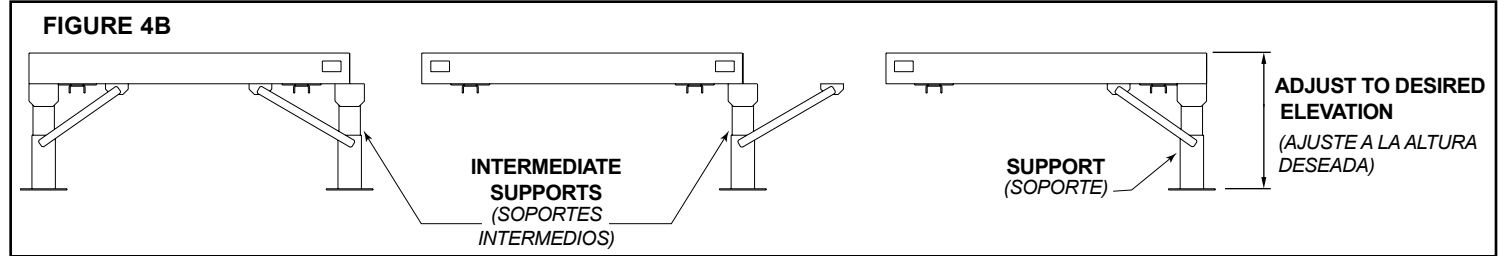
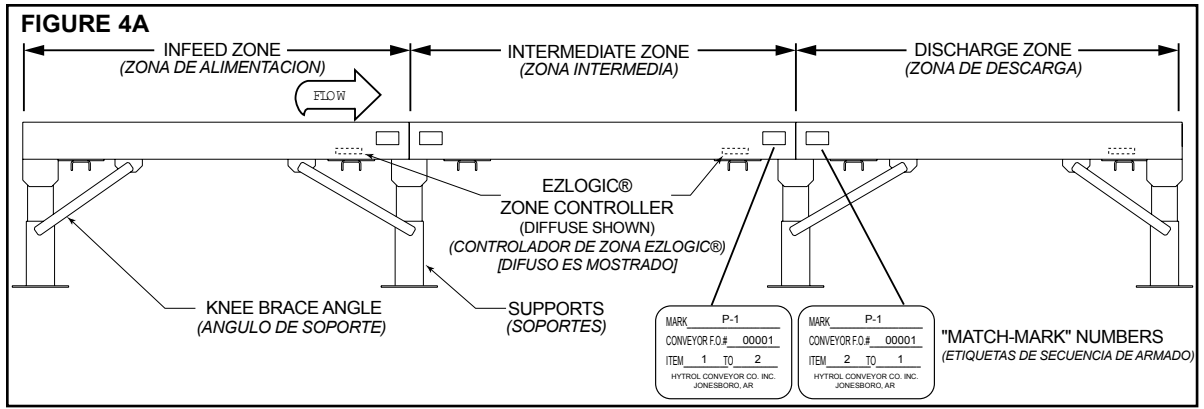
### REMEMBER

Do not remove, reuse or modify material handling equipment for any purpose other than it's original intended use.

# INSTALLATION

## • Support Installation

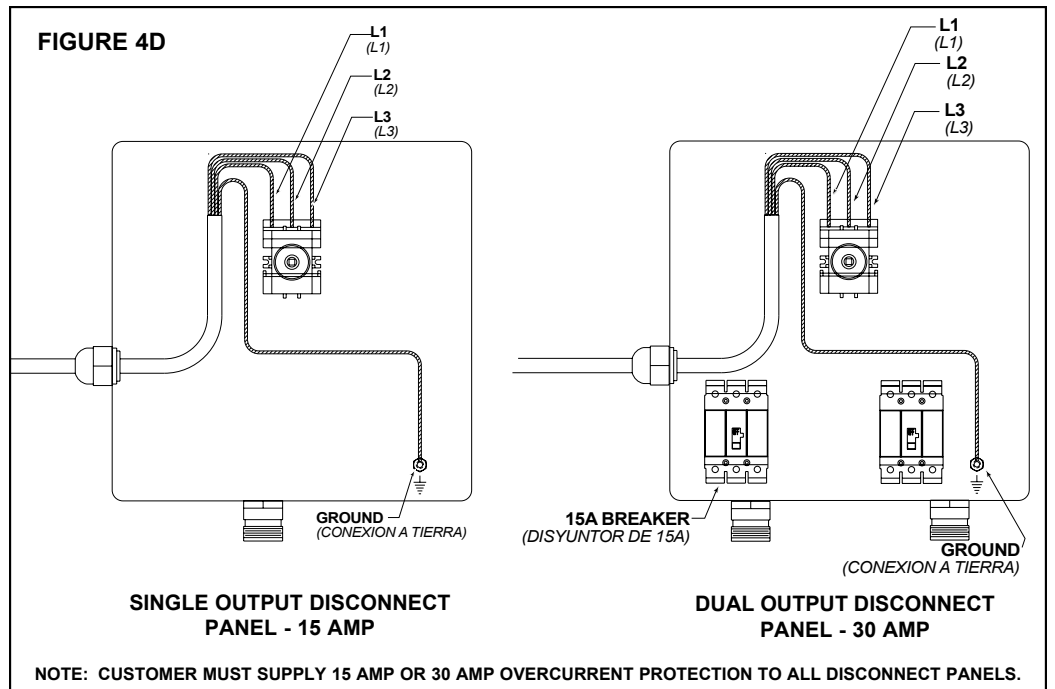
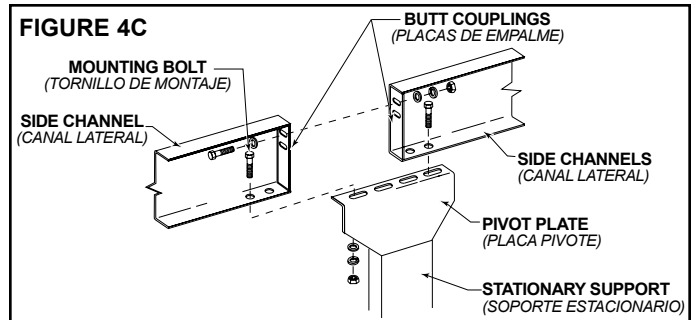
1. Determine direction of product flow. Figure 4A indicates the flow as related to the EZLogic® controls.
2. Refer to "Match-Mark" numbers on ends of conveyor sections. (Figure 4A.) Position them in this sequence near area of installation.
3. Attach supports to all conveyor sections as shown in Figures 4B and 4C. Hand tighten bolts only at this time.
4. Adjust elevation to required height.



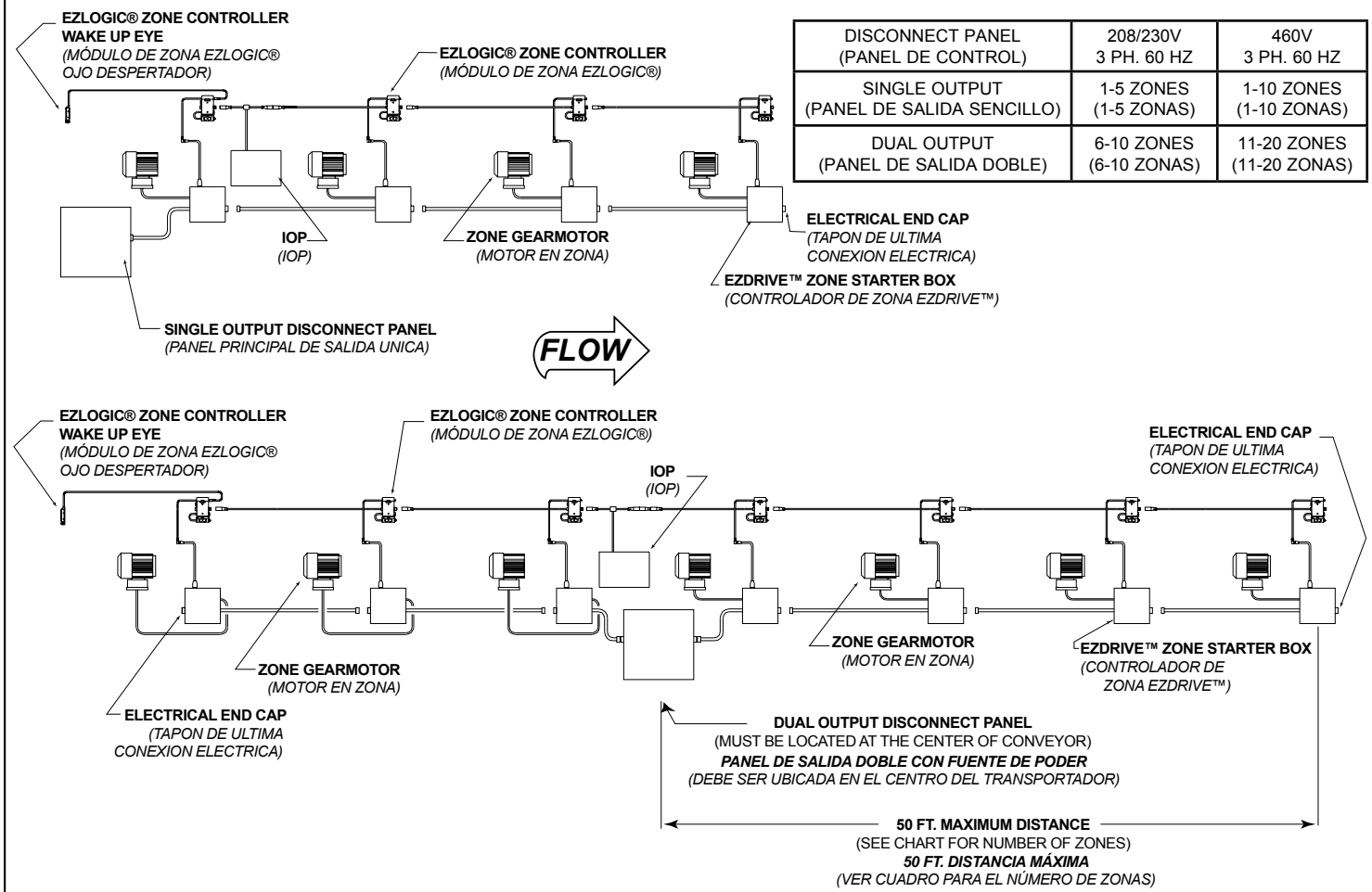
## • Conveyor Set-Up

1. Mark a chalk line on floor to locate center of the conveyor.
2. Place the infeed section in position.
3. Place remaining sections on extended support of previous section.
4. Fasten sections together with butt couplings and pivot plates (Figure 4C). Hand tighten bolts only at this time.
5. Check to see that conveyor is level across width and length of unit. Adjust supports as necessary.
6. Tighten all butt couplings and support mounting bolts and lag conveyor to floor.
7. Connect EZLogic® cordset and EZDrive™ cable (Fig. 5A).
8. Install electrical controls and wire disconnect panel (Figure 4D). The Dual Output Disconnect Panel requires a 30 amp service and the Single Output Disconnect Panel requires a 15 amp service. All lines must have proper Fuse or Breakers. See Disconnect Panel for required voltage.
9. Connect IOP to EZLogic®. See EZLogic® GEN3 Component Manual for more information about IOP.

Note! All drive roller shafts are turned to within 10 thousandths TIR (Total Indicator Runout). Some wobbling of the gearmotor may be noticeable and is typical in Torque Arm mounted gearmotors. This allows the gearmotor to float which prevents fatiguing of the drive shaft or premature failure of bearing components.



**FIGURE 5A**



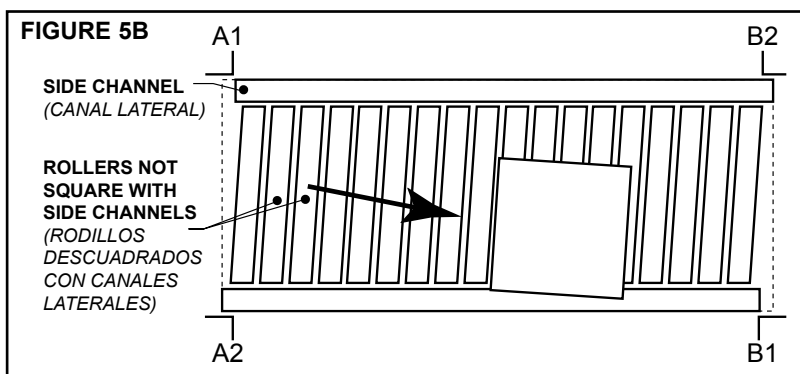
**• Racked Sections**

It is important that each bed section be checked for an out-of-square condition. If conveyor is not square, tracking problems will result. Figure 5B indicates a racked section.

**TO CORRECT AN OUT-OF-SQUARE SECTION**

1. Locate points on corners of section and measure distance "A" & "B". If the dimensions are not equal, the section will need to be squared. (Figure 5B).
  2. After all bed sections have been checked and corrected for "racked condition", tighten all butt couplings and pivot plate bolts.
  3. Make final check to see that all conveyor sections are level across width and length. If entire conveyor is level, supports can be lagged to floor.
- "Racked" conveyor sections will cause product to travel toward side of conveyor.

**IMPORTANT!** Being out of level across this width of conveyor can cause product drift on long conveyor lines.



**• Electrical Equipment**

**WARNING!** Electrical controls shall be installed and wired by a qualified electrician. Wiring information for the motor and controls are furnished by the equipment manufacturer.

**CONTROLS**

Electrical Code: All motor controls and wiring shall conform to the National Electrical Code (Article 670 or other applicable articles) as published by the National Fire Protection Association and as approved by the American Standards Institute, Inc.

**CONTROL STATIONS**

A) Control stations should be so arranged and located that the operation of the equipment is visible from them, and shall be clearly marked or labeled to indicate the function controlled.

B) A conveyor which would cause injury when started shall not be started until employees in the area are alerted by a signal or by a designated person that the conveyor is about to start.

When a conveyor would cause injury when started and is automatically controlled or must be controlled from a remote location, an audible device shall

be provided which can be clearly heard at all points along the conveyor where personnel may be present. The warning device shall be actuated by the controller device starting the conveyor and shall continue for a required period of time before the conveyor starts. A flashing light or similar visual warning may be used in conjunction with or in place of the audible device if more effective in particular circumstances.

Where system function would be seriously hindered or adversely affected by the required time delay or where the intent of the warning may be misinterpreted (i.e., a work area with many different conveyors and allied devices), clear, concise, and legible warning shall be provided. The warning shall indicate that conveyors and allied equipment may be started at any time, that danger exists, and that personnel must keep clear. The warnings shall be provided along the conveyor at areas not guarded by position or location.

C) Remotely and automatically controlled conveyors, and conveyors where operator stations are not manned or are beyond voice and visual contact from drive areas, loading areas, transfer points, and other potentially hazardous locations on the conveyor path not guarded by location, position, or guards, shall be furnished with emergency stop buttons, pull cords, limit switches, or similar emergency stop devices.

All such emergency stop devices shall be easily identifiable in the immediate vicinity of such locations unless guarded by location, position, or guards. Where the design, function, and operation of such conveyor clearly is not hazardous to

personnel, an emergency stop device is not required.

The emergency stop device shall act directly on the control of the conveyor concerned and shall not depend on the stopping of any other equipment. The emergency stop devices shall be installed so that they cannot be overridden from other locations.

D) Inactive and unused actuators, controllers, and wiring should be removed from control stations and panel boards, together with obsolete diagrams, indicators, control labels, and other material which serve to confuse the operator.

**SAFETY DEVICES**

A) All safety devices, including wiring of electrical safety devices, shall be arranged to operate in a "Fail-Safe" manner, that is, if power failure or failure of the device itself would occur, a hazardous condition must not result.

B) Emergency Stops and Restarts. Conveyor controls shall be so arranged that, in case of emergency stop, manual reset or start at the location where the emergency stop was initiated, shall be required of the conveyor(s) and associated equipment to resume operation.

C) Before restarting a conveyor which has been stopped because of an emergency, an inspection of the conveyor shall be made and the cause of the stoppage determined. The starting device shall be locked out before any attempt is made to remove the cause of stoppage, unless operation is necessary to determine the cause or to safely remove the stoppage.

Refer to ANSI Z244.1-1982, American National Standard for Personnel Protection – Lockout/Tagout of Energy Sources – Minimum Safety Requirements and OSHA Standard Number 29 CFR 1910.147 "The Control of Hazardous Energy (Lockout/Tagout)."

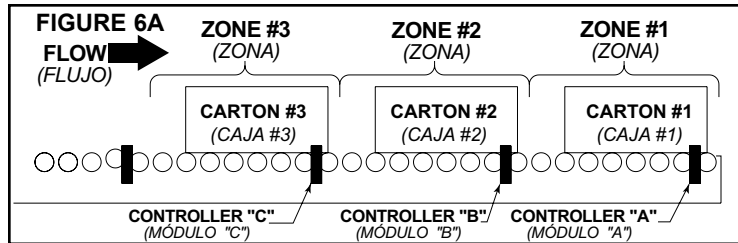
**• Sequence of Operation**

The CREZD models are made up of a series of accumulation zones, each zone having an EZLogic® zone controller, an EZDrive™ zone starter box and a gearmotor. The sequence of "loading" and "unloading" the conveyor is as follows:

**LOADING THE CONVEYOR - SINGULATION MODE**

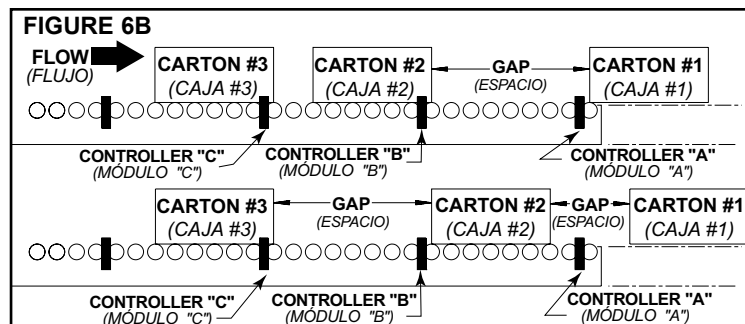
(Figure 6A)

1. Beginning with the conveyor "empty," and the zone stop signal to the discharge zone controller "active,"(Refer to the "Auxiliary Connections" section) a load placed on the conveyor continues forward until it reaches the discharge zone (Zone #1). If two or more loads are placed on the conveyor with a space of less than one zone length between them, the loads will singulate (separate) during the first few feet of travel on the conveyor, until a space approximately equal to one zone length exists between all loads.
2. When load #1 activates zone controller "A", Zone #1 stops driving. A signal is sent to Zone #2 indicating that Zone #1 is occupied (Figure 6A).
3. When load #2 activates zone controller "B", Zone #2 stops driving. A signal is sent to Zone #3 indicating that Zone #2 is occupied.
4. The above sequences are repeated until the conveyor is fully loaded.



**UNLOADING THE CONVEYOR - SINGULATION MODE**

1. Releasing load #1 is accomplished by "de-activating" the zone stop signal to the discharge zone (Refer to the "Auxiliary Connections" section). This restores power to the tread rollers in zone #1. Load #1 will then move forward, causing a gap between itself and load #2 (Figure 6B).
2. When load #1 clears zone controller "A", load #2 will then move forward, creating a gap between itself and load #3.
3. This sequence will continue as long as the preceding load continues to move forward.



**• EZLogic® System**

**EZLogic® Accumulation System Connections**

The CREZD models are equipped with the EZLogic® accumulation system. The following basic information may be used as a guide during the installation and initial setup of the conveyor. For detailed information about EZLogic® system components, options, functions, and programming, please refer to the EZLogic® GEN3 Component Manual.

Each EZLogic® zone controller is equipped with sealed connectors for zone-to-zone communication, solenoid output, and zone stop connections. These connections are described in the following sections.

**ZONE CONNECTIONS**

Each zone controller has a cordset terminated with a female micro-connector and a male micro-connector. This cordset provides power to all the zone controllers on the conveyor as well as communication between zone controllers (Figure 7A).

All zone controllers are mounted and connected at the factory within each conveyor section. Connections between sections are made at installation. (See Conveyor Set-Up on Page 9). The cordset from one zone controller is always connected to the cordset on the upstream side of it. This is the way the zone controllers know which direction product is flowing.

The cordset on the infeed end of the conveyor is simply bundled and tied in the accumulation channel and is not connected. The infeed cordset may be replaced with an infeed zone terminator (P/N 032.550). Protective caps are provided to seal unused connectors.

An optional conveyor-to-conveyor connector is required when two conveyors are joined end-to-end. Please refer to the EZLogic® GEN3 Component Manual for more information.

**EZDrive™ CONNECTIONS**

Each zone controller has a built-in run enable output cable to provide a zone drive/ no drive output to the EZDrive™ zone starter box operating the zone. This cable is terminated with a female pico-style sealed snap-lock connector. Connection is made by pushing the cable connector onto the corresponding male connector of the zone starter box until it snaps in.

Please note that this output is only to be used to operate the zone mechanism of the conveyor. It is not to be used as an output signal to other control devices. If a control output is needed, an optional auxiliary I/O module should be used. Please refer to the EZLogic® GEN3 Component Manual for more information.

**AUXILIARY CONNECTIONS**

Every EZLogic® zone controller is equipped with an auxiliary port to accept a zone stop signal, a slug input signal, or a zone wake-up signal by simply connecting an auxiliary input cable to the auxiliary port of the controller and then wiring the two wires of the cable to any "dry contact" type switching device, such as a toggle switch or relay. No other components are required. The default setting is for a zone stop signal. To use the signal for slug input or zone wake-up, program the zone controller as detailed in the EZLogic® Gen 3 Component Manual.

Note: Do not apply a voltage to these wires, or wire more than one controller to any one contact. Closing the zone stop contacts will place the EZLogic® controller into "accumulate" mode. The next carton to activate the controller will be stopped and held in the "stop zone" until the contact is opened. The zone stop feature is used on all conveyors to control the release of product from the discharge zone. Other zones may be wired for this feature at any time.

**SLUG MODE CONNECTIONS**

The EZLogic® accumulation system provides two modes of accumulation which are user-selectable: Singulation mode and Slug mode. (For descriptions of the sequence of operation for each mode, refer to the "Sequence of Operation" section). The desired mode of operation may be programmed into the zone controllers at installation (refer to the EZLogic® Gen 3 Component Manual for details). If the user wishes to be able to alternate between singulation mode and slug mode "on-the-fly," an optional Auxiliary Input Cable (Hytrol P/N 032.563) may be used. The default mode is singulation mode. If the user desires to operate the conveyor in slug mode, or if the user wishes to be able to alternate between the two modes as needed, the following procedures should be used.

**SLUG MODE ONLY**

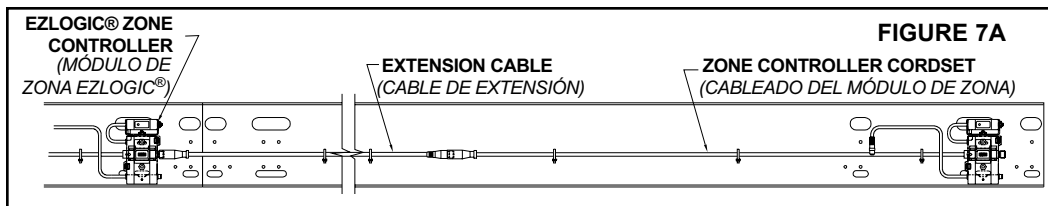
Program the zone controllers to operate in "slug mode only" as detailed in the EZLogic® Gen 3 Component Manual.

**SELECTABLE SINGULATION/SLUG**

1. Install an auxiliary input cable (Hytrol P/N 032.563) on any zone controller of the conveyor. The cable attaches to the auxiliary port on the controller.
2. Program the zone controller to accept a slug signal. (Refer to the EZLogic® Gen 3 Component Manual for details.)
3. Connect the two wires of the Auxiliary Input Cable to any "dry contact" type switching device, such as a toggle switch or relay.
4. With the switch contacts open, the conveyor will be in singulation mode. When the switch is closed, the conveyor is in slug mode.

Note: Do not apply a voltage to these wires, or wire more than one controller to any one contact.





## • EZDrive™ Zone Starter Box

Each zone of the model CREZD is equipped with an EZDrive™ zone starter box. The zone starter box provides an interface between the EZLogic® zone controller and the gearmotor. The zone starter box performs the following functions:

1. Provides power to the gearmotor
2. Allows the gearmotor to be “remotely controlled” by an EZLogic® zone controller.
3. Provides overload protection for the gearmotor.
4. Provides LED’s to indicate when the zone starter box is receiving power and when the overload has tripped.

The parts of the EZDrive™ zone starter box are shown in (Figure 7B). Each of these parts and their function is described below.

### POWER CABLE

This cable provides power to the zone starter box and gearmotor. It is terminated with a male quick disconnect connector. The cable is connected to either the previous zone starter box in the chain or to the disconnect panel.

### POWER CONNECTOR

This connector is a female quick disconnect mounted directly to the zone starter box. It is used to provide power to the next zone starter box in the chain. The male connector on the power cable of the next zone starter box is plugged into this connector. This connector is capped on the last zone starter box in the chain.

### MOTOR CABLE

This cable provides the connection between the zone starter box and the motor. The cable is hard-wired to the motor’s wiring box.

### RUN-ENABLE INPUT CABLE

This cable accepts a drive/no drive signal from the EZLogic® zone controller. The cable is terminated with a male pico connector that mates with the female connector on the solenoid output cable of the EZLogic® zone controller which controls the gearmotor.

### Power Indicator LED (Green)

This LED will be illuminated at all times if power is connected to the zone starter box.

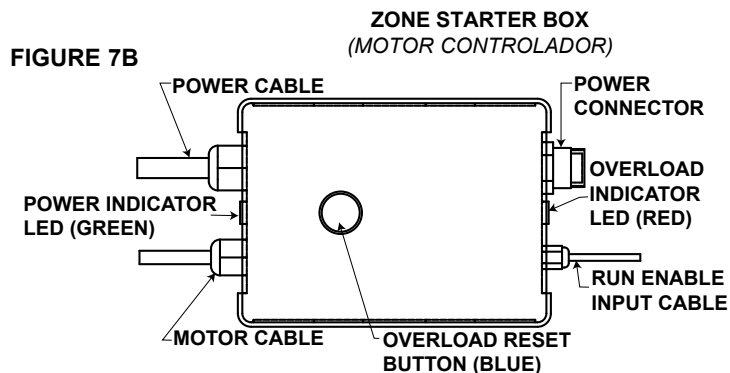
### OVERLOAD INDICATOR LED (RED)

This LED will be illuminated if the zone starter box’s motor overload is tripped. The zone starter box must be manually reset when this indicator is lit.

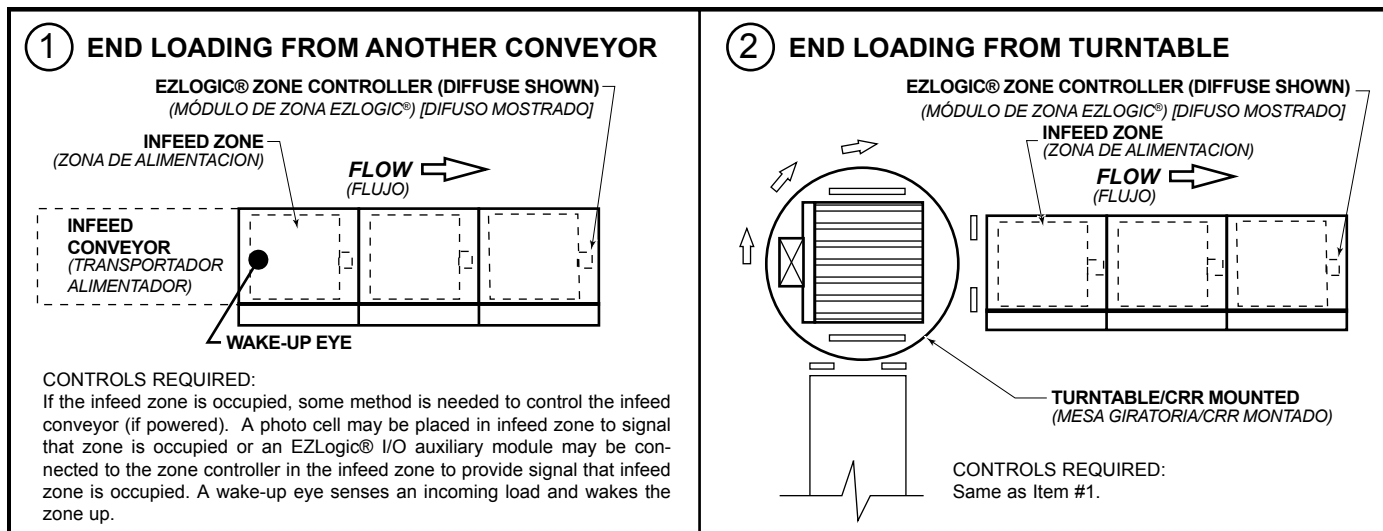
### OVERLOAD RESET BUTTON

This button is used to reset the motor overload if it is tripped. If the red LED is illuminated, press this button to reset the overload.

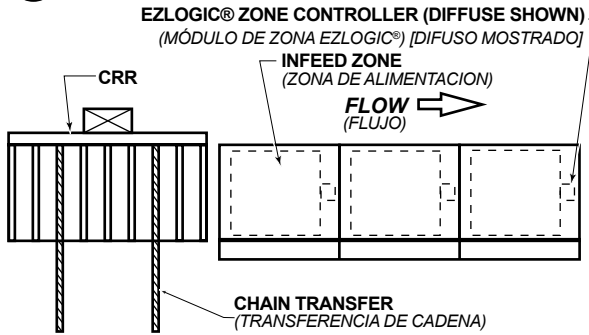
**CAUTION!** Before resetting the zone starter box overload, check the conveyor zone to be sure that it is free of obstruction or is not jammed or “bound up” in any way. Depending on load positions or whether or not an EZlogic® zone controller has been “flagged,” the zone MAY START UP IMMEDIATELY WHEN THE RESET BUTTON IS PRESSED!



## • Loading Applications

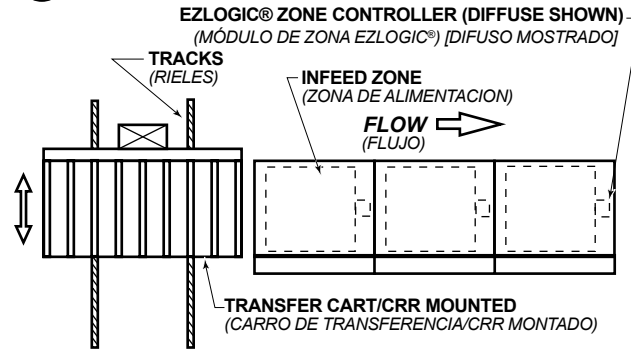


### 3 END LOADING CHAIN TRANSFER



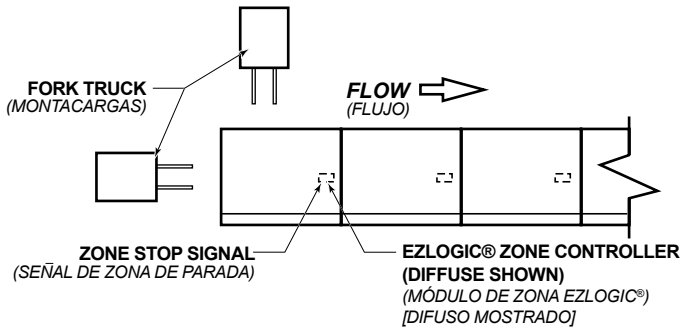
CONTROLS REQUIRED:  
Same as Item #1.

### 4 END LOADING FROM TRANSFER CART



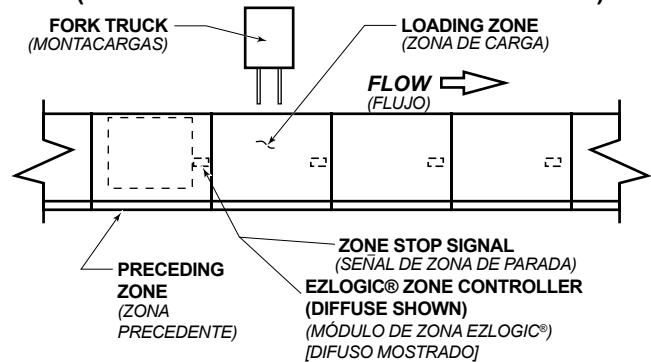
CONTROLS REQUIRED:  
Same as Item #1.

### 5 END/SIDE LOADING FROM FORK TRUCK



CONTROLS REQUIRED:  
When loading the infeed zone, it must hold the load until the fork truck is clear. A zone stop signal to the infeed zone will do this. A photo cell to detect the fork truck or a pull switch activated by the driver may be used to activate the zone stop. EZLogic® zone controller in the infeed zone may need to be relocated to detect product before setting product in zone, otherwise rollers will not stop turning. This may also be accomplished by using the EZLogic® loading zone feature. See EZLogic® GEN3 Component Manual for details.

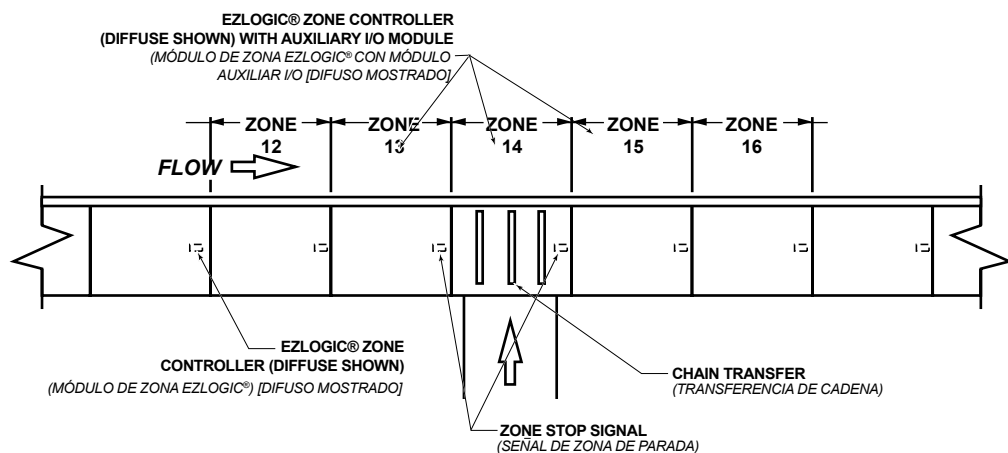
### 6 SIDE LOADING INTERMEDIATE ZONE (MUST BE DESIGNATED LOADING ZONE)



CONTROLS REQUIRED:  
When loading an intermediate zone, the designated loading zone and the preceding zone must be controlled. A zone stop signal to both zones will do this. A photo cell to detect the fork truck or a pull switch activated by the driver may be used to activate the zone stops. EZLogic® zone controller in the loading zone must detect product before setting product in zone otherwise rollers will not stop turning. This may also be accomplished by using the EZLogic® loading zone feature. See EZLogic® GEN3 Component Manual for details.

### 7 SIDE LOADING WITH CHAIN TRANSFER

CONTROLS REQUIRED:  
When side loading an intermediate zone with a chain transfer, the zone preceding the transfer zone and the transfer zone (13 and 14) must be monitored and/or controlled. The transfer zone (14) must be clear before product may be transferred onto the conveyor. A zone stop signal to (13) will prevent any upstream loads from entering the transfer area. A zone stop signal to (14) will prevent the load being transferred from advancing until the transfer is fully retracted. Other controls are required for the transfer and the feed line.





# • Unloading Applications

### ① UNLOADING ONTO ANOTHER CONVEYOR

**DISCHARGE ZONE**  
(ZONA DE DESCARGA)

**FLOW**  
(FLUJO)

**ZONE STOP SIGNAL**  
(SEÑAL DE ZONA DE PARADA)

**TAKE-AWAY CONVEYOR**  
(TRANSPORTADOR)

**EZLOGIC® ZONE CONTROLLER (DIFFUSE SHOWN)**  
(MÓDULO DE ZONA EZLOGIC®) [DIFUSO MOSTRADO]

**CONTROLS REQUIRED:**  
A standard zone stop signal is used to hold load. Remove the signal to release load.

### ② UNLOADING ONTO TURNTABLE

**DISCHARGE ZONE**  
(ZONA DE DESCARGA)

**FLOW**  
(FLUJO)

**ZONE STOP SIGNAL**  
(SEÑAL DE ZONA DE PARADA)

**EZLOGIC® ZONE CONTROLLER (DIFFUSE SHOWN)**  
(MÓDULO DE ZONA EZLOGIC®) [DIFUSO MOSTRADO]

**TURNTABLE/CRR MOUNTED**  
(MESA GIRATORIA / CRR MONTADO)

**CONTROLS REQUIRED:**  
Same as Item #1.

### ③ UNLOADING ONTO CHAIN TRANSFER

**DISCHARGE ZONE**  
(ZONA DE DESCARGA)

**FLOW**  
(FLUJO)

**ZONE STOP SIGNAL**  
(SEÑAL DE ZONA DE PARADA)

**EZLOGIC® ZONE CONTROLLER (DIFFUSE SHOWN)**  
(MÓDULO DE ZONA EZLOGIC®) [DIFUSO MOSTRADO]

**CHAIN TRANSFER**  
(TRANSFERENCIA DE CADENA)

**CONTROLS REQUIRED:**  
Same as Item #1.

### ④ UNLOADING ONTO TRANSFER CART

**DISCHARGE ZONE**  
(ZONA DE DESCARGA)

**FLOW**  
(FLUJO)

**ZONE STOP SIGNAL**  
(SEÑAL DE ZONA DE PARADA)

**EZLOGIC® ZONE CONTROLLER (DIFFUSE SHOWN)**  
(MÓDULO DE ZONA EZLOGIC®) [DIFUSO MOSTRADO]

**TRANSFER CART/CRR MOUNTED**  
(CARRO DE TRANSFERENCIA / CRR MONTADO)

**CONTROLS REQUIRED:**  
Same as Item #1.

### ⑤ END UNLOADING WITH FORK TRUCK

**FORK TRUCK**  
(MONTACARGAS)

**UNLOADING ZONE**  
(ZONA DE DESCARGA)

**FLOW**  
(FLUJO)

**ZONE STOP SIGNAL**  
(SEÑAL DE ZONA DE PARADA)

**EZLOGIC® ZONE CONTROLLER (DIFFUSE SHOWN)**  
(MÓDULO DE ZONA EZLOGIC®) [DIFUSO MOSTRADO]

**CONTROLS REQUIRED:**  
The zone stop control in the discharge zone may be wired to stop any load entering the zone. The unloading zone feature may be used to delay the restart of zone #2 until the fork truck is clear.

### ⑥ UNLOADING FROM INTERMEDIATE ZONE (MUST BE DESIGNATED UNLOADING ZONE)

**FORK TRUCK**  
(MONTACARGAS)

**ZONE STOP SIGNAL**  
(SEÑAL DE ZONA DE PARADA)

**FLOW**  
(FLUJO)

**EZLOGIC® ZONE CONTROLLER (DIFFUSE SHOWN)**  
(MÓDULO DE ZONA EZLOGIC®) [DIFUSO MOSTRADO]

**CONTROLS REQUIRED:**  
A zone stop signal may be used to stop the product. The unloading zone feature may be used to delay the restart of the upstream zone until the fork truck is clear.

## OPERATION

### • Conveyor Start-Up

Before conveyor is turned on, check for foreign objects that may have been left inside conveyor during installation. These objects could cause serious damage during start-up.

After conveyor has been turned on and is operating, check motors, reducers, and moving parts to make sure they are working freely.

**CAUTION!** Because of the many moving parts on the conveyor, all personnel in the area of the conveyor need to be warned that the conveyor is about to be started.

## MAINTENANCE

### • Lubrication

The drive chain is pre-lubricated from the manufacturer by a hot dipping process that ensures total lubrication of all components. However, continued proper lubrication will greatly extend the useful life of every drive chain.

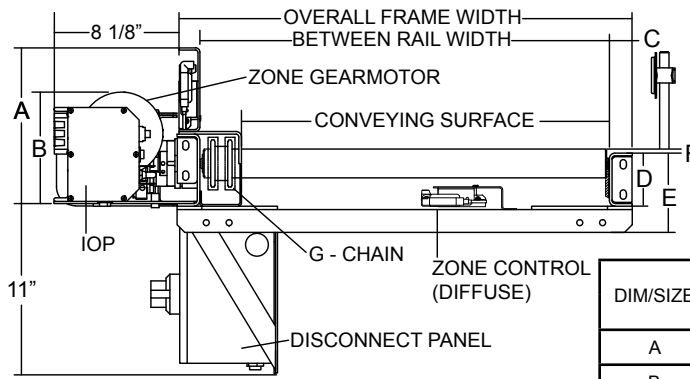
Ambient Temperature Degrees F	SAE	ISO
20-40	20	46 or 68
40-100	30	100
100-120	40	150

Drive Chain Lubrication serves several purposes including:

- Protecting against wear of the pin-bushing joint
- Lubricating chain-sprocket contact surfaces
- Preventing rust or corrosion

For normal operating environments, lubricate every 2080 hours of operation or every 6 months, whichever comes first. Lubricate with a good grade of petroleum or synthetic oil (i.e., Shell Rotella or Mobil 1). For best results, always use a brush to generously lubricate the chain. The proper viscosity of lubricant greatly affects its ability to flow into the internal areas of the chain. Refer to the table below for the proper viscosity of lubricant for your application.

The drive chain's lubrication requirement is greatly affected by the operating conditions. For harsh conditions such as damp environments, dusty environments, excessive speeds, or elevated temperatures, it is best to lubricate more frequently. It may be best, under these conditions, to develop a custom lubrication schedule for your specific application. A custom lubrication schedule may be developed by inspecting the drive chain on regular time intervals for sufficient lubrication. Once the time interval is determined at which the chain is not sufficiently lubricated, lubricate it and schedule the future lubrication intervals accordingly.



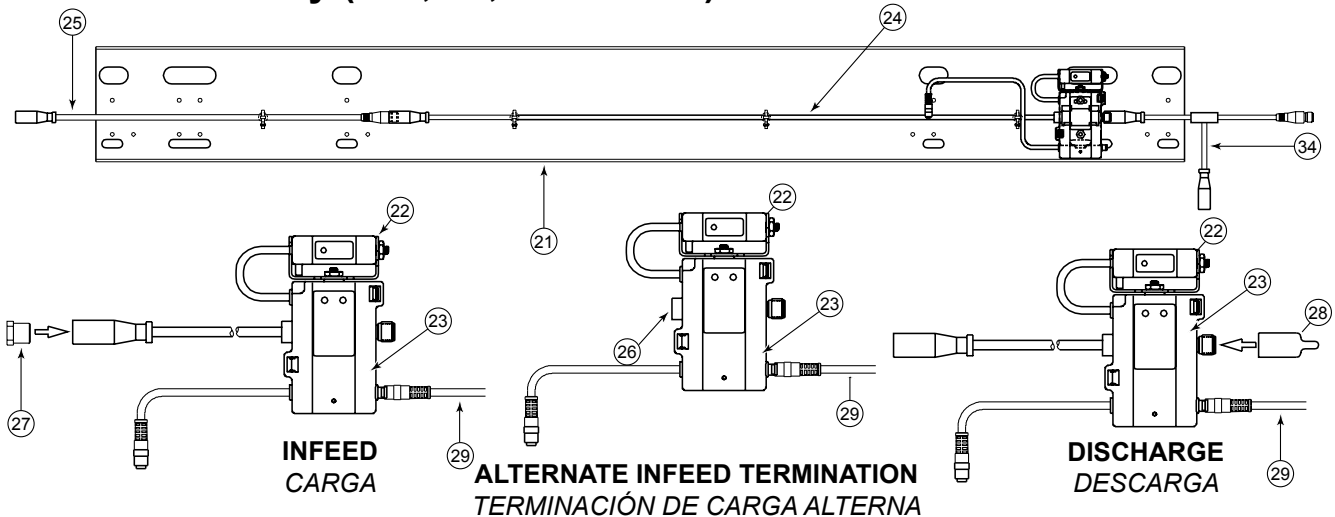
DIM/SIZE	CREZD		
	199	25	36
A	10 3/8"	11 3/4"	13 1/2"
B	7 1/2"	7 3/4"	8 1/2"
C	1 1/2"	1 5/8"	1 5/8"
D	3 1/2"	4"	5 3/4"
E	5 1/4"	5 3/4"	7 1/2"
F	1/4"	3/8"	3/8"
G	#40	#40	#60

## • Trouble Shooting

TROUBLE SHOOTING DRIVES		
TROUBLE	CAUSE	SOLUTION
Zone will not start or motor quits frequently.	1) Motor is overloaded or drawing too much current.	1) Check for overloading of conveyor. 2) Check heater or circuit breaker and change if necessary. 3) Check for proper amp setting on overload.
Drive chain sprockets wear excessively.	1) Lack of lubrication on chain causing chain stretch which creates improper chain to sprocket mesh.	1) Replace chain. Provide adequate lubrication.
Loud popping or grinding noise in bearing.	1) Defective bearing. 2) Loose set screw.	1) Replace bearing. 2) Tighten set screw.
Motor or reducer overheating.	1) Conveyor is overloaded. 2) Low voltage to motor.	1) Check capacity of conveyor and reduce load to recommended level. 2) Have electrician check and correct as necessary.
Conveyor will not run and green LED is off.	1) No power to conveyor. 2) Disconnect switch is off. 3) Circuit breaker is tripped.	1) Turn power on. 2) Turn disconnect switch on. 3) Turn circuit breaker on.
TROUBLE SHOOTING ACCUMULATION		
TROUBLE	CAUSE	SOLUTION
Product will not accumulate on one or more zones.	1) Zone controller cordset disconnected. 2) Zone starter box cable disconnected. 3) Zone starter box not working. 4) Zone controller not working.	1) Reconnect cordset. 2) Reconnect cable. 3) Repair/replace zone starter box. 4) Replace zone controller.
Zone will not drive.	1) Zone controller lens dirty. 2) Reflector missing or damaged. 3) Power loss to zone controller.	1) Clean lens in zones upstream and downstream. 2) Replace reflector. 3) Check power from IOP and check connections.
Zone will not "sleep".	1) "Sleep" feature disabled. 2) Upstream zone is blocked. 3) Zone controller lens is dirty.	1) Set "Sleep" to "Enable". 2) Unblock Zone. 3) Clean zone controller lens.

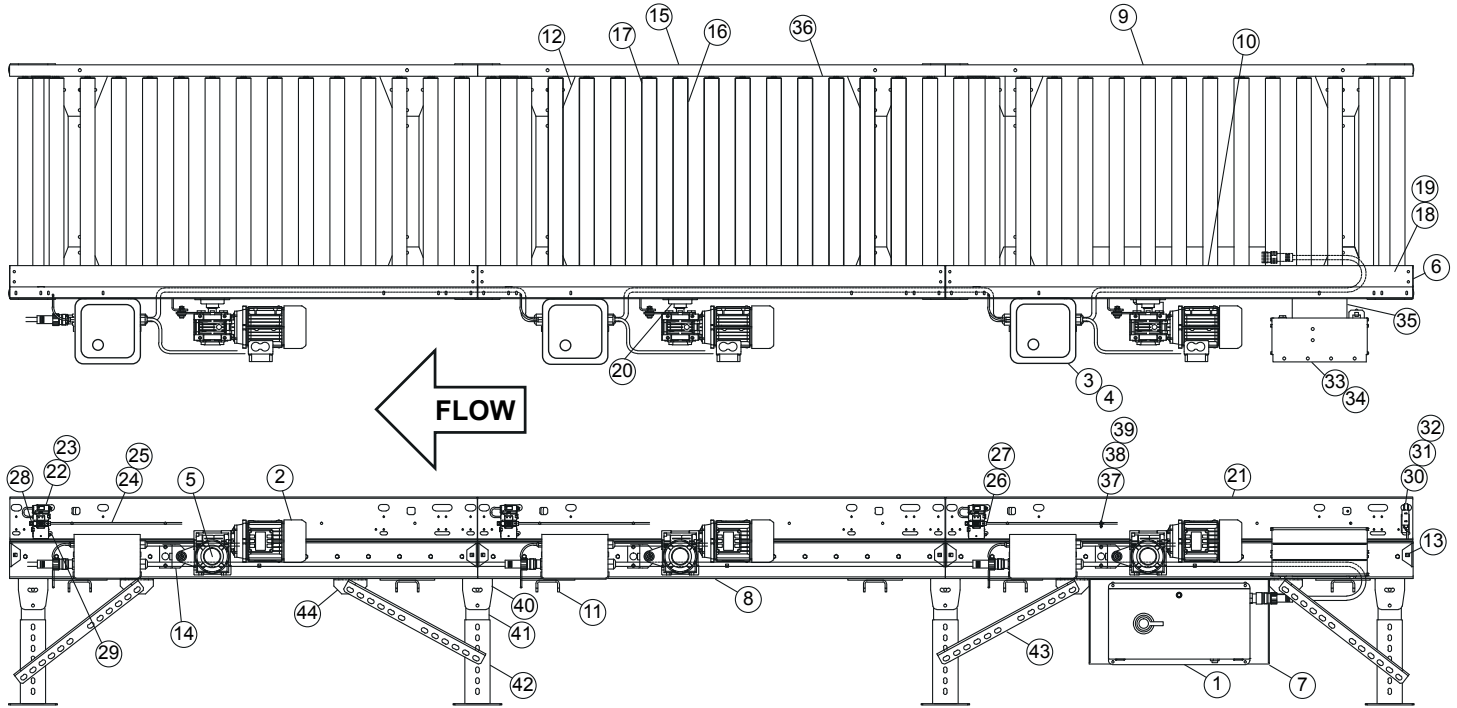
## • Accumulation Assembly (199, 25, 36 CREZD)

*Ensamble de la Acumulacion*



# • Model 199-CREZD Parts Drawing & List

Dibujo y Lista del las Partes del 199-CREZD

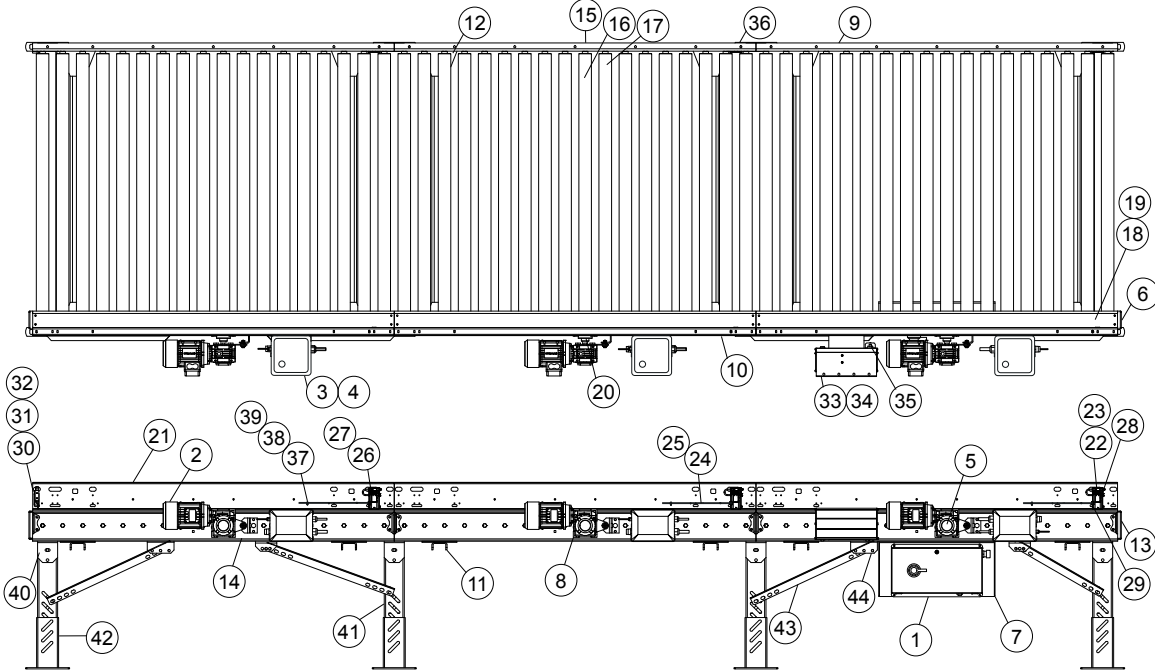


REF NO.	PART NO.	DESCRIPTION
1	EB-000040	EZDrive Disconnect Panel
—	EB-000048	Single Circuit 230 V 3PH 60HZ 15AMP, 1-5 zones
—	EB-000041	Single Circuit 460 V 3PH 60HZ 15AMP, 1-10 zones
—	EB-000049	Dual Circuit 230 V 3PH 60HZ 30AMP, 6-10 zones
—	EB-000049	Dual Circuit 460 V 3PH 60HZ 30AMP, 11-20 zones
2	033.07101	Gearmotor
—	033.07102	1/3HP 230/460/3PH 60HZ 15:1 Ratio 58FPM
—	033.07102	1/3HP 230/460/3PH 60HZ 25:1 Ratio 35FPM
3	EB-000021	EZDrive Starter Box
—	EB-000021	230V Starter Box
—	EB-000029	460V Starter Box
4	PT-150017	Starter Box Mounting Angle
5	090.2036	Shaft Key 1/4 in. sq. x 3-1/4 in long
6	PT-049545	Chain Guard End Cap
7	WA-029091	Disconnect Panel Mounting Angle
—	WA-029091	Non-Reversing Disconnect Panel
—	WA-032475	Reversing Disconnect Panel
8	Contact Factory	Frame Channel - Drive Side
9	Contact Factory	Frame Channel
10	—	Chain Return
—	PT-108076	6 in. Centers (Specify Length)
—	PT-108074	4 in. Centers (Specify Length)
11	PT-049538	Channel Bed Spacer (Specify BR)
12	B-25355	Brace Plate
13	PT-106292	Butt Coupling
14	PT-067406	Torque Arm Channel
15	WA-014214	Roller Mounting Stud
16	SA-047505	1.9 Dia. Drive Roller (Specify BR)
17	SA-021382	1.9 Dia. Slave Roller (Specify BR)
18	—	Chain Guard
—	P-01827	6 in. Centers (Specify Length)
—	P-01826	4 in. Centers (Specify Length)
19	—	#40 Chain Length
—	029.1431	6 in. Centers
—	029.138	4 in. Centers
20	010.0029	2-Bolt Flange Bearing - 1-1/8 in. Bore
21	—	Accumulation Channel
—	PT-034856	Retro-Reflective (Specify Length)
—	B-25367	Diffuse (Specify Length)
22	—	Unitized Zone Controller
—	032.501	Retro-Reflective
—	032.502	Diffuse
23	032.517	Mounting Base for Zone Controller
24	—	Cordset - Zone to Zone Communication
—	032.551	12 in. Long
—	032.554	30 in. Long
—	032.555	36 in. Long
—	032.556	48 in. Long

REF NO.	PART NO.	DESCRIPTION
—	032.557	60 in. Long
—	032.558	72 in. Long
25	—	Extension Cable - Zone to Zone Communication
—	032.560	3 ft. Long
—	032.561	10 ft. Long
26	032.550	Infeed Zone Terminator
27	032.010	Upstream Connector Cover
28	032.011	Downstream Connector Cover
29	—	Auxilliary Input Cable
—	032.563	3 ft. Long
—	032.564	10 ft. Long
30	—	Infeed Wake-up Eye
—	032.591	Retro-Reflective
—	032.592	Diffuse
31	PT-067575	Infeed Wake-up Eye Mounting Bracket
32	PT-067576	Infeed Wake-up Eye Pivot Bracket
33	032.582	IOP
34	032.559	IOP T Cable
35	PT-073987	IOP Mounting Plate
36	—	Reflector
—	032.2181	Adhesive Backed - 2.40 in. Dia.
—	032.218	Bolt on - 2.40 in. Dia.
—	SA-039800	.930 in. Wide x 1.600 in. Tall Reflector /Tape Assy.
—	953.0055	.930 in. Wide x 1.600 in. Tall Bolt on
37	094.1141	Push Button Mount
38	091.109	Cable Tie - 5-1/2 in. Long
39	094.1143	EZ Twist Lock
40	—	MS Type Pivot Plate
—	B-21027	3-3/4 in. Wide, 1-9/16 in. High
—	B-04103	3-3/4 in. Wide, 4 in. High
41	—	Floor Support Frame
—	B-00914	6 in. High (Specify OAW)
—	B-12777	7 in. High (Specify OAW)
—	B-12778	8 in. High (Specify OAW)
—	B-00915	9 in. High (Specify OAW)
—	B-00916	11-1/2 in. High (Specify OAW)
—	B-00917	14-1/2 in. High (Specify OAW)
—	B-02098	18-1/2 in. High (Specify OAW)
—	B-00919	22-1/2 in. High (Specify OAW)
—	B-00921	32-1/2 in. High (Specify OAW)
—	B-00923	44-1/2 in. High (Specify OAW)
—	B-00925	56-1/2 in. High (Specify OAW)
—	B-02107	68-1/2 in. High (Specify OAW)
—	B-02109	78-1/2 in. High (Specify OAW)
—	B-02111	90-1/2 in. High (Specify OAW)
42	B-00911	Adjustable Foot Assembly (Specify Length)
43	G-00794	Knee Brace - Heavy Duty (Specify Length)
44	G-00793	Knee Brace Bracket - Heavy Duty

# • Model 25-CREZD Parts Drawing & List

Dibujo y Lista del las Partes del 25-CREZD

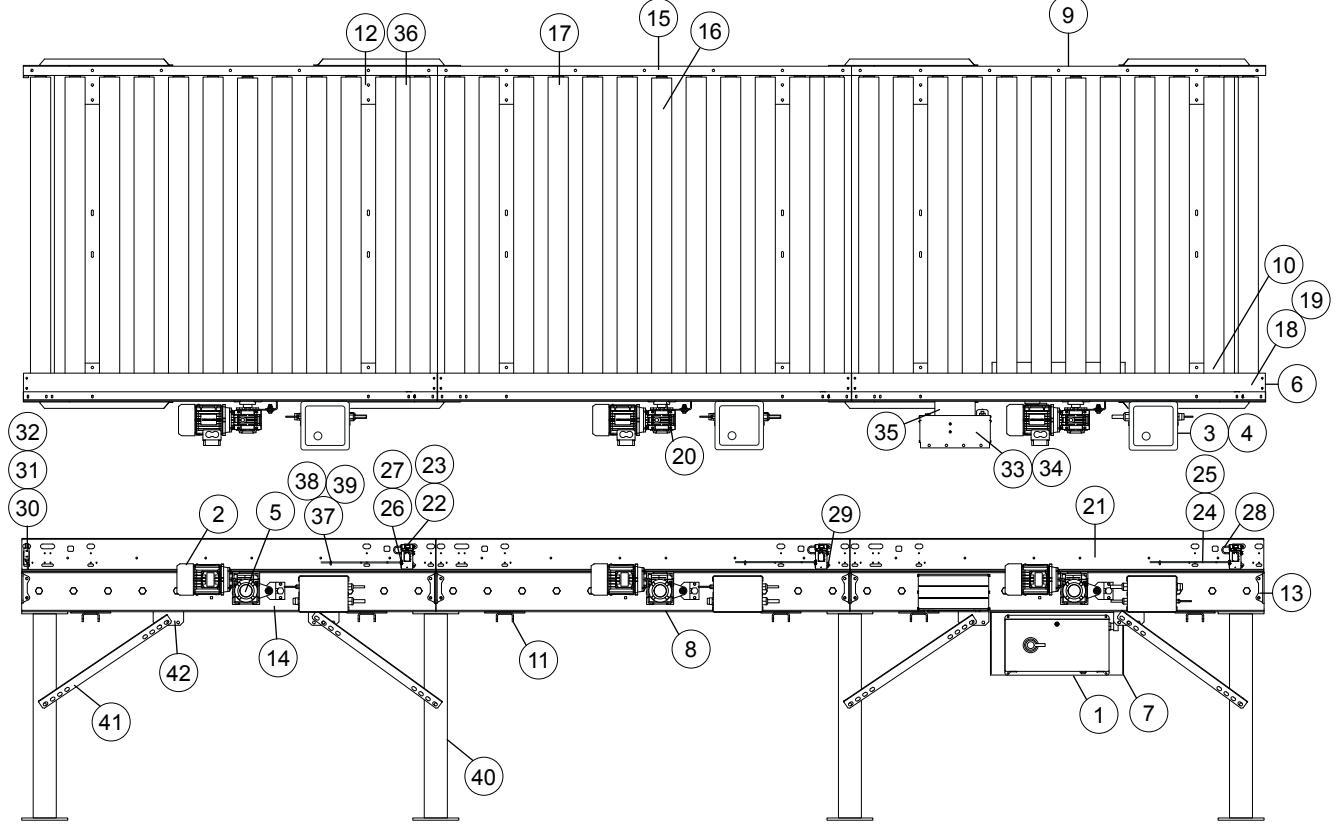


REF NO.	PART NO.	DESCRIPTION
1	-	EZDrive Disconnect Panel
—	EB-000040	Single Circuit 230V 3PH 60HZ 15AMP, 1-5 Zones
—	EB-000048	Single Circuit 460V 3PH 60HZ 15AMP, 1-10 Zones
—	EB-000041	Dual Circuit 230V 3PH 60HZ 30AMP, 6-10 Zones
—	EB-000049	Dual Circuit 460V 3PH 60HZ 30AMP, 11-20 Zones
2	-	Gearmotor
-	033.0714	1/2 HP 230/460/3/60, 40:1, 28FPM
-	033.0713	1/2 HP 230/460/3/60, 50:1, 38FPM
3	-	EZDrive Starter Box
-	EB-000021	230V Starter Box
-	EB-000029	460V Starter Box
4	PT-150017	Starter Box Mounting Plate
5	090.2036	Shaft Key 1/4 in. sq. x 3-1/4 in. long
6	-	Chain Guard End Cap
-	B-03815	6 in. Centers
-	B-17615	4 in. Centers
7	-	Disconnect Panel Mounting Angle
-	WA-029091	Non-Reversing Disconnect Panel
-	WA-032475	Reversing Disconnect Panel
8	Contact Factory	Frame Channel - Drive Side
9	Contact Factory	Frame Channel
10	-	Chain Return
-	B-25353	6 in. (Specify Length)
-	B-22917	4 in. (Specify Length)
11	B-25354	Channel Bed Spacer (Specify BR)
12	B-25355	Brace Plate
13	PT-106291	Butt Coupling
14	PT-106384	Torque Arm Channel
15	B-17127	Roller Mounting Stud
16	SA-047506	25 Dia. Drive Roller (Specify BR)
17	B-15261	25 Dia. Slave Roller (Specify BR)
18	-	Chain Guard (Specify Length)
-	P-01408	6 in. Centers (Specify Length)
-	P-01406	4 in. Centers (Specify Length)
19	-	#40 Chain Length
-	029.144	6 in. Centers
-	029.140	4 in. Centers
20	010.00222	2-Bolt Flange Bearing
21	-	Accumulation Channel
-	PT-034856	Retro-reflective (Specify Length)
-	B-25367	Diffuse (Specify Length)
22	-	Unitized Zone Controller
-	032.501	Retro-reflective
-	032.502	Diffuse
23	032.517	Mounting Base for Zone Controller
24	-	Cordset - Zone to Zone Communication
-	032.551	12 in. Long
-	032.554	30 in. Long
-	032.555	36 in. Long
-	032.556	48 in. Long

REF NO.	PART NO.	DESCRIPTION
-	032.557	60 in. Long
-	032.558	72 in. Long
25	-	Extension Cable - Zone to Zone Communication
-	032.560	3 ft. Long
-	032.561	10 ft. Long
26	032.550	Infeed Zone Terminator
27	032.010	Upstream Connector Cover
28	032.011	Downstream Connector Cover
29	-	Auxiliary Input Cable
-	032.563	3 ft. Long
-	032.564	10 ft. Long
30	-	Infeed Wake-up Eye
-	032.591	Retro-reflective
-	032.592	Diffuse
31	PT-067575	Infeed Wake-up Eye Mounting Bracket
32	PT-067576	Infeed Wake-up Eye Pivot Bracket
33	032.582	IOP
34	032.559	IOP T Cable
35	PT-073987	IOP Mounting Cable
36	-	Reflector
-	032.2181	Adhesive backed - 2.40 in. Dia.
-	032.218	Bolt on - 2.40 in. Dia.
-	SA-039800	.930 in. Wide x 1.600 in. Tall Reflector/Tape Assy.
-	953.0055	.930 in. Wide x 1.600 in. Tall Bolt on
37	094.1141	Push Button Mount
38	091.109	Cable Tie - 5-1/2 in. Long
39	094.1143	EZ Twist Lock
40	-	HS Type Pivot Plate
-	B-18734	HSN Type Pivot Plate - Short Narrow
-	B-18735	HSN Type Pivot Plate - Tall Narrow
41	-	HSF Floor Support Frame
-	HSN-01	4-1/2 in. High(Specify OAW)
-	HSN-02	6 in. High(Specify OAW)
-	HSN-03	9 in. High (Specify OAW)
-	HSN-04	12 in. High (Specify OAW)
-	HSN-05	15 in. High (Specify OAW)
-	HSN-06	18 in. High (Specify OAW)
-	HSN-07	24 in. High (Specify OAW)
-	HSN-08	30 in. High (Specify OAW)
-	HSN-09	42 in. High (Specify OAW)
-	HSN-10	54 in. High (Specify OAW)
-	HSN-11	66 in. High (Specify OAW)
-	HSN-12	78 in. High (Specify OAW)
42	-	Adjustable Foot Assembly
-	G-00611	5-1/8 in. High
-	G-00613	7-1/4 in. High
-	G-00614	10-1/4 in. High
-	G-00615	18-3/8 in. High
43	G-00794	Knee Brace - Heavy Duty (Specify Length)
44	G-00793	Knee Brace Bracket - Heavy Duty

# • Model 36-CREZD Parts Drawing & List

*Dibujo y Lista del las Partes del 36-CREZD*



REF NO.	PART NO.	DESCRIPTION
1	-	EZDrive Disconnect Panel
-	EB-000040	Single Circuit 230V 3PH 60HZ 15AMP, 1-5 Zones
-	EB-000048	Single Circuit 460V 3PH 60HZ 15AMP, 1-10 Zones
-	EB-000041	Dual Circuit 230V 3PH 60HZ 30AMP, 6-10 Zones
-	EB-000049	Dual Circuit 460V 3PH 60HZ 30AMP, 11-20 Zones
2	-	Gearmotor
-	033.0714	1/2 HP 230/460/3/60, 40:1, 40FPM
-	033.07142	1/2 HP 230/460/3/60, 50:1, 32FPM
3	-	EZDrive Starter Box
-	EB-000021	230V Starter Box
-	EB-000029	460V Starter Box
4	PT-150017	Starter Box Mounting Plate
5	090.2036	Shaft Key 1/4 in. sq. x 3-1/4 in. long
6	PT-110058	Chain Guard End Cap
7	-	Disconnect Panel Mounting Angle
-	WA-029091	Non-Reversing Disconnect Panel
-	WA-032475	Reversing Disconnect Panel
8	Contact Factory	Frame Channel - Drive Side
9	Contact Factory	Frame Channel
10	PT-110054	Chain Return (Specify Length)
11	B-25354	Channel Bed Spacer (Specify BR)
12	B-25355	Brace Plate
13	PT-110056	Butt Coupling
14	PT-106384	Torque Arm Channel
15	WA-032662	Roller Mounting Stud
16	SA-049197	3.5 Dia. Drive Roller (Specify BR)
17	B-15851	3.5 Dia. Slave Roller (Specify BR)
18	PT-110108	Chain Guard (Specify Length)
19	029.155	#60 Chain Length
20	010.00222	2-Bolt Flange Bearing
21	-	Accumulation Channel
-	PT-034856	Retro-reflective (Specify Length)
-	B-25367	Diffuse (Specify Length)
22	-	Unitized Zone Controller
-	032.501	Retro-reflective
-	032.502	Diffuse
23	032.517	Mounting Base for Zone Controller
24	-	Cordset - Zone to Zone Communication
-	032.551	12 in. Long
-	032.554	30 in. Long
-	032.555	36 in. Long
-	032.556	48 in. Long
-	032.557	60 in. Long
-	032.558	72 in. Long
25	-	Extension Cable - Zone to Zone Communication
-	032.560	3 ft. Long
-	032.561	10 ft. Long
26	032.550	Infeed Zone Terminator
27	032.010	Upstream Connector Cover

REF NO.	PART NO.	DESCRIPTION
28	032.011	Downstream Connector Cover
29	-	Auxiliary Input Angle
-	032.563	3 ft. Long
-	032.564	10 ft. Long
30	-	Infeed Wake-up Eye
-	032.591	Retro-reflective
-	032.592	Diffuse
31	PT-067575	Infeed Wake-up Eye Mounting Bracket
32	PT-067576	Infeed Wake-up Eye Pivot Bracket
33	032.582	IOP
34	032.559	IOP T Cable
35	PT-073987	IOP Mounting Angle
36	-	Reflector
-	032.2181	Adhesive backed - 2.40 in. Dia.
-	032.218	Bolt on - 2.40 in. Dia.
-	SA-039800	.930 in. Wide x 1.600 in. Tall Reflector/Tape Assy.
-	953.0055	.930 in. Wide x 1.600 in. Tall Bolt on
37	094.1141	Push Button Mount
38	091.109	Cable Tie - 5-1/2 in. Long
39	094.1143	EZ Twist Lock
40	-	HSF Floor Support Frame (Fixed Height)
-	B-08186	4 in. High (Specify BR)
-	B-08187	4 5/8 in. High (Specify BR)
-	B-08188	5 5/8 in. High (Specify BR)
-	B-08189	6 5/8 in. High (Specify BR)
-	B-08190	7 5/8 in. High (Specify BR)
-	B-08191	8 5/8 in. High (Specify BR)
-	B-08192	9 5/8 in. High (Specify BR)
-	B-08193	10 5/8 in. High (Specify BR)
-	B-08194	11 5/8 in. High (Specify BR)
-	B-08195	12 5/8 in. High (Specify BR)
-	B-08196	13 5/8 in. High (Specify BR)
-	B-08197	14 5/8 in. High (Specify BR)
-	B-08198	15 5/8 in. High (Specify BR)
-	B-08199	16 5/8 in. High (Specify BR)
-	B-08200	17 5/8 in. High (Specify BR)
-	B-08201	18 5/8 in. High (Specify BR)
-	B-08202	19 5/8 in. High (Specify BR)
-	B-08203	20 5/8 in. High (Specify BR)
-	B-08204	21 5/8 in. High (Specify BR)
-	B-08205	22 5/8 in. High (Specify BR)
-	B-08206	23 5/8 in. High (Specify BR)
-	B-08207	24 5/8 in. High (Specify BR)
-	WA-012979	25 5/8 in. High (Specify BR)
-	WA-0006868	26 5/8 in. High (Specify BR)
-	WA-008133	27 5/8 in. High (Specify BR)
-	WA-009530	30 5/8 in. High (Specify BR)
-	WA-019668	33 5/8 in. High (Specify BR)
41	G-00794	Knee Brace - Heavy Duty (Specify Length)
42	G-00793	Knee Brace Bracket - Heavy Duty



# ÍNDICE

## INTRODUCCIÓN

Recepción y Desembalaje .....	14
Cómo Ordenar Refaccionamiento .....	14
INFORMACIÓN DE SEGURIDAD .....	14
INSTALACIÓN	
Instalación de los Soportes .....	15
Montaje del Transportador .....	15, 16
Secciones Descuadradas .....	16
Equipo Eléctrico .....	16, 17
Secuencia de Operación .....	17
Sistema EZLogic .....	17
Motor Controlador EZDrive .....	18
Aplicaciones de Carga .....	18, 19
Aplicaciones de Descarga .....	19, 20
OPERACIÓN	
Arranque del Transportador .....	20
MANTENIMIENTO	
Lubricación .....	20
Resolviendo Problemas .....	21
Lista del Plan de Mantenimiento .....	Cubierta Posterior
PARTES DE REPUESTO	
Ensamble de la Acumulación .....	10
Dibujo y Lista del Partes del 199-CREZD .....	11
Dibujo y Lista del Partes del 25-CREZD .....	12
Dibujo y Lista del Partes del 36-CREZD .....	13

# INTRODUCCIÓN

Este manual proporciona información para instalar, operar y dar mantenimiento a su transportador. Se proporciona una lista completa de partes, con el refaccionamiento recomendado resaltado en gris. También se proporciona información importante de seguridad a lo largo de este manual. Para seguridad del personal y para un mejor funcionamiento del transportador, se recomienda que se lean y se sigan cada una de las instrucciones proporcionadas en este manual.

## • Recepción y Desembalaje

1. Verifique el número de partes recibidas con respecto al conocimiento del embarque.
2. Examine las condiciones del equipo para determinar si algún daño ha ocurrido durante el transporte.
3. Traslade todo el equipo al área de instalación.
4. Remueva todos los empaques y verifique si hay partes adicionales que puedan estar sujetas al equipo. Asegúrese de que estas partes (u otras partes ajenas al equipo) sean removidas.

## • Cómo Ordenar Refaccionamiento

En este manual encontrará dibujos de las partes con listas completas de las refacciones. Partes pequeñas, como tornillos y tuercas no están incluidos. Para ordenar refaccionamiento:

1. Contacte al representante que le vendió el transportador o el distribuidor de Hytrol más cercano.
2. Proporcione el Modelo del Transportador y el Número de Serie o Número de la Orden de Fabricación.
3. Proporcione el Número de las partes y descripción completa que aparece en la Lista de Partes.
4. Proporcione el tipo de motor. Ejemplo- Unidad Motriz en Extremo Final de 8", Unidad Motriz Central de 8", etc.
5. Si su equipo se encuentra en una situación crítica, comuníquese con nosotros inmediatamente.

**NOTA: Si algún daño ha ocurrido o faltan partes, contacte a su integrador Hytrol**



# INFORMACIÓN DE SEGURIDAD

## • Instalación

### PROTECCIÓN Y SEGURIDAD

Interfaz de los equipos. Cuando dos o más piezas de equipo son interconectadas, se deberá prestar especial atención a la zona de la interfaz para asegurar la presencia de guardas y dispositivos de seguridad adecuados.

Localización o posición. Para procurar la protección de los trabajadores ante los riesgos, todas las partes móviles expuestas de la maquinaria deberán ser aseguradas mecánica

o eléctricamente, o protegidas mediante el cambio de localización o posición.

La presencia alejada del público o empleado constituirá una medida de seguridad por ubicación.

Cuando el transportador esté instalado sobre pasillos, corredores o estaciones de trabajo; se considera protegido únicamente por localización o posición si todas las partes en movimiento están mínimo a 8 pies (2,44 m) por encima del piso o área de tránsito. De otra manera se pueden ubicar de tal manera que los empleados no entren en contacto con partes móviles peligrosas sin querer.

Aunque los transportadores aéreos pueden estar protegidos por su ubicación, deben proporcionarse guardas para evitar derrames: guardas laterales e inferiores; Esto si el producto puede caerse del transportador y así mantener al personal fuera de peligro.

### ESPACIO LIBRE SUPERIOR

Cuando los transportadores son instalados sobre pasillos, salidas o corredores; se deberá disponer de un espacio libre mínimo de 6 pies 8 pulgadas (2,032 m), medido verticalmente desde el suelo o mezanine a la parte más baja del transportador o de las guardas

Cuando el funcionamiento del sistema sea afectado al guardar la distancia mínima de 6 pies 8 pulgadas (2,032 m), deberán autorizarse pasillos alternos de emergencia.

Es posible permitir el paso bajo transportadores con menos de 6 pies 8 pulgadas (2,032 m) desde el piso, con excepción de las salidas de emergencia. Para esto se requiere una señalización apropiada que indique altura baja.

## • Operación

A) Sólo los empleados capacitados están autorizados a operar los transportadores. El entrenamiento debe incluir: operación bajo condiciones normales y en situaciones de emergencia.

B) Cuando la seguridad de los trabajadores dependa de dispositivos de paro y/o arranque, tales dispositivos deben mantenerse libres de obstrucciones para permitir un acceso rápido.

C) El área alrededor de los puntos de carga y descarga deberá mantenerse libre de obstrucciones que puedan poner en peligro al personal.

D) Ninguna persona podrá viajar en el elemento de carga de un transportador sin excepción; al menos que esta persona esté específicamente autorizado por el propietario o el empleador. En esas circunstancias, el empleado deberá montarse solamente en un transportador que tenga incorporado en sus plataformas de estructura de soporte o estaciones de control especialmente diseñadas para el transporte de personal. Esto no es permisible en un transportador vertical.

E) El personal que trabaja con un transportador, o cerca de uno; debe ser notificado de la ubicación y operación de los dispositivos de paro pertinentes.

F) Un transportador debe ser usado únicamente para transportar el material que es capaz de cargar.

G) Las indicaciones de seguridad del transportador no deben ser alteradas bajo ninguna circunstancia, especialmente si esto pone en peligro al personal.

H) Las Inspecciones de rutina, así como el mantenimiento correctivo y preventivo deben ser llevados a cabo de modo que todos los dispositivos e indicaciones de seguridad sean respetados y funcionen adecuadamente.

I) El personal debe ser notificado del peligro potencial que puede ser causado en los transportadores debido al uso de cabello largo, ropa holgada y joyería.

J) Nunca se debe dar mantenimiento o servicio a un transportador mientras se encuentre en operación, a menos que el mantenimiento o servicio apropiado lo requiera. En este caso, el personal debe ser notificado del peligro que esto representa y de cómo se puede llevar a cabo el procedimiento de la manera más segura.

K) Los dueños de los transportadores deben asegurarse de que las etiquetas de seguridad se encuentren colocadas sobre el transportador, indicando los peligros que implica la operación de sus equipos.

**¡PRECAUCIÓN! Debido a que el transportador contiene muchas partes en movimiento, todo el personal que se encuentra en el área debe ser notificado cuando el equipo esté a punto de arrancar.**

## • Mantenimiento

Todo mantenimiento, incluyendo lubricación y ajustes, debe ser llevado a cabo únicamente por personal entrenado y calificado.

Es importante que el programa de mantenimiento establecido asegure que todos los componentes del transportador reciban el mantenimiento en condiciones que no constituyan un peligro para el personal.

Cuando un transportador es detenido para propósitos de mantenimiento, los dispositivos de arranque y de potencia deben ser asegurados o etiquetados de acuerdo a un procedimiento formalizado diseñado para proteger a todas las personas o grupos que trabajan con el transportador en caso de que ocurra algún arranque inesperado.

Verifique todos los dispositivos y guardas de seguridad antes de arrancar el equipo para una operación normal.

Aunque parezca práctico, nunca lubrique los transportadores mientras se encuentren en movimiento. Sólo el personal capacitado que conoce de los peligros de un transportador en movimiento puede realizar la lubricación.

### Guardas de seguridad

Mantenga todas las guardas y dispositivos de seguridad en su posición y en buenas condiciones.

### Etiquetas de seguridad

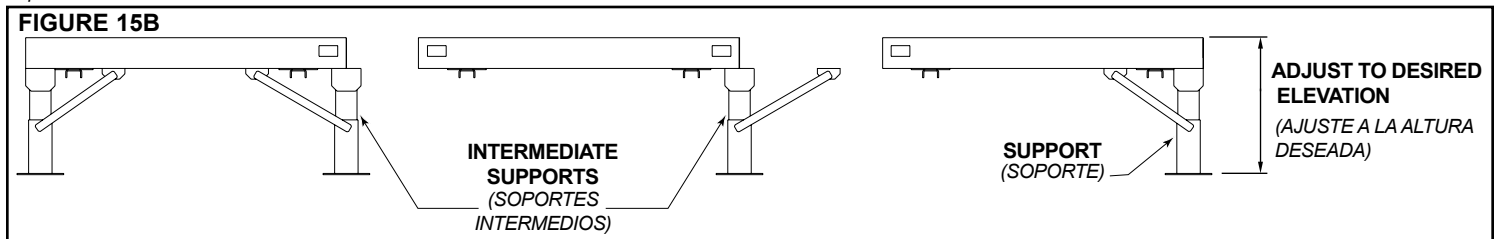
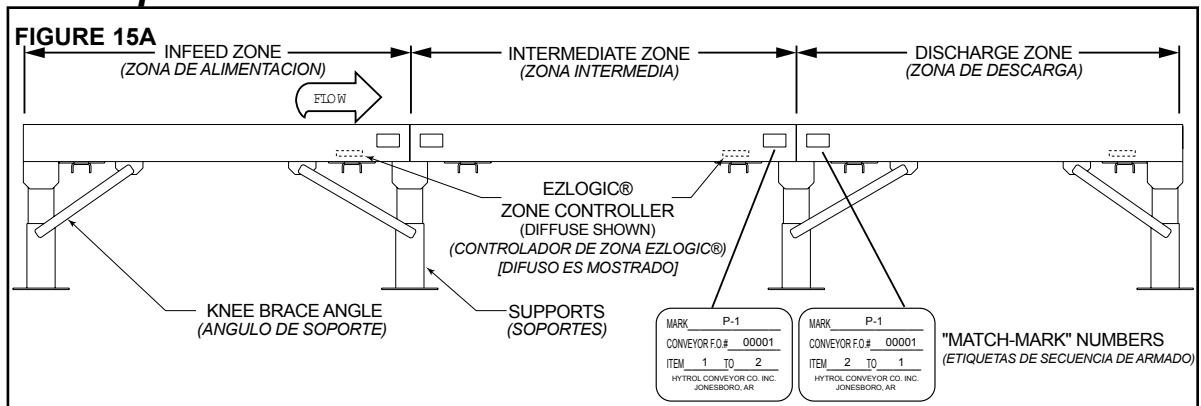
Etiquetas de seguridad han sido ubicadas en diferentes puntos del equipo para alertar de los peligros potenciales existentes; esto en un esfuerzo por reducir la posibilidad de lesiones en el personal que trabaja alrededor de un transportador HYTROL. Por favor, revise el equipo e identifique todas las etiquetas de seguridad. Asegúrese de que el personal conozca y obedezca estas advertencias. Refiérase al manual de seguridad para ver ejemplos de etiquetas de advertencias.

**¡RECUERDE! No remueva, reúse o modifique el material que incluye el equipo para ningún propósito que no sea para el que fueron diseñados originalmente.**



## • Instalación de los Soportes

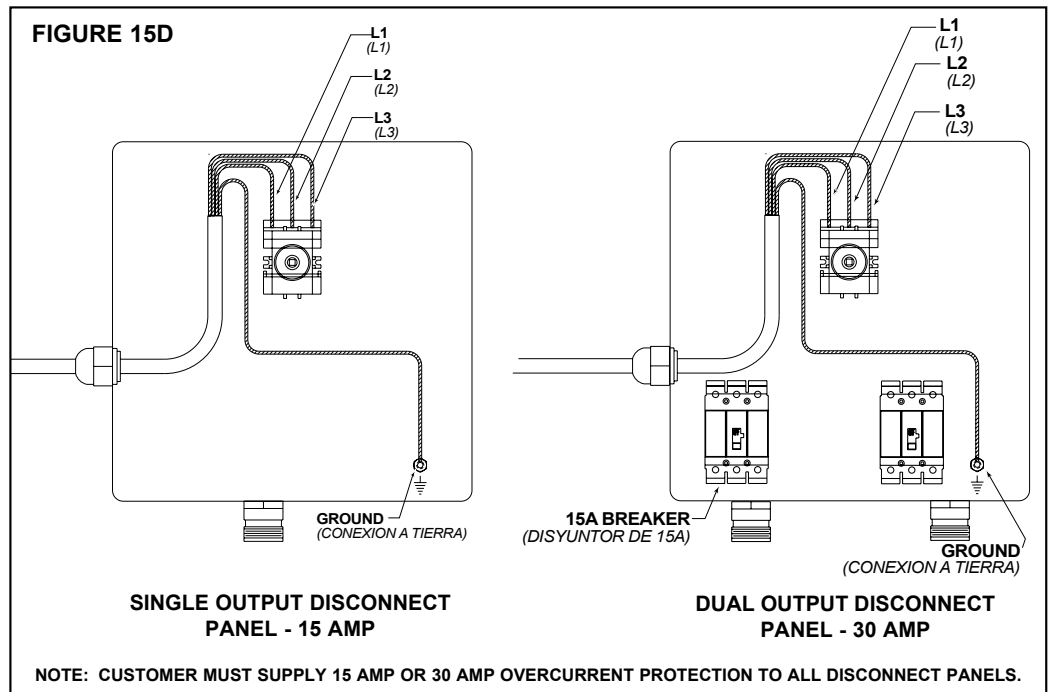
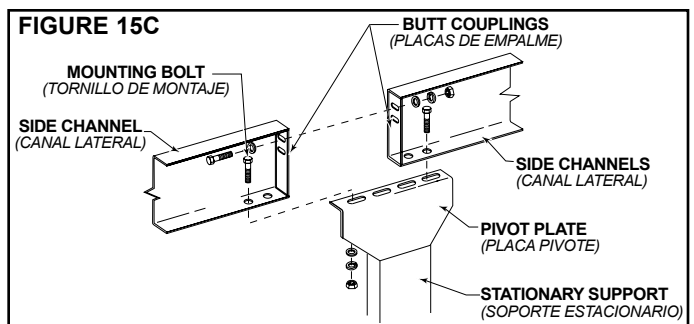
1. Determine la dirección del flujo del producto. La Figura 15A indica la dirección del flujo con relación a los controles EZLogic.
2. Refiérase a las Etiquetas de Secuencia de Armado ubicadas al final de las secciones del transportador (Figure 15A). Posicione las secciones en esta secuencia cerca al área de instalación.
3. Fije los soportes a todas las secciones de transportador como se muestra en las figuras 15B y 15C. En este momento, puede apretar los tornillos manualmente.
4. Ajuste la elevación a la altura requerida.



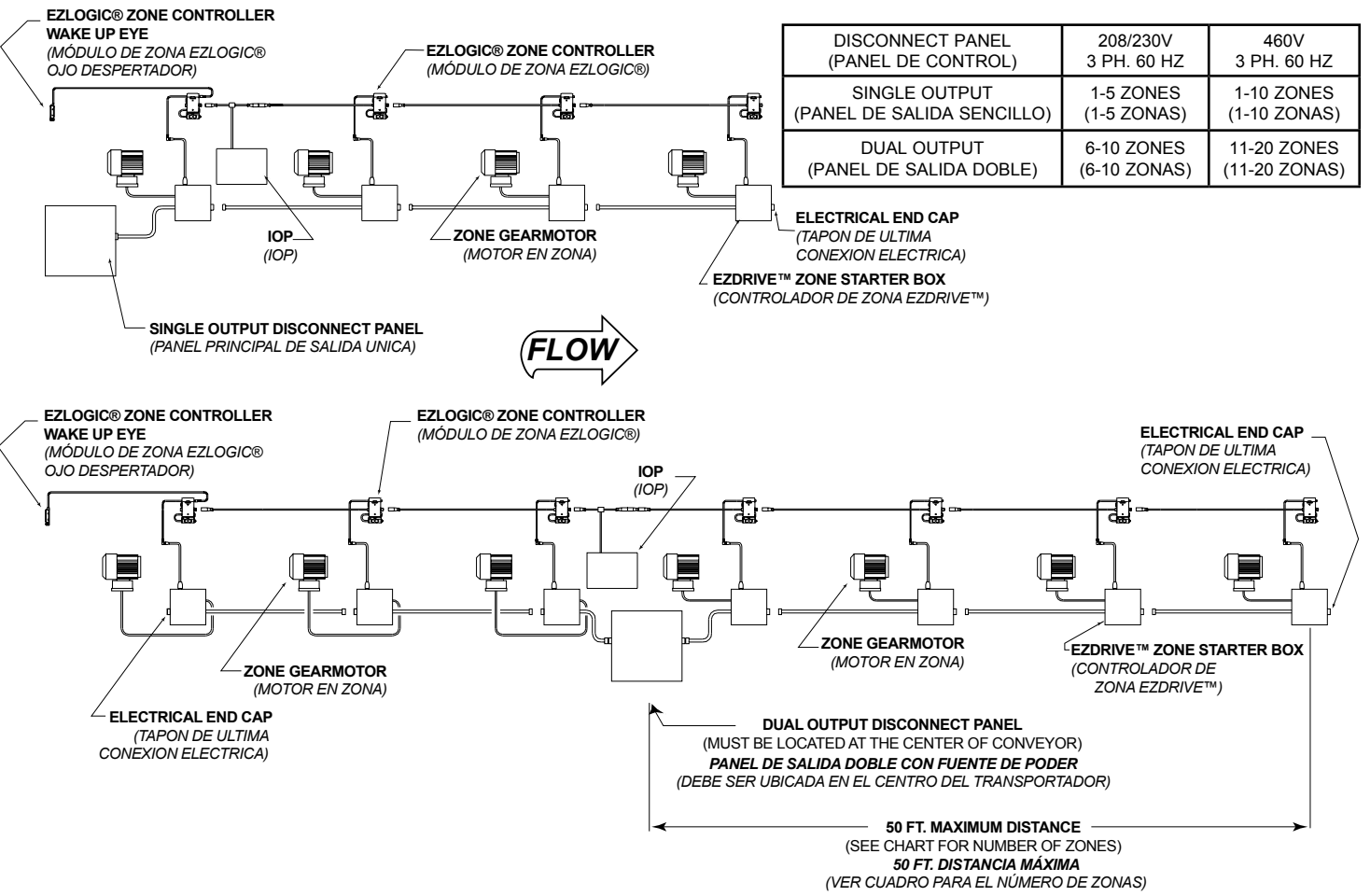
## • Montaje del Transportador

1. Marque con tiza una línea en el suelo para ubicar el centro del transportador.
2. Coloque la sección de alimentación en su posición.
3. Coloque las secciones restantes en la placa pivote del soporte de la sección anterior.
4. Asegure las secciones con placas de empalme y placas pivote (Figura 15C) Apriete los tornillos manualmente.
5. Revise si el transportador esta nivelado a lo ancho y largo de la unidad. Ajuste los soportes como sea necesario.
6. Apriete las placas de empalme y los tornillos de montaje del soporte y ancle el transportador al piso.
7. Conecte el cable del EZLogic y el cable del EZDrive (Figure 16A).
8. Instale los controles eléctricos y conecte el panel de control. El panel de control de salida doble requiere un servicio de 30 amperios. El panel de control sencillo requiere un servicio de 15 amperios. Todas las líneas deben tener fusibles o cortacircuitos apropiados. Vea el panel de control para el voltaje requerido.
9. Conecte la IOP al EZLogic. Vea el manual de componentes de EZLogic para mayor información acerca del IOP.

Nota! Todos los ejes motrices rotan alrededor de diez mil TIR (Total Indicador Runout). Puede llegarse a notar un balanceo del gearmotor y es típico en gearmotors montados en Brazos con Torque. Esto le permite al gearmotor flotar lo cual previene la fatiga del eje motriz o el desgaste prematuro de los componentes del rodamiento.



**FIGURE 16A**



## • Secciones Descuadradas

Es importante revisar que las secciones estén encuadradas. Si el transportador no está encuadrado, pueden presentarse problemas de alineación. La Figura 16B muestra una sección descuadrada.

### PARA CORREGIR UNA SECCION DESCUADRADA

1. Localice puntos en las esquinas de la sección y mida la distancia "A" y "B". Si las dimensiones no son iguales, la sección necesitará ser ajustada (Figura 16B).
2. Después de que todas las secciones hayan sido verificadas y corregidas, apriete todos los tornillos de las placas de unión y de la base superior del soporte.
3. Haga un chequeo final para verificar que todas las secciones del transportador estén niveladas a lo ancho y a lo largo. Si todo el transportador está nivelado, los soportes pueden ser anclados al suelo.

**¡IMPORTANTE!** El transportador desnivelado a lo ancho puede causar el amontonamiento de las cajas en líneas largas de transportadores.

## • Equipo Eléctrico

**¡PRECAUCIÓN!** Debido a la cantidad de partes en movimiento del transportador, todo el personal en el área debe ser notificado cuando el transportador sea puesto en marcha.

**Código Eléctrico:** Todos los controles del motor y las conexiones deben ajustarse al Código Nacional de Electricidad, (Artículo 670 u otros artículos aplicables) como fue publicado por la Asociación Nacional de Protección Contra Incendios, y aprobado por el Instituto de Estándares Americanos.

### ESTACIONES DE CONTROL

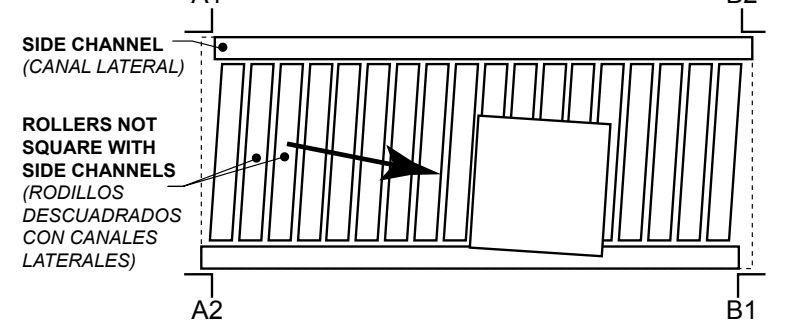
A) Las estaciones de control deberán estar ordenadas y ubicadas en lugares donde el funcionamiento del equipo sea visible y deberán estar claramente marcadas o señalizadas para indicar la función controlada.

B) Un transportador que pueda causar lesiones cuando sea puesto en marcha, no deberá ponerse en funcionamiento hasta que los trabajadores en el área sean alertados por una señal o por una persona designada.

Cuando un transportador pueda causar lesiones al momento de arranque y es controlado automáticamente, o es controlado desde una ubicación lejana; se deberá proporcionar un dispositivo sonoro el cual pueda ser escuchado claramente en todos los puntos a lo largo del transportador donde el personal pueda estar presente. El dispositivo de advertencia deberá ser activado por el dispositivo de arranque del transportador y deberá continuar sonando por un determinado periodo de tiempo previo al arranque del transportador. Si es más efectivo y de acuerdo a las circunstancias se puede utilizar una luz intermitente o una advertencia visual similar, en lugar del dispositivo sonoro.

Cuando el funcionamiento del sistema pueda ser seriamente obstruido

**FIGURE 16B**



o adversamente afectado por el tiempo de retardo requerido, o cuando el intento de advertencia pueda ser mal interpretado (ej., un área de trabajo con diversas líneas de transportadores y los dispositivos de advertencia relacionados), advertencias claras, concisas y legibles deben ser proporcionadas. Las advertencias deben indicar que los transportadores y los equipos relacionados pueden ser puestos en marcha en cualquier momento, que existe un peligro y que el personal debe mantenerse alejado. Estas advertencias deben ser proporcionadas a lo largo del transportador en áreas que no sean protegidas por la posición o la ubicación.

C) Los transportadores controlados automáticamente, desde estaciones lejanas y los transportadores donde las estaciones de funcionamiento no estén controladas por una persona o estén más allá del alcance de la voz y del contacto visual de las áreas de conducción, áreas de carga, puntos de transferencia y otros sitios potencialmente peligrosos localizados en la trayectoria del transportador que no tenga protección por posición, ubicación o guardas, deberán ser equipados con interruptores de parada de emergencia, cordones de parada de emergencia, interruptores de límite o dispositivos similares para paradas de emergencia.

Todos estos dispositivos de parada de emergencia deberán ser fácilmente identificables en las cercanías inmediatas a estos puntos potencialmente peligrosos, a no ser que estén protegidos dada su ubicación, posición o protegidos con guardas. No se requieren los dispositivos de parada de emergencia donde el diseño, el funcionamiento y la operación de tales transportadores no represente un claro peligro para el personal.

El dispositivo de parada de emergencia debe actuar directamente en el control del transportador concerniente y no debe depender de la parada de cualquier otro equipo. Los dispositivos de parada de emergencia deben ser instalados de tal forma que no puedan ser anulados desde otras localidades.

D) Los controles, los actuadores inactivos o no usados y los cables, deberán ser

removidos de las estaciones de control y de los tableros de mando, junto con los diagramas, indicadores, etiquetas de control y otros materiales obsoletos, los cuales pueden confundir al operador.

**DISPOSITIVOS DE SEGURIDAD**

A) Todos los dispositivos de seguridad, incluyendo la conexión de dispositivos eléctricos, deben estar dispuestos para operar en una manera de "Fallo - Seguro"; es decir, si se presenta una pérdida de corriente o una falla en el mismo dispositivo, esto no debe representar ningún peligro.

B) Paros de Emergencia y Reinicio. Los controles del transportador deberán estar dispuestos de tal manera que, en caso de un paro de emergencia se requiera un inicio o arranque manual en la ubicación donde el paro de emergencia se presentó para poder reanudar la operación del transportador o transportadores y equipo asociado.

C) Antes de volver a poner en marcha un transportador que haya sido detenido por una emergencia, debe revisarse y determinar la causa del paro. El dispositivo de arranque deberá ser bloqueado antes de intentar corregir o remover la causa que originó el paro, a no ser que la operación del transportador sea necesaria para determinar la causa o para solucionar el problema.

Refiérase a: ANS I Z244.1-1982, "American National Standard for Personnel Protection" - Lockout/Tagout of Energy Sources - Minimum Safety Requirements and OSHA Standard Number 29 CFR 1910.147 "The Control of Hazardous Energy (Lockout/Tagout)."

**• Secuencia de Operación**

Los modelos CREZD están compuestos por una serie de zonas de acumulación. Cada zona posee un módulo de acumulación EZLogic®, un motor controlador EZDrive™ y un gearmotor. La secuencia de "carga" y "descarga" del transportador es como sigue:

**CARGANDO EL TRANSPORTADOR – SINGULATION MODE (Figura 17A)**

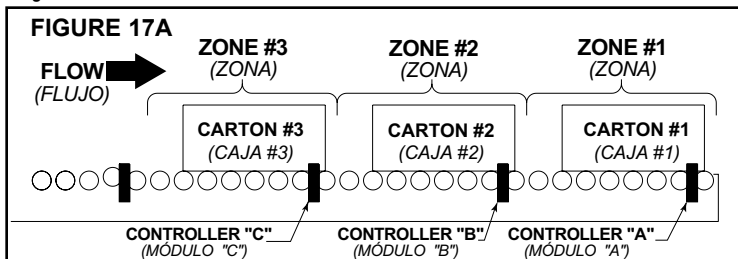
1. Empezando con el transportador "vacío" y la señal de paro "activa" (Refiérase a la sección de "conexiones Auxiliares.") en el módulo de la zona de descarga, un primer producto puesto sobre el transportador hará el recorrido hasta que llegue a la zona de descarga (Zona #1).

Si dos o más productos se colocan sobre el transportador con un espacio de separación entre ellos menor que la longitud de una zona, los productos se separarán durante los primeros pies de recorrido en el transportador hasta que el espacio entre los productos sea por lo menos igual a la longitud de una zona.

2. Cuando el producto #1 activa el módulo "A", la zona #1 se detiene completamente. Una señal es enviada a la zona #2 indicando que la zona #1 está ocupada (Figura 17A).

3. Cuando el producto #2 activa el módulo "B", la zona #2 se detiene completamente. Una señal es enviada a la zona #3 indicando que la zona #2 está ocupada.

4. La secuencia anterior se repite hasta que el transportador esté completamente cargado.

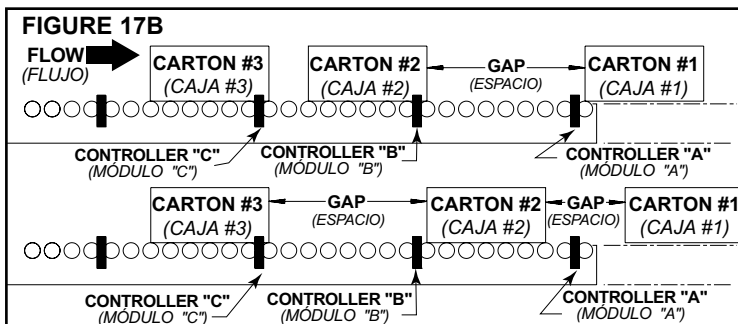


**DESCARGANDO EL TRANSPORTADOR – MODO DE SINGULACIÓN**

1. Se logra liberar el producto #1 "desactivando" la señal de paro en la zona de descarga. (Refiérase a la sección "Conexiones de Paro de Zona" en la página 14.) De esta forma se restablece la tracción en los rodillos de paso en la zona #1. El producto #1 se moverá hacia adelante, causando un espacio entre si mismo y el producto #2 (Figura 17B).

2. Cuando el producto #1 despeja el módulo "A", el producto #2 se moverá hacia adelante creando un espacio entre si mismo y el producto #3.

3. Esta secuencia continuará mientras los productos precedentes continúen moviéndose hacia adelante.



**• Sistema EZLogic**

Conexiones del Sistema de Acumulación EZLogic®  
El Modelo CREZD está equipado con un sistema de acumulación EZLogic®. La siguiente información básica puede ser usada como guía durante la instalación y el montaje del transportador. Para información más detallada sobre los componentes del sistema EZLogic®, sus opciones, funciones, y

programación, refiérase al "Manual de Componentes EZLogic®".

Cada módulo EZLogic® está equipado con conectores sellados que permiten la comunicación zona-a-zona, con salida solenoide y con conexiones de paro de zona (Fig. 15B). Estas conexiones se describen a continuación.

**CONEXIONES DE ZONA**

Cada módulo posee un micro-conector macho integrado en su interior y un cable terminado con un micro-conector hembra. Este cable transmite potencia a todos los módulos en el transportador y también comunicación entre los módulos (Fig. 17C).

Todos los módulos son montados y conectados en la fábrica, en cada sección del transportador. Las conexiones entre las secciones se hacen durante la instalación (Ver Montaje). El cable de un módulo debe ser conectado siempre al módulo de la sección anterior. De esta forma los módulos reconocen la dirección del flujo de los productos.

El cable del módulo en la zona de alimentación del transportador, debe ir simplemente amarrado al canal y no será conectado. El cable de la zona de alimentación puede reemplazarse con un terminador de zona de carga (PN 032.550). Se proporcionan capas protectoras para sellar los conectores que no se utilicen.

Cuando se van a conectar dos transportadores contiguos, se requiere un conector transportador-transportador opcional. Refiérase al "Manual de Componentes EZLogic®" para mayor información.

**CONEXIONES DEL EZDRIVE™**

Cada módulo de acumulación posee un cable incorporado que provee una señal de tracción/no-tracción al controlador EZDrive™ que opera la zona.

Este cable termina con un conector hembra sellado, "Pico-style", que cierra a presión. La conexión se hace presionando el cable conector al conector macho correspondiente del motor controlador hasta que cierre completamente. Recuerde que esta señal debe ser usada solo para operar el mecanismo de la zona del transportador. No debe ser usada como una señal de salida a otros dispositivos de control. Si se requiere una señal de control, se debe usar un módulo de acumulación con I/O opcional. Por favor refiérase al "Manual de Componentes EZLogic®" para mayor información.

**CONEXIONES AUXILIARES**

Cada controlador de zona EZLogic® está equipado con un puerto auxiliar. Este conector puede ser usado para aceptar, ya sea una señal de paro de zona, una señal de entrada continua (slug), o una señal de activación de zona, simplemente conectando el cable de entrada auxiliar al puerto auxiliar y después conectando los dos cables a cualquier dispositivo interruptor, como de palanca o relevador (tipo "dry contact"). No se requieren más componentes. El ajuste estándar es para señal de paro de zona. Para usar la señal de entrada continua (slug) o la señal de activación de zona, programe los controladores de zona según lo descrito en el "EZLogic® Component Manual"

Nota: No aplique voltaje a estos cables o conecte más de un controlador de zona a cualquier contacto.

Cerrando los contactos de parada pondrán al controlador EZLogic® en el modo "acumulador". El siguiente cartón que active el controlador se detendrá en la "zona de paro" hasta que vuelva a haber contacto.

La característica de paro es usada en los transportadores para controlar la salida del producto de la zona de descarga. Otras zonas pueden ser conectadas con esta característica en cualquier momento.

**CONEXIONES EN SLUG MODE**

El sistema de acumulación EZLogic® provee dos modos de acumulación los cuales pueden ser seleccionados por el usuario: "Singulation" y "Slug" Mode. (Diríjase a la para las descripciones en la "Secuencia de la Operación"). El modo deseado de operación debe ser programado en los módulos de acumulación durante la instalación (Refiérase al "Manual de Componentes EZLogic®"). Si el usuario desea alternar entre las operaciones de "singulation" y "slug mode", sin detener el transportador, es necesario obtener un "cable de entrada auxiliar" (Hytrol N/P 032.563). El modo estándar es "singulation mode". Si el usuario desea operar el transportador en slug mode, o si el usuario desea alternarlos entre los dos modos, los siguientes procedimientos deben usarse.

**SOLAMENTE "SLUG MODE"**

Programa los controladores de zona en "slug mode" basándose en el "Manual de Componentes EZLogic®".

**SINGULATION/SLUG SELECCIONABLE**

1. Instale un cable auxiliar de entrada (Hytrol P/N 032.563) o cualquier controlador de zona en el transportador. El cable se conecta al puerto auxiliar en el controlador.

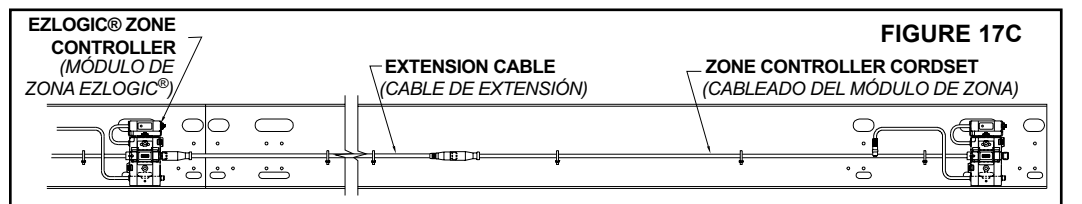
2. Programe el controlador de zona para aceptar una señal continua (slug). Refiérase al Manual de Componentes EZLogic® para mayor información.

3. Conecte los dos cables del cable de entrada auxiliar a cualquier dispositivo interruptor de palanca o un relevador.

Con el interruptor abierto, el transportador trabajara en modo "singulation".

4. Cuando este cerrado, el transportador trabajara en modo "slug".

Nota: No aplique voltaje a estos cables o conecte más de un controlador a cualquier contacto.



## • Motor Controlador EZDrive

Cada zona del modelo CREZD está equipada con un motor controlador EZDrive™. El controlador proporciona una zona de interacción entre el módulo EZLogic® y el gearmotor. El controlador realiza las siguientes funciones:

1. Transmite potencia al gearmotor.
2. Permite que el gearmotor sea "controlado remotamente" por un módulo EZLogic.
3. Proporciona protección de sobrecarga al gearmotor.
4. Emite "Luces" para indicar cuando el controlador está recibiendo potencia y cuando se presenta una sobrecarga eléctrica.

Las partes del motor controlador EZDrive™ se muestran en la Figura 18A. Cada una de estas partes y sus funciones se describen a continuación.

### CABLE DE ENERGIA

El cable transmite energía al controlador y al gearmotor. Este termina en un conector macho que desconecta rápidamente. El cable se conecta ya sea al motor controlador anterior en la cadena o al panel de control principal.

### CONECTOR DE ENERGIA

Este es un conector hembra que desconecta rápidamente, montado directamente en el controlador. Es usado para transmitir energía al siguiente controlador en la cadena. El conector macho del cable de energía del siguiente controlador se conecta en este conector. Se tapona el conector del último controlador en la cadena.

### CABLE DEL MOTOR

Este cable proporciona la conexión entre el controlador y el motor. Viene conectado (desde la fábrica) a la instalación eléctrica del motor.

### CABLE DE ENTRADA DE INDICACION DE ARRANQUE

Este cable acepta una señal de arranque/no arranque desde el módulo de acumulación EZLogic. El cable termina en un conector macho, "Pico-Style", que encaja en el conector hembra del módulo EZLogic® el cual controla el gearmotor.

### INDICADOR DE ENERGIA (Verde)

Este indicador estará emitiendo luz todo el tiempo si la potencia esta conectada al controlador.

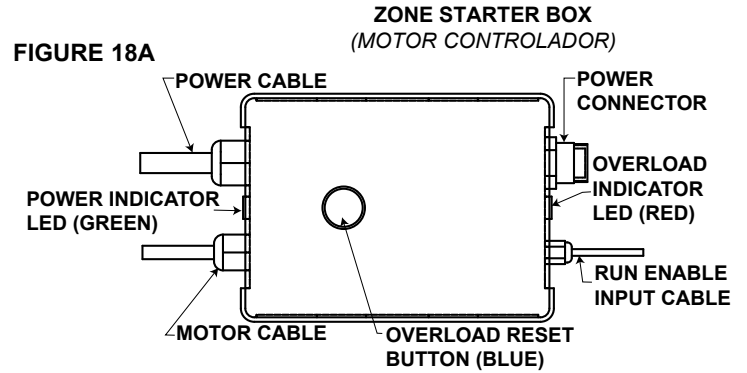
### INDICADOR DE SOBRECARGA (Rojo)

Este indicador emitirá luz si el motor controlador presenta una sobrecarga eléctrica. El controlador debe ser reiniciado manualmente cuando este indicador está encendido.

### BOTON DE REINICIACION POR SOBRECARGA

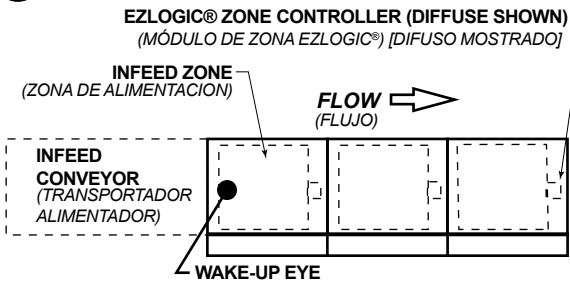
Este botón se usa para reiniciar el motor controlador después de una sobrecarga eléctrica. Si la luz roja de sobrecarga está encendida, presione este botón para reiniciar.

**¡PRECAUCION!** Antes de reiniciar el controlador por sobrecarga, revise la zona del transportador para asegurarse que está libre de obstrucciones o que no está trabado de alguna manera. Dependiendo de la posición de las cargas o si un módulo EZLogic no se ha 'activado', la zona PUEDE ARRANCAR INMEDIATAMENTE CUANDO SE PRESIONA EL BOTON DE REINICIACION.



## • Aplicaciones de Carga

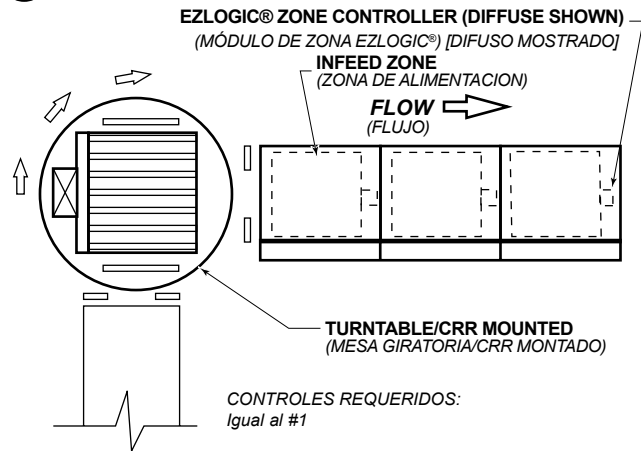
### 1 ALIMENTACION DESDE OTRO TRANSPORADOR



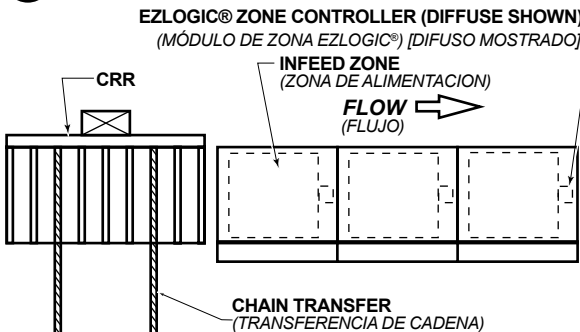
#### CONTROLES REQUERIDOS:

Si la zona de alimentación está ocupada, es necesario un método para controlar el transportador alimentador (si es motorizado). Se puede colocar una fotocelda en la zona de alimentación para avisar que la zona está ocupada o puede usarse un módulo EZLogic con I/O en el extremo de descarga de la zona de alimentación en vez del módulo EZLogic estándar, para proporcionar una señal que indique que la zona de alimentación está ocupada. Una foto celda de activación detecta la carga y despierta la zona.

### 2 ALIMENTACION DESDE UNA MESA GIRATORIA



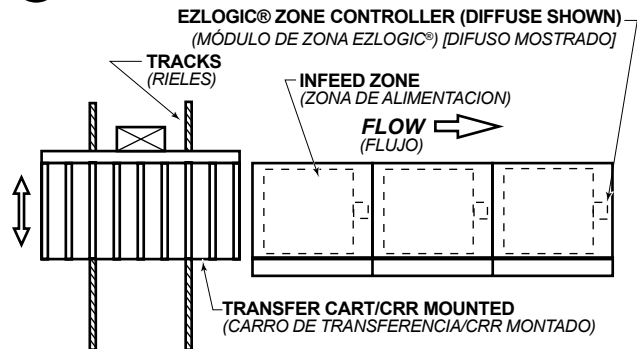
### 3 ALIMENTACION DESDE UNA TRANSFERENCIA DE CADENADOR



#### CONTROLES REQUERIDOS:

Igual al #1

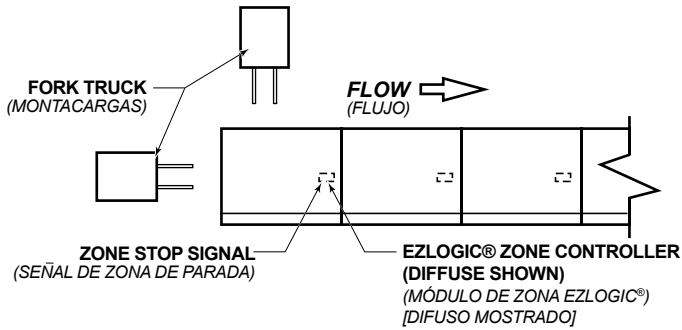
### 4 ALIMENTACION DESDE UN CARRO DE TRANSFERENCIA



#### CONTROLES REQUERIDOS:

Igual al #1

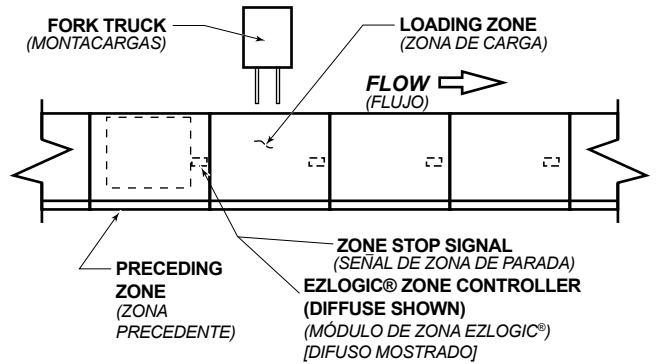
### 5 ALIMENTACION LATERAL / EXTREMO DESDE UN MONTACARGAS



**CONTROLES REQUERIDOS:**

Cuando se carga la zona del extremo, esta debe retener la carga hasta que el montacargas se retire. Una señal de paro de zona en la zona de alimentación hará este trabajo. Se puede utilizar una fotocelda que detecte el montacargas o un interruptor controlado por el conductor para activar la señal de paro de zona. El módulo EZLogic® en la zona de alimentación puede necesitar ser reubicado para detectar el producto antes de poner el producto en la zona, de lo contrario, los rodillos no dejarán de girar. Esto también se puede realizar al usar la opción de carga de zona de EZLogic®. Ver el Manual de Componentes de EZLogic® para más detalles.

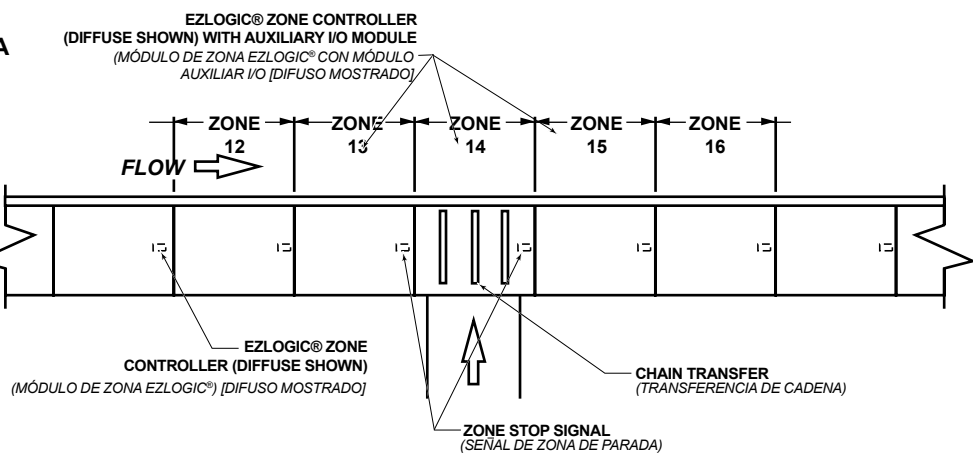
### 6 ALIMENTACION LATERAL EN UNA ZONA INTERMEDIA (DEBE DESIGNARSE COMO ZONA DE CARGA)



**CONTROLES REQUERIDOS:**

Cuando se carga una sección intermedia, la zona de carga designada y la zona precedente deben ser controladas. Una señal de paro de zona en las dos zonas puede hacer esto. Se puede utilizar una fotocelda que detecte el montacargas o un interruptor controlado por el conductor para activar la señal de paro de zona. El módulo EZLogic® en la zona de alimentación puede necesitar ser reubicado para detectar el producto antes de poner el producto en la zona, de lo contrario, los rodillos no dejarán de girar. Esto también se puede realizar al usar la opción de carga de zona de EZLogic®. Ver el Manual de Componentes de EZLogic® para más detalles.

### 7 ALIMENTACION LATERAL CON UNA TRANSFERENCIA DE CADENA

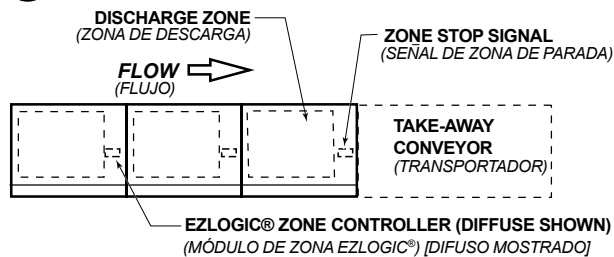


**CONTROLES REQUERIDOS:**

Cuando una sección intermedia con una transferencia de cadena es cargada por uno de sus lados, las zonas precedentes y posteriores a la zona de transferencia (13 y 15) deben ser monitoreadas y/o controladas. La zona de transferencia (14) debe estar libre antes de que el producto pueda ser transferido al transportador. Una señal de paro de zona en (13) evitará la entrada de cualquier carga al área de transferencia. Una señal de paro de zona en (14) evitará que la carga siendo transferida avance hasta que la transferencia esté en posición correcta. Se requieren otros controles para la línea de transferencia y de alimentación.

## • Aplicaciones de Descarga

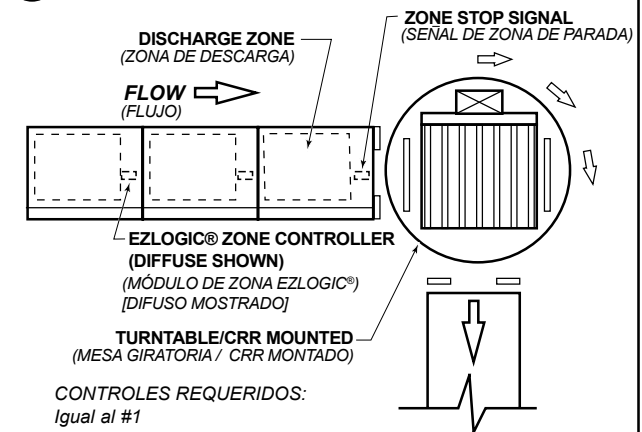
### 1 DESCARGA EN OTRO TRANSPORTADOR



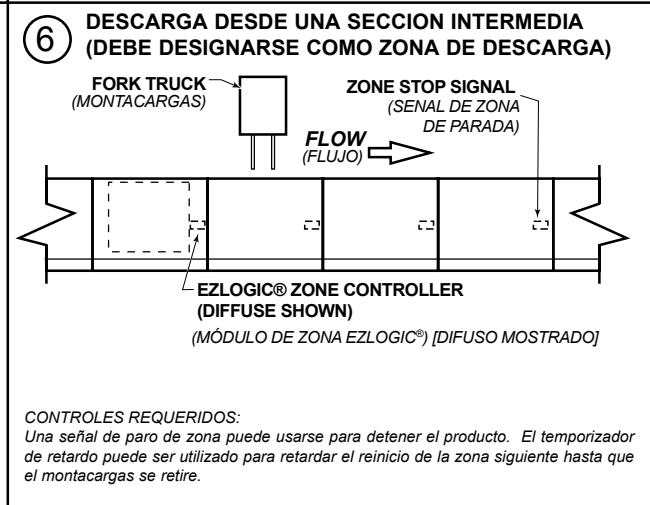
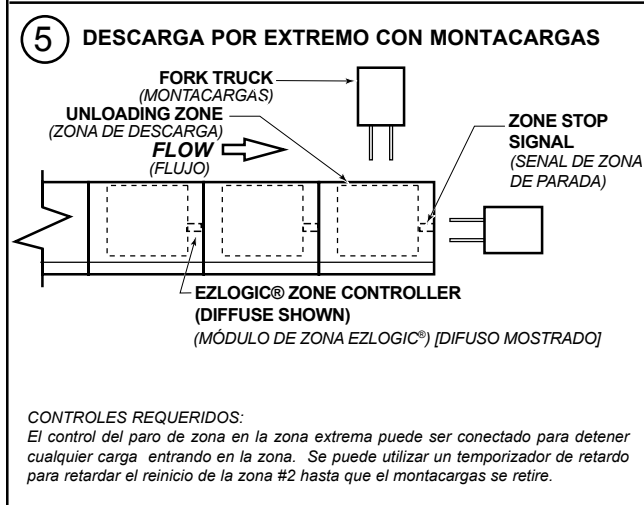
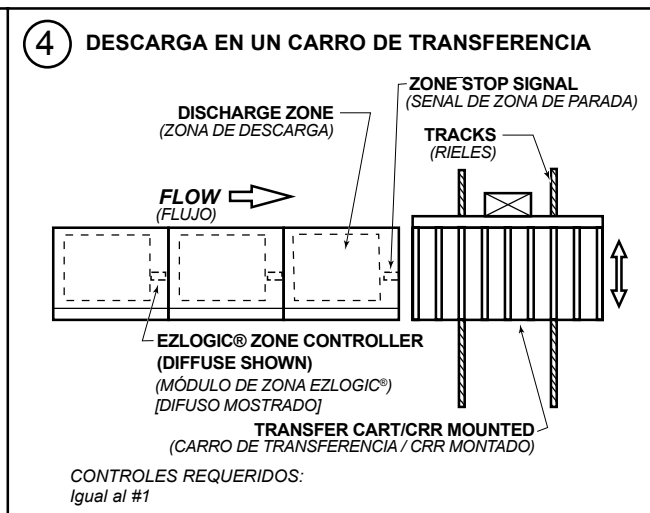
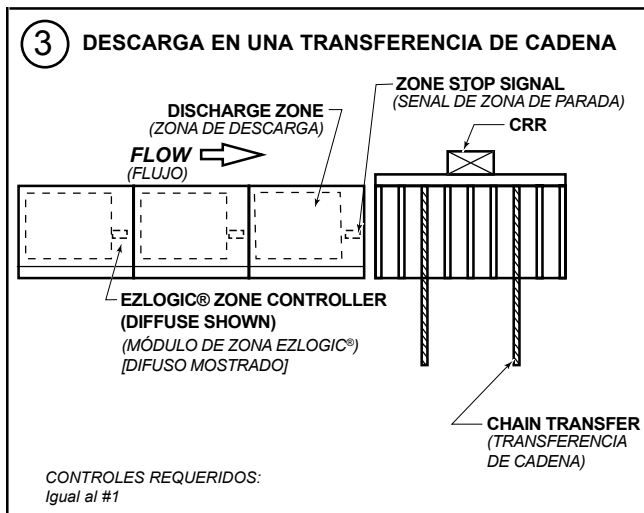
**CONTROLES REQUERIDOS:**

Una señal estándar de paro de zona se utiliza para detener la carga. Remueva la señal para liberar la carga.

### 2 DESCARGA EN UNA MESA GIRATORIA



**CONTROLES REQUERIDOS:**  
Igual al #1



## • Arranque del Transportador

Antes de poner en marcha el transportador, revise si hay objetos ajenos que puedan haber sido dejados dentro del transportador durante la instalación. Estos objetos pueden causar serios daños en el arranque.

Después de poner en marcha el transportador, cuando esté operando, revise los motores, reductores y partes en movimiento para estar seguro de que están trabajando libremente.

¡PRECAUCION! Debido a la cantidad de partes en movimiento en el transportador, todo el personal en el área del transportador necesita ser advertido de que este está a punto de ponerse en marcha.

# MANTENIMIENTO

## • Lubricación

La cadena motriz ha sido pre-lubricada por el fabricante mediante un proceso de sumersión caliente que asegura una lubricación total de todos sus componentes. Sin embargo, una lubricación apropiada y continua extenderá su vida útil considerablemente.

La lubricación de la cadena motriz cumple varios propósitos:

- Proteger contra el desgaste de la unión de pines de la cadena
- Lubricar las superficies de contacto entre la cadena y la catarina
- Prevenir la oxidación o corrosión

En operaciones bajo condiciones ambientales normales, lubrique cada 2080 horas de operación o cada 6 meses, lo que ocurra primero. Hágalo con un lubricante basado en petróleo no-detergente de buen grado o sintético (ej. Shell Rotella o Mobil 1). Para mejores resultados, siempre utilice una brocha para lubricar la cadena generosamente. La viscosidad apropiada del lubricante afecta enormemente el fluido del mismo hacia las áreas internas de la cadena. Refiérase a la siguiente tabla para consultar la viscosidad de lubricante adecuada para su aplicación.

Ambient Temperature Degrees F	SAE	ISO
20-40	20	46 or 68
40-100	30	100
100-120	40	150

El requerimiento de lubricación de la cadena motriz se ve afectado considerablemente por las condiciones de operación. En condiciones difíciles tales como: ambientes húmedos, ambientes con polvo, velocidades excesivas, o temperaturas elevadas, se recomienda lubricar la cadena con más frecuencia. Lo apropiado sería que bajo estas condiciones se establezca un programa de lubricación espe-

cífico para su aplicación. Este programa podrá llevarse a cabo inspeccionando la lubricación suficiente de la cadena motriz en intervalos regulares de tiempo. Una vez se ha determinado el intervalo en el cual la cadena no se encuentra suficientemente lubricada, lubríquela y programe los siguientes intervalos de acuerdo al intervalo anterior.



## • Resolviendo Problems

<u>RESOLVIENDO PROBLEMAS DE TRANSMISION</u>		
<b>PROBLEMA</b>	<b>CAUSA</b>	<b>SOLUCION</b>
<i>La zona no arranca o el motor se detiene frecuentemente.</i>	1) <i>El motor está sobrecargado o pasa demasiada corriente.</i>	1) <i>Revise si hay sobrecarga en el transportador.</i> 2) <i>Revise el calentador o disyuntory cámbielo si es necesario.</i> 3) <i>Revise que se establezca el amperaje apropiado en una sobrecarga.</i>
<i>Desgaste excesivo de las catarinas y de la cadena motriz.</i>	1) <i>Falta de lubricación de la cadena causando su estiramiento lo cual ocasiona un engranaje inapropiado de cadena con catarina.</i>	1) <i>Reemplace la cadena . Lubrique adecuadamente.</i>
<i>Funcionamiento muy ruidoso.</i>	1) <i>Rodamiento defectuoso.</i> 2) <i>Tornillo candado flojo.</i>	1) <i>Reemplace rodamiento.</i> 2) <i>Apriete el tornillo candado.</i>
<i>Motor o reductor recalentado.</i>	1) <i>Transportador está sobrecargado.</i> 2) <i>Bajo voltaje al motor.</i>	1) <i>Revise la capacidad del transportador y reduzca la carga al nivel recomendado.</i> 2) <i>Un electricista debe revisar y corregir lo necesario.</i>
<i>El transportador no funciona y el indicador verde está apagado.</i>	1) <i>Transportador sin corriente.</i> 2) <i>El switch está apagado.</i> 3) <i>Se presentó sobrecarga eléctrica.</i>	1) <i>Conectar corriente.</i> 2) <i>Prender el switch.</i> 3) <i>Presionar el botón de reinicialización por sobrecarga.</i>
<u>RESOLVIENDO PROBLEMAS DE ACUMULACION</u>		
<b>PROBLEMA</b>	<b>CAUSA</b>	<b>SOLUCION</b>
<i>El producto no acumula en una o varias zonas.</i>	1) <i>El cable del módulo está desconectado.</i> 2) <i>El cable de control de zona está desconectado.</i> 3) <i>La caja de control de zona no funciona.</i> 4) <i>El módulo no funciona.</i>	1) <i>Conecte el cable nuevamente</i> 2) <i>Conecte el cable nuevamente</i> 3) <i>Repare/reemplace la caja de control de zona</i> 4) <i>Reemplace el módulo.</i>
<i>La zona no tiene impulso.</i>	1) <i>Lentes del módulo están sucios.</i> 2) <i>Falta el reflector o está dañado.</i> 3) <i>Pérdida de energía en el módulo de acumulación.</i>	1) <i>Limpie los lentes en las zonas anteriores y posteriores.</i> 2) <i>Reemplace el reflector.</i> 3) <i>Revise el flujo de energía desde la fuente de poder y revise las conexiones.</i>
<i>La zona no se duerme.</i>	1) <i>La característica "sleep" está desactivada.</i> 2) <i>La zona anterior está bloqueada.</i> 3) <i>Lentes del módulo están sucios</i>	1) <i>Active el "Sleep".</i> 2) <i>Libere la zona.</i> 3) <i>Limpie los lentes de los módulos de la zona.</i>





## • Planned Maintenance Checklist

**Note:** Check Set Screws for proper torque value after the first 24 hours of operation.

*(Lista de Mantenimiento Preventivo)*

**NOTA:** REVISAR LOS TORNILLOS DE FIJACIÓN PARA OBTENER EL TORQUE ADECUADO DESPUÉS DE LAS PRIMERAS 24 HORAS DE OPERACIÓN.

Component (Componente)	Suggested Action (Acción Sugerida)	Schedule (Horario)		
		Weekly (Semanal)	Monthly (Mensual)	Quarterly (Trimestral)
Gearmotor	Check Noise <i>(Revisar el Ruido)</i>			
	Check Temperature <i>(Revisar la Temperatura)</i>			
	Check Oil Level <i>(Revisar el Nivel de Aceite)</i>			
	Check Mounting Bolts <i>(Revisar los Tornillos de Montaje)</i>			
Drive Chain <i>(Cadena Motriz)</i>	Check for Wear <i>(Revisar el Desgaste)</i>			
Sprockets and Rollers <i>(Engranajes y Rodillos)</i>	Check for Wear <i>(Revisar el Desgaste)</i>			
	Check Noise <i>(Revisar el Ruido)</i>			
	Check Bearing Lubrication <i>(Verificar Lubricacion de los Baleros)</i>			
Structural <i>(Estructura)</i>	General Check: All loose bolts, etc., tightened <i>(Revision General: Tornillos sueltos, etc.)</i>			



A: 2020 HYTROL STREET  
JONESBORO, ARKANSAS 72401

T: (870) 935.3700  
F: (870) 931.1877

W: WWW.HYTROL.COM