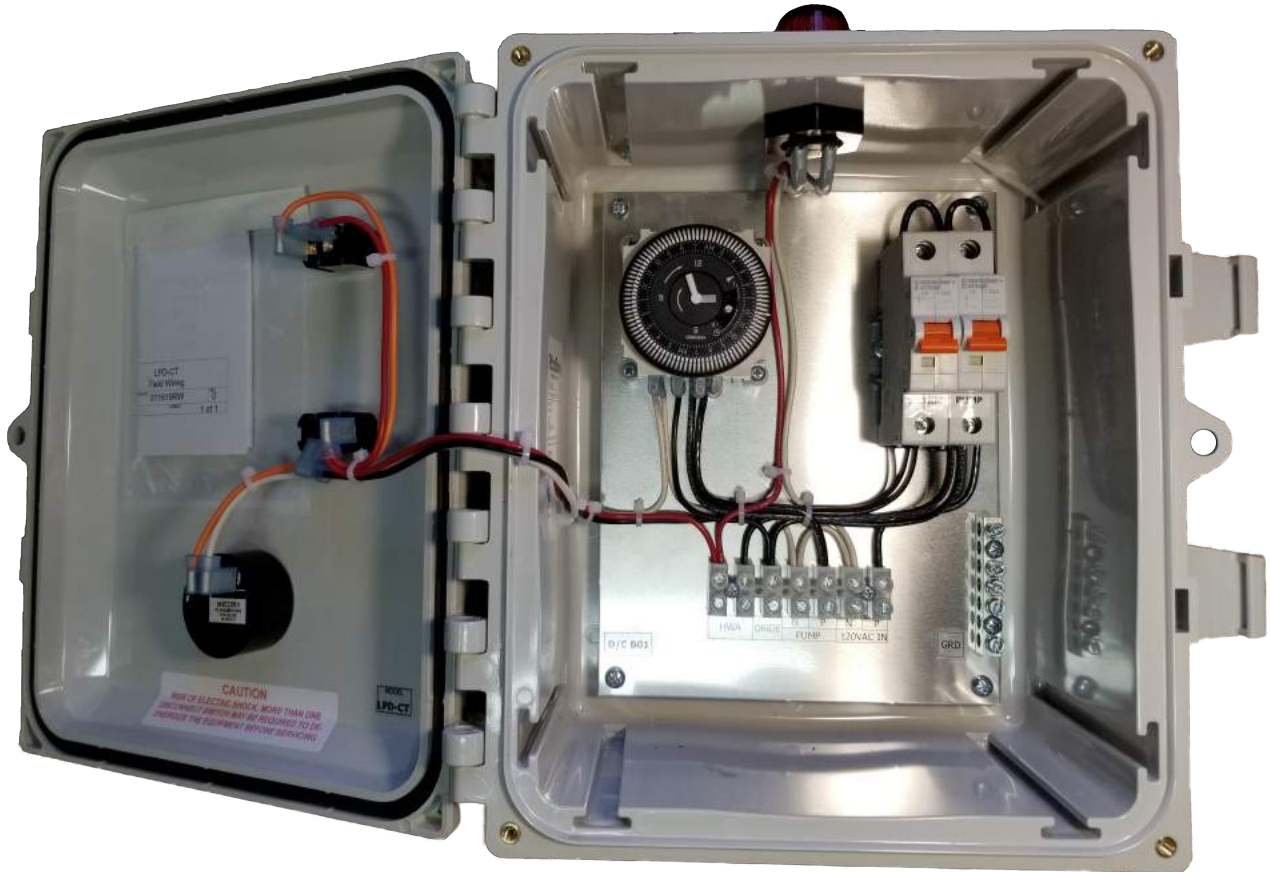
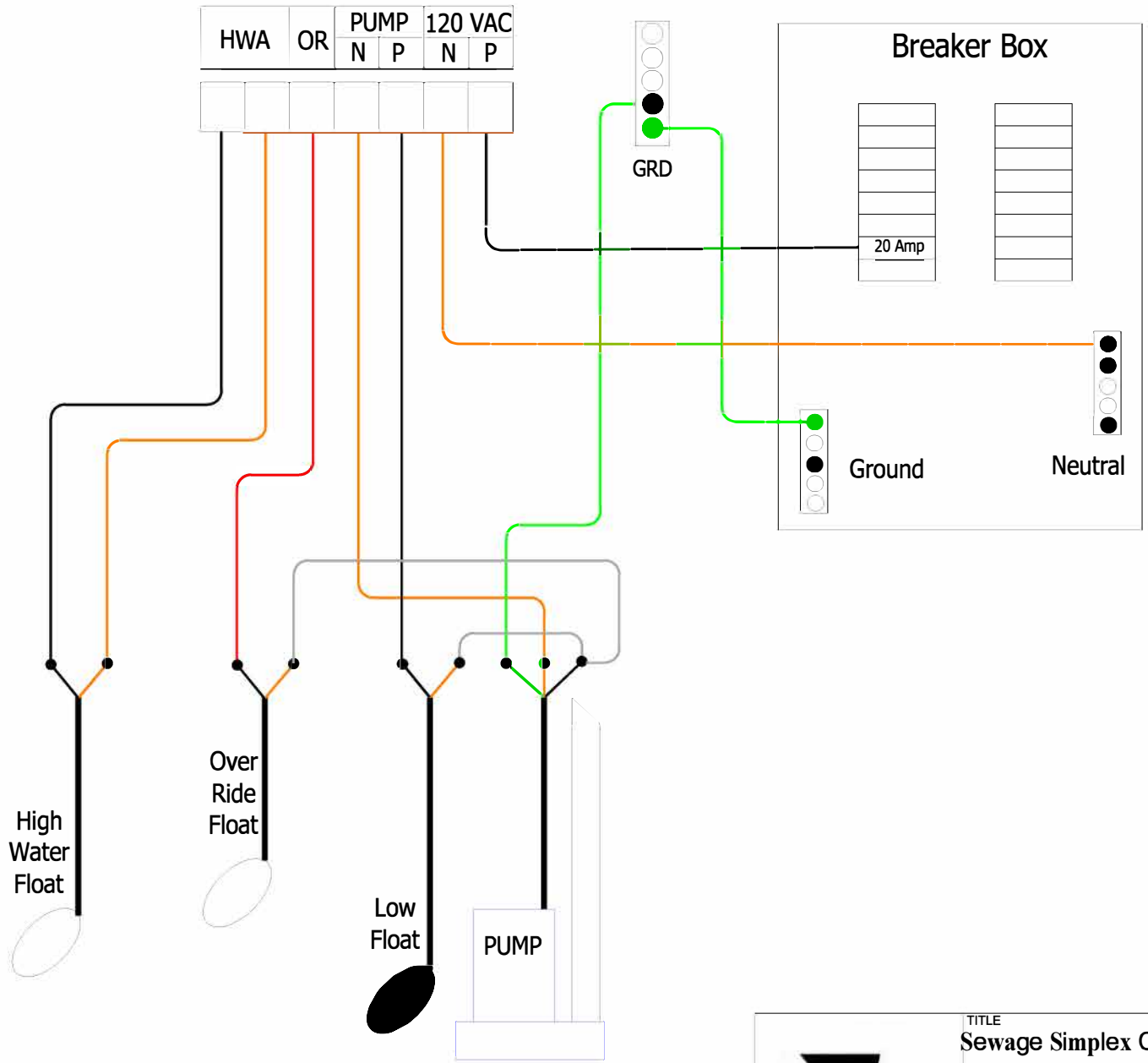





Sewage Simplex Clock Timer Control



- Lift Station control for 120 VAC ½ HP or less pump.
- Pump operation will use a Grasslin 15 minute pin timer.
- Demand Pump Timer switch inside the enclosure.
- High water alarm will use a N/O float.
- Alarm Test and Silence switch in the door.
- Enclosure H x W x D = 10 x 8 x 4"



	TITLE			
	Sewage Simplex Clock Timer Control Panel 120V			
	Field Wiring			
SIZE	CAGE CODE	DWG NO	REV	
B		011619RW	0	
SCALE	SHEET		1 of 1	