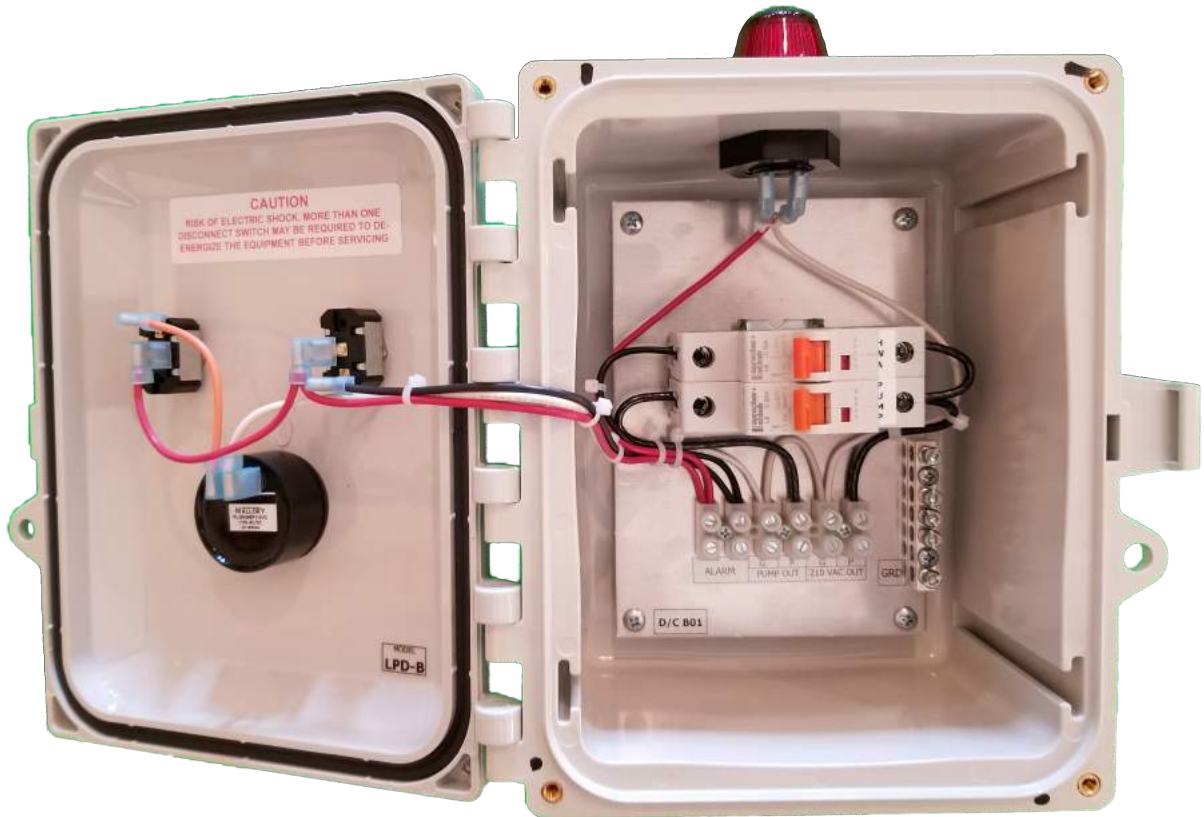
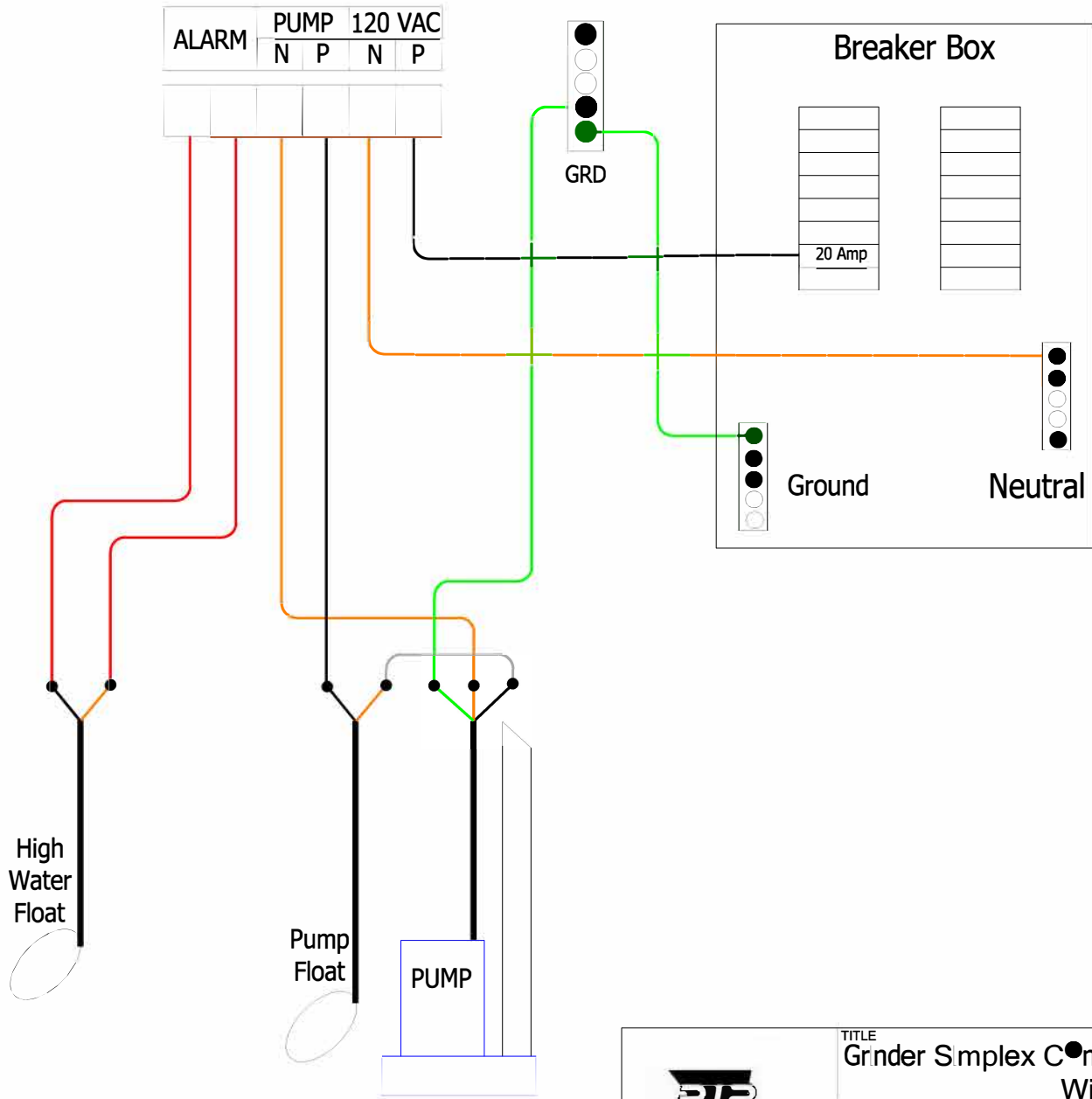





Grinder Simplex Control Panel 120V



- Lift Station control for 120 VAC ½ HP or less pump.
- Pump operation will be on demand.
- High water alarm will use a N/O float.
- Alarm Test and Silence switch in the door.
- Enclosure H x W x D = 8 x 6 x 4"



	TITLE			Grinder Simplex Control Panel 120V Field Wiring	
	SIZE	CAGE CODE	DWG NO	REV	
B		011619RW	0		
SCALE		SHEET	1 of 1		