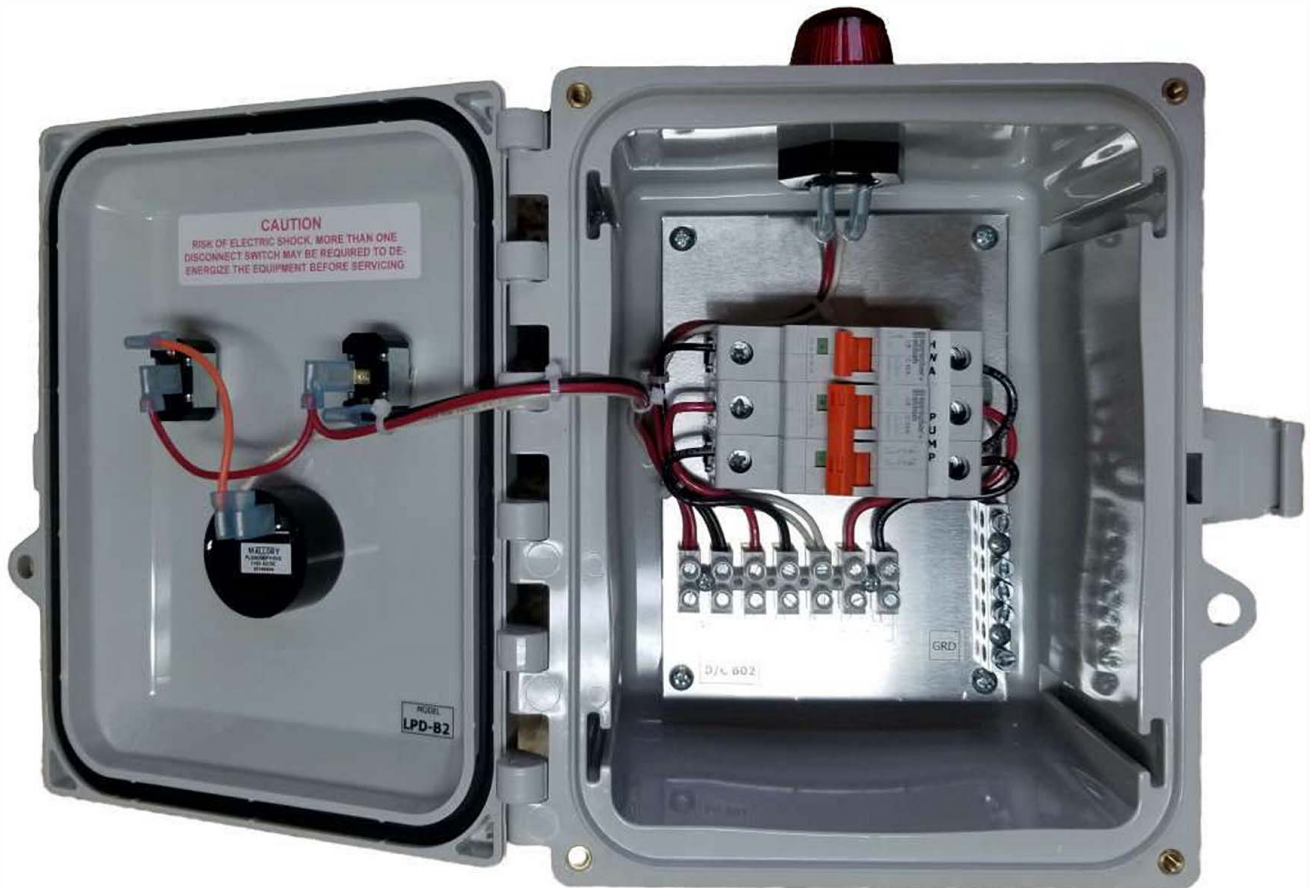
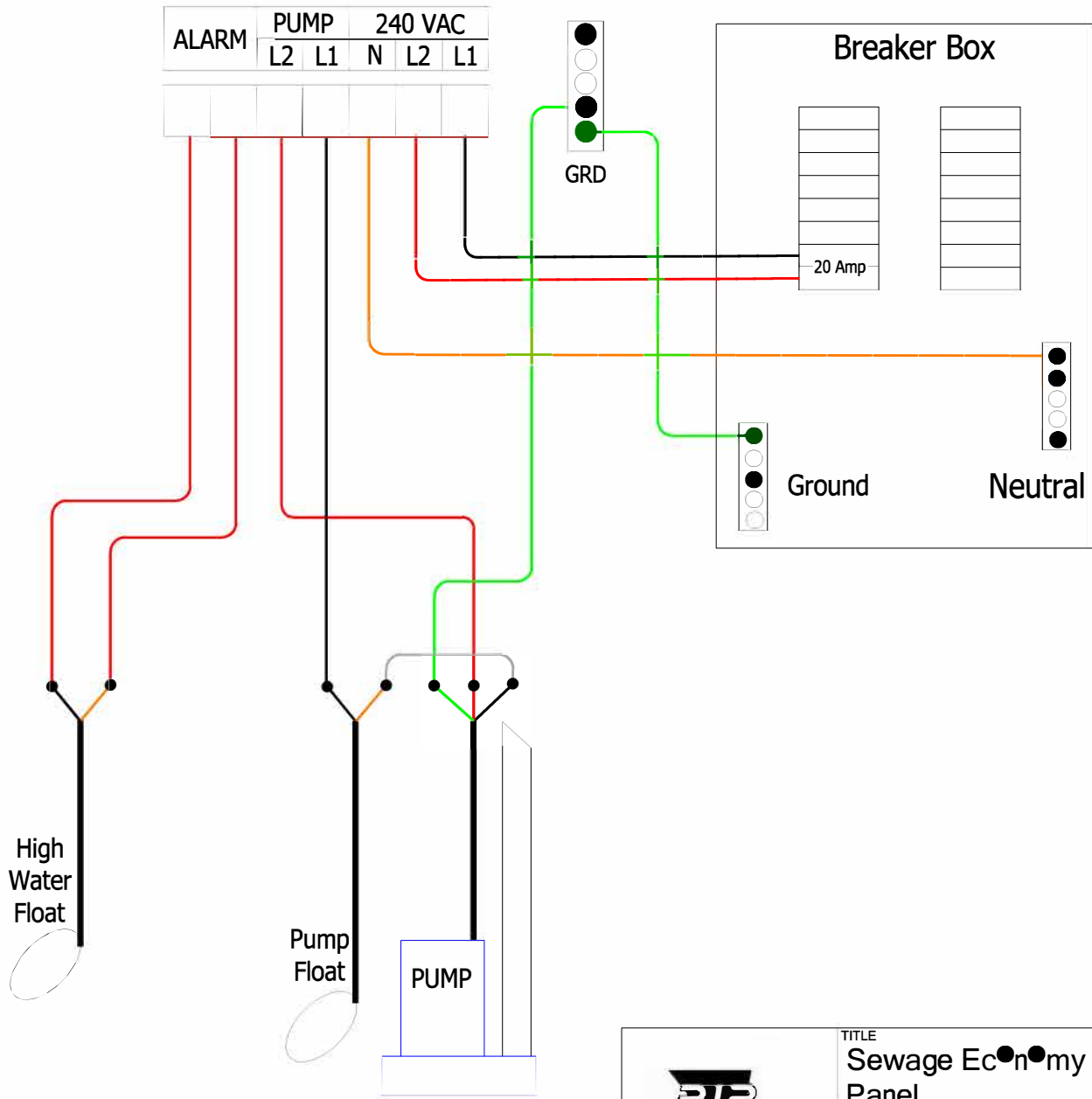





Sewage Economy Simplex Control Panel 220V



- Lift Station control for 240 VAC 2 HP or less pump.
- Pump operation will be on demand.
- High water alarm will use a N/O float.
- Alarm Test and Silence switch in the door.
- Enclosure H x W x D = 8 x 6 x 4"



	TITLE			
	Sewage Economy Simplex Control Panel			
	SIZE	CAGE CODE	DWG NO	REV
B		22-011619RW	0	
SCALE	SHEET		1 of 1	