

MEDO LA80 PUMP UNIT

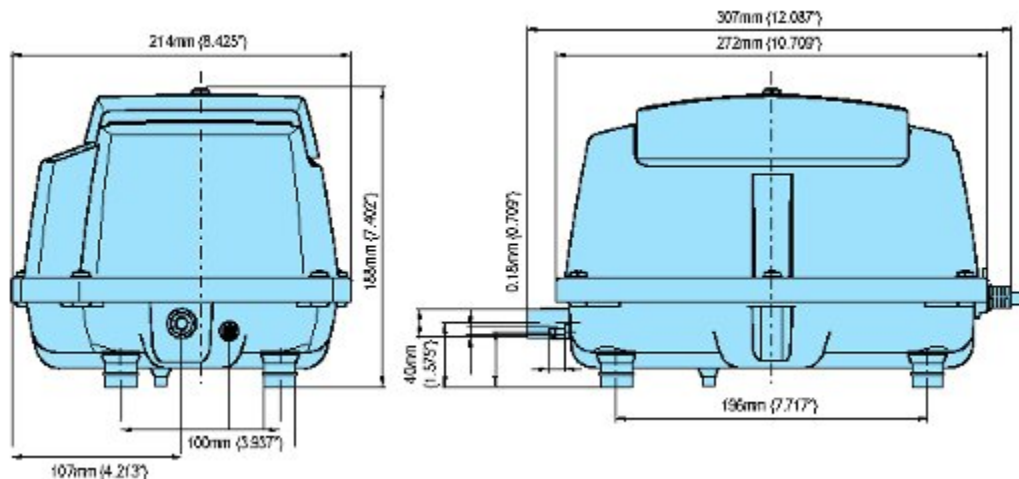
Product Features:

- Highly reliable, unique, die cast piston Construction
- UL-approved for outdoor use
- Integrated grounded line cord
- Service life expectancy of 6 years with Proper installation and periodic maintenance



Max Flow (lpm)	80
Max Cont. Operating Max Pressure (PSI)	2.84
Power Consumption (watts)	86
Noise Level (dBa @ 1m.)	45
Weight (lb)	11.7

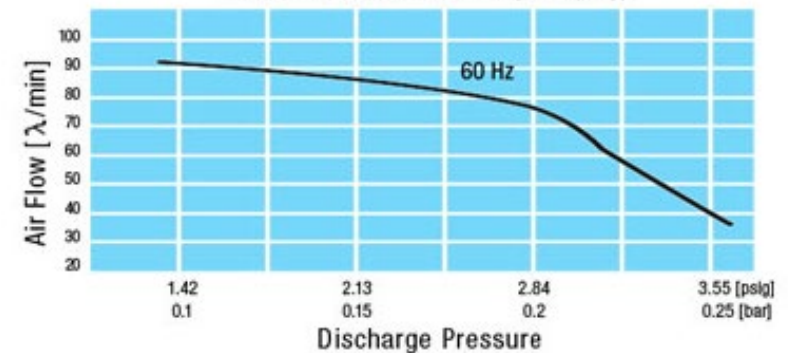
DIMENSIONS



PERFORMANCE CURVES

AIR FLOW CHARACTERISTICS

Rated Pressure : 0.15 bar (2.13 psig)



SPECIFICATIONS FOR MEDO LA80

- 2.83 cfm (cubic feet per minute) Maximum Air Flow (@ 0 PSI)
- 80 LPM (Liters Per Minute) @ 2.61 PSI
- 5.05 PSI Maximum Continuous Operating Pressure
- 120 VAC, 60 Hz, 5.3A, 86 Watts
- 45 dBA Measured @ 1 Meter
- Dimensions: 12" L X 7.5" W X 8.4" H
- Condition: NEW
- Includes Rubber 90 with Hose Clamps
- Includes 1/8" Alarm Connection Fitting

