

HP-100LL UNIT

Product Details:

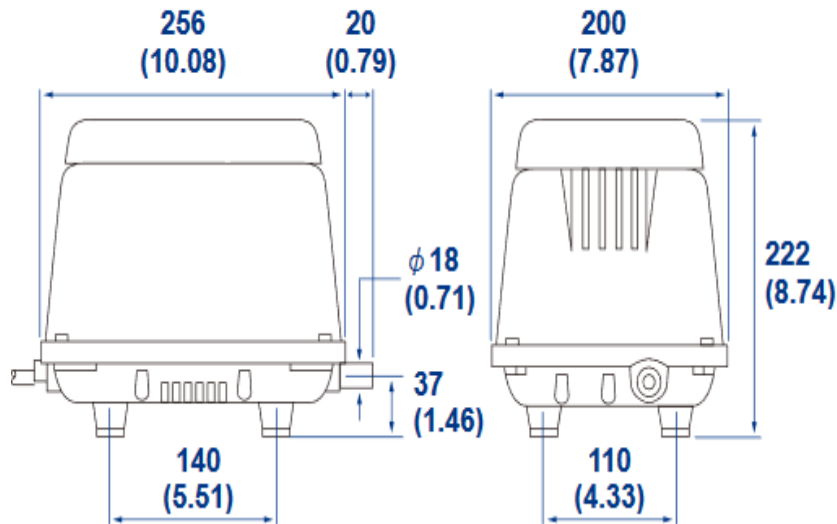
- Available with low-pressure alarms for 120 VAC applications
- Standard UL approved 120 VAC models and 230 VAC CE compliant models available
- Pumps equipped with thermal overload protection
- Includes pressure tap location for external Alarm sensor



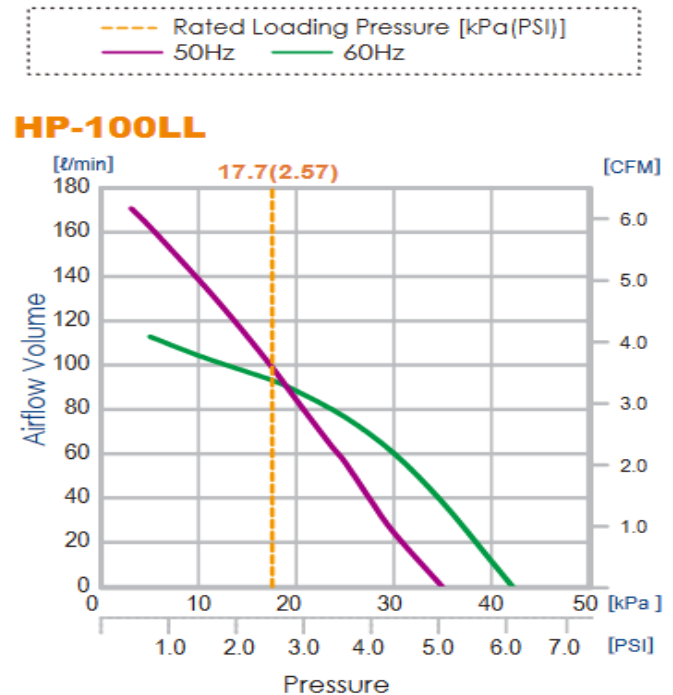
Max Flow (lpm)	100
Max Cont. Operating Max Pressure (PSI)	2.6
Power Consumption (watts)	75
Noise Level (dBa @ 1m.)	42
Weight (lb)	19.8

DIMENSIONS

[Unit: mm(inch)]



PERFORMANCE CURVES



SPECIFICATIONS FOR HIBLOW HP-100LL UNIT

- 4.5 cfm (cubic feet per minute) Maximum Air Flow (@ 0 PSI)
- 100 LPM (Liters Per Minute) @ 2.13 PSI
- 4.3 PSI Maximum Continuous Operating Pressure
- 120 VAC, 60 Hz, 1.0A, 75 Watts
- 42 dBA Measured @ 1 Meter
- Dimensions: 10.1" L x 7.9" H x 8.8" H
- Condition: NEW
- Includes Rubber 90 with Hose Clamps
- Includes 1/8" Alarm Connection Fitting
- Fits some 500 GPD and 750 GPD Aerobic Treatment Systems (Sizing is Determined by Brand of Aerobic System)

