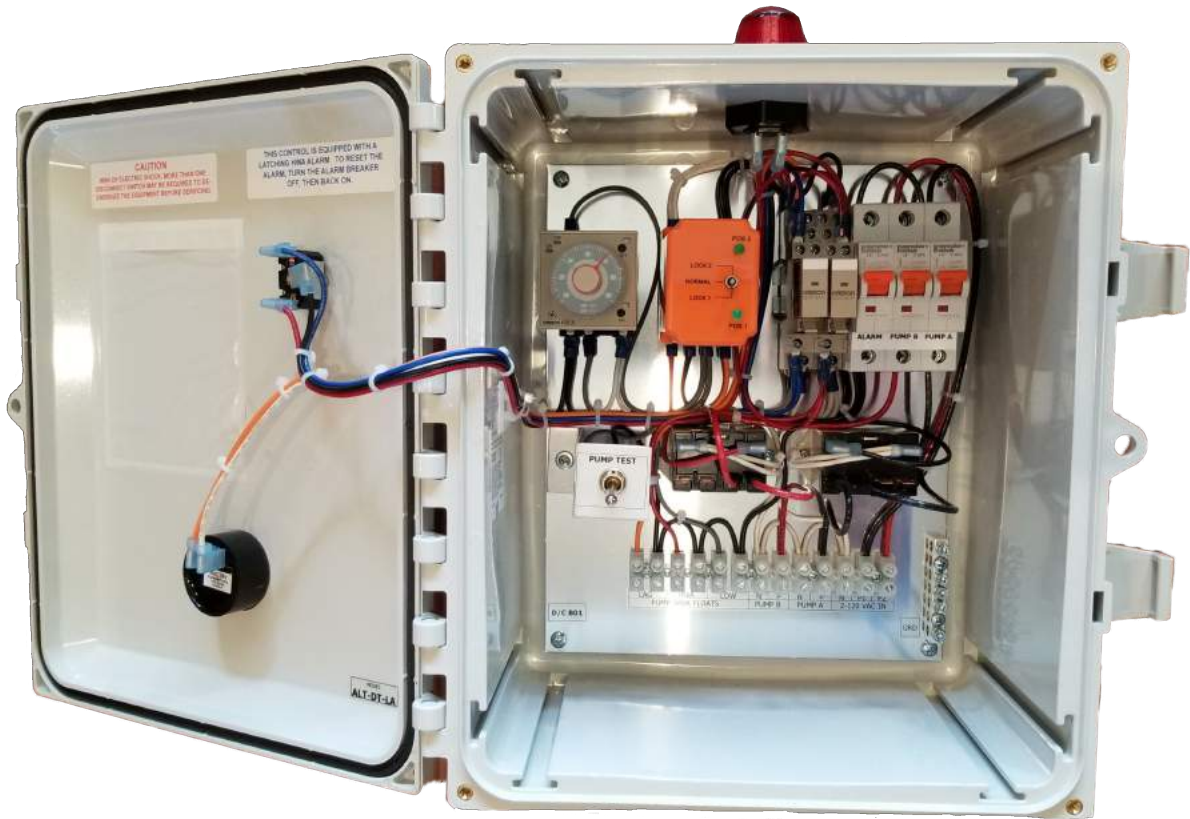
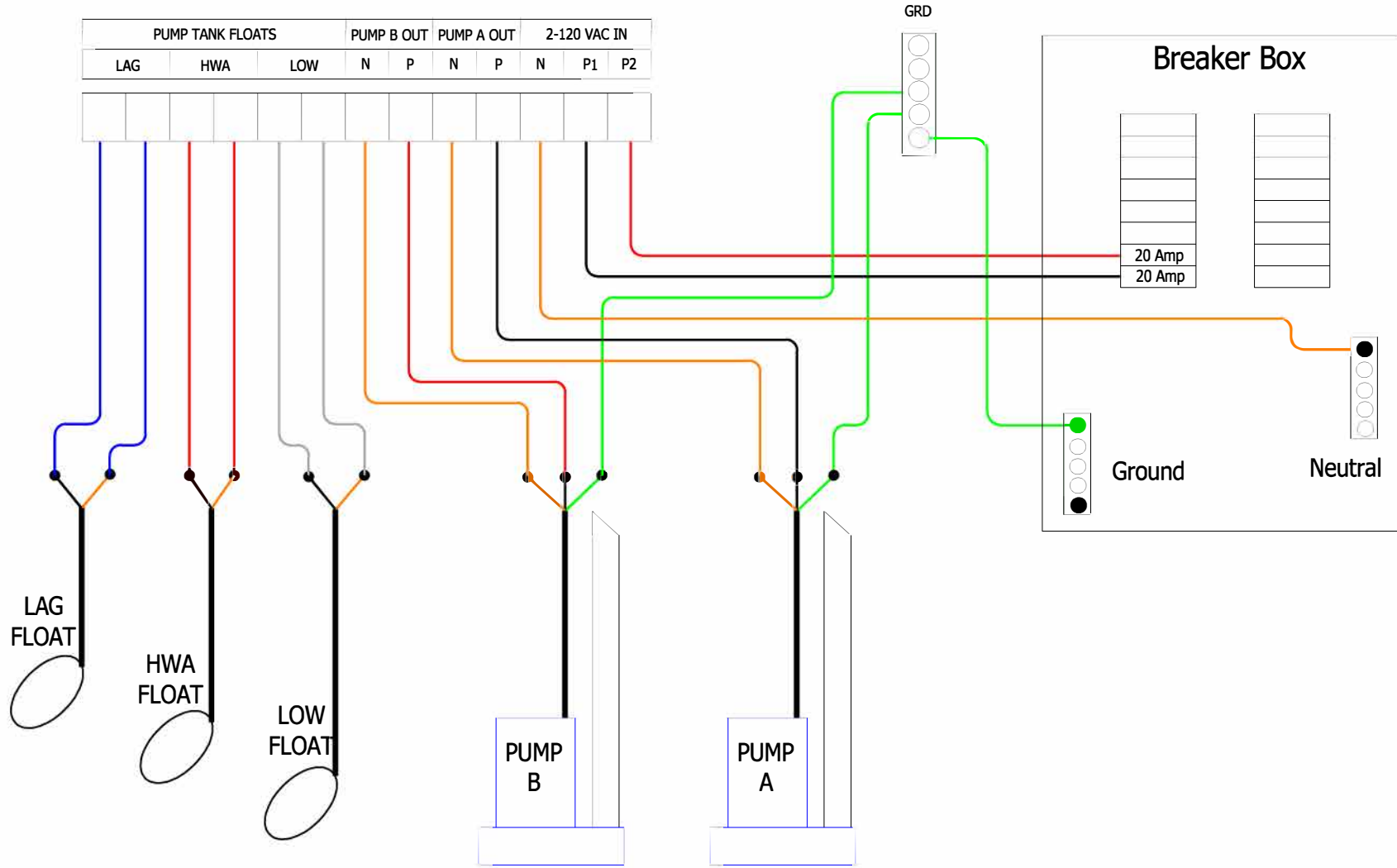





Sewage Duplex Dosing Timer Control Panel 120V



- Duplex control for 120 VAC pumps ½ HP or less.
- Pump operation will use an Omron H3CR dosing timer..
- Cross wired alternating relay with load lock switch for alternating pumps.
- Pump Test switch inside the enclosure.
- High water alarm will use a N/O float and has locking on feature.
- Alarm Test and Silence switch in the door.
- Enclosure H x W x D = 12 x 10 x 6"



	TITLE			
	Sewage Duplex Dosing Timer Control Panel 120V Field Wiring			
	SIZE	CAGE CODE	DWG NO	REV
	B		011619RW	0
SCALE	SHEET		1 of 1	