

# FujiMAC 40r2

## Product Details:

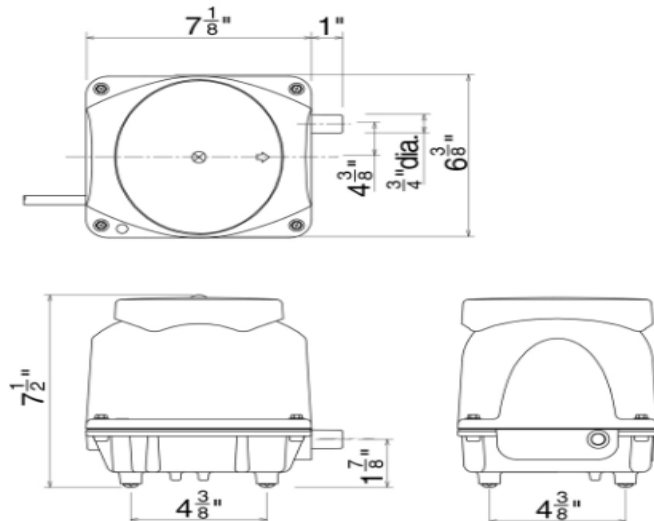
- Linear Diaphragm air pump
- Quiet Operation
- Oil free operation
- Thermal over load protection
- Easy maintenance



Rated Voltage	120	Volts
Power supply Frequency	60	Hz
Power Consumption	30	W
Suggested Pressure Range	1.3 - 2	PSI
Normal Pressure	1.75	PSI
Airflow at Rated Pressure	40	L / min
	1.4	cfm
Sound level	37	dB
Weight	11	lbs.
Length	8 1/8	In
Width	6 3/8	In
Height (without filter)	7 1/2	In
Outlet Outer Diameter	3/4	In
Outlet Inner Diameter	1/2	In



## DIMENSIONS



## PERFORMANCE CURVE

