

# FujiMAC 150R2

## Product Details:

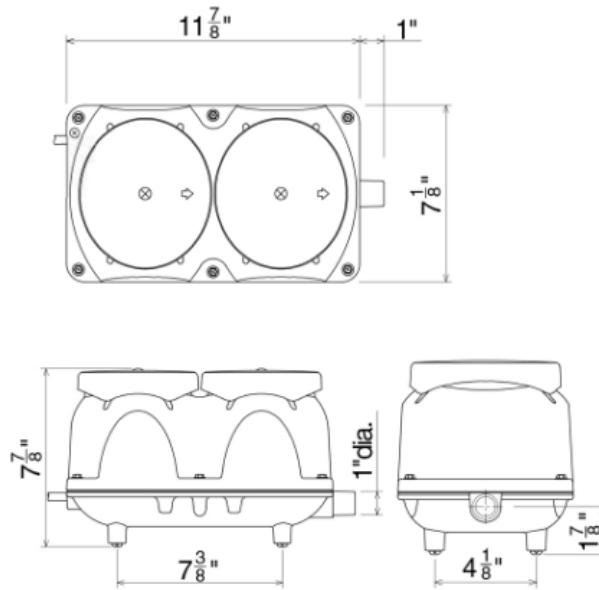
- Linear Diaphragm air pump
- Quiet Operation
- Oil free operation
- Thermal over load protection
- Easy Maintenance



Rated Voltage	120	Volts
Power supply Frequency	60	Hz
Power Consumption	115	W
Suggested Pressure Range	2.2-3.4	PSI
Normal Pressure	2.9	PSI
Airflow at Rated Pressure	150	L / min
	5.3	cfm
Sound level	41	dB
Weight	20	lbs.
Length	12 7/8	In
Width	7 1/8	In
Height	7 7/8	In
Outlet Outer Diameter	1	In
Outlet Inner Diameter	3/4	In



## DIMENSIONS



## PERFORMANCE CURVE

