

# FujiMAC 120R2

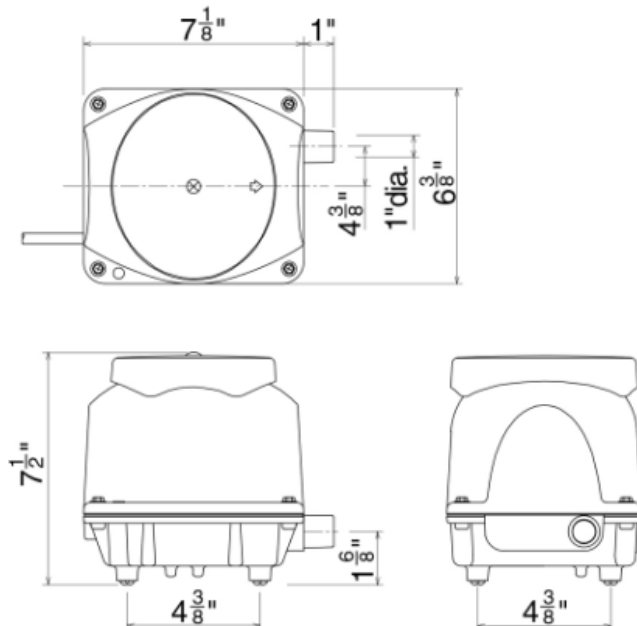
## Product Details:

- Linear Diaphragm air pump
- Quiet Operation
- Oil free operation
- Thermal over load protection
- Easy maintenance



Rated Voltage	120	Volts
Power supply Frequency	60	Hz
Power Consumption	93	W
Suggested Pressure Range	2-3.1	PSI
Normal Pressure	2.6	PSI
Airflow at Rated Pressure	120	L / min
	4.2	cfm
Sound level	41	dB
Weight	11	lbs.
Length	8 1/8	In
Width	6 3/8	In
Height	7 1/2	In
Outlet Outer Diameter	1	In
Outlet Inner Diameter	3/4	In

## DIMENSIONS



## PERFORMANCE CURVE

