

FujiMAC 100r2

Product Details:

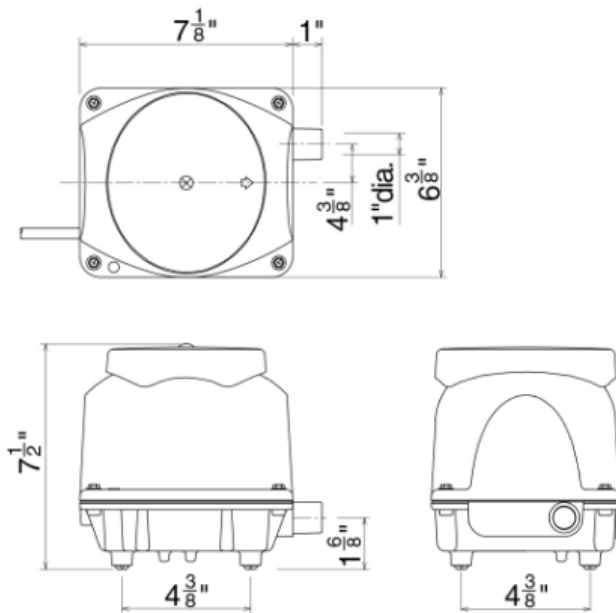
- Linear Diaphragm air pump
- Quiet Operation
- Oil free operation
- Thermal over load protection
- Easy maintenance



Rated Voltage	120	Volts
Power supply Frequency	60	Hz
Power Consumption	74	W
Suggested Pressure Range	2-3.1	PSI
Rated Pressure	2.6	PSI
Airflow at Rated Pressure	100	L / min
	3.5	cfm
Sound level	40	dB
Weight	11	lbs.
Length	8 1/8	In
Width	6 3/8	In
Height	7 1/2	In
Outlet Outer Diameter	3/4	In
Outlet Inner Diameter	1/2	In



DIMENSIONS



PERFORMANCE CURVE

