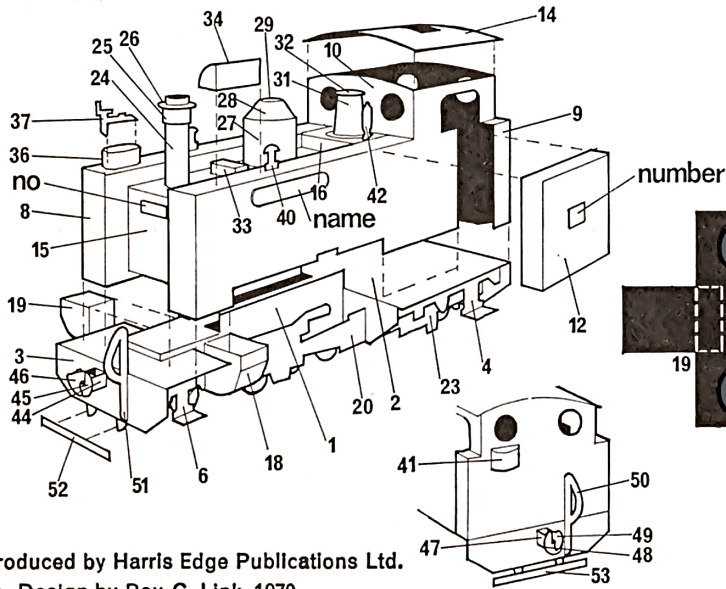
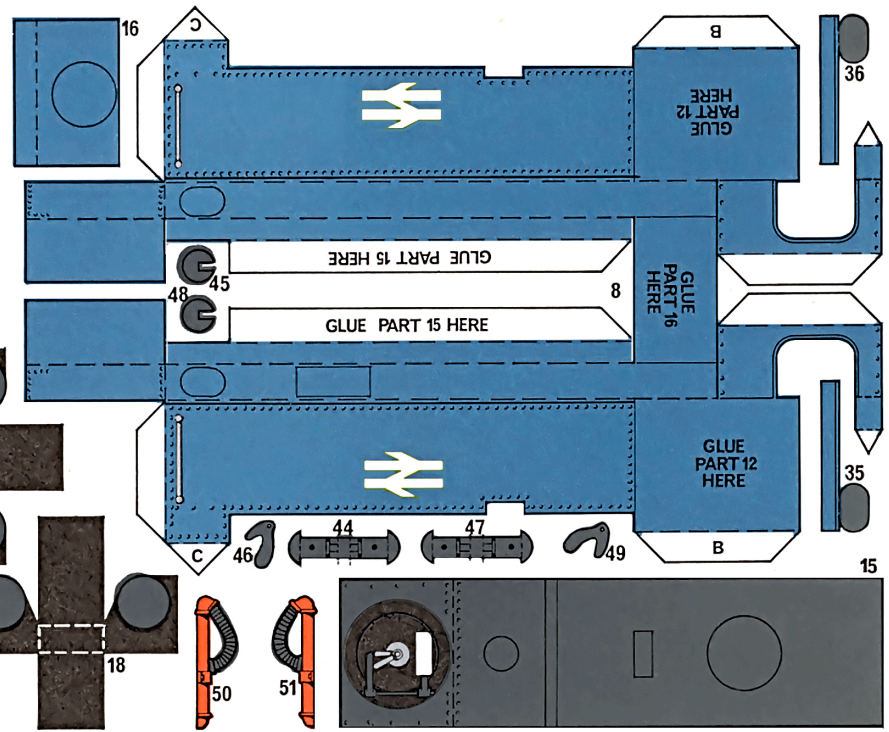


**INSTRUCTIONS:** Cut out and assemble parts in number order. Paint back and edges of parts black to achieve a superb model. Glue parts with a clear impact adhesive.



Produced by Harris Edge Publications Ltd.  
© Design by Roy C. Link, 1970



Glue chosen name & number where shown.

