

More Than A Retrofit-Spool It's A Solution!

The fast, versatile approach for efficiently replacing a backflow preventer

Working with Ames

Configure a backflow preventer replacement tailored specifically to your job requirements.

- Unique outside-the-shutoff valve design offers a wide choice of configuration options
- Configuration not limited by inside-the-shutoff valve and approvals
- Order only what you need – Backflow Preventer + Your choice: ACV + Strainer + Spool + Custom Fitting
- Custom spool produced with optional connections, flush ports, branches, or tees
- Order easily – configure a backflow retrofit solution in a few simple steps
- Built to order – ships fully assembled or as parts
- Most orders ship within 48 hours

Easily Configure Your Backflow Retrofit

OPTIONS



Spool



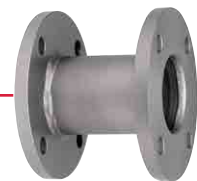
SS Strainer



ACV



OPTIONS



Spool



Custom Fitting



ACV

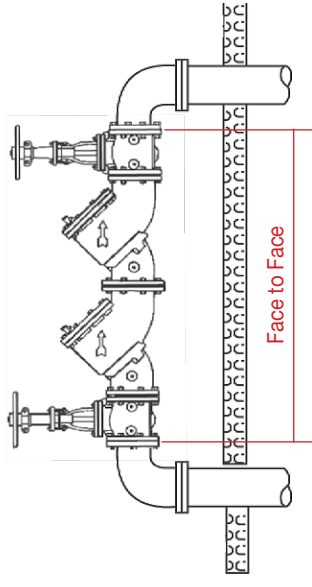
Job Name: _____
 Customer: _____
 Contact: _____
 Phone: _____
 Fax: _____

> CONFIGURATOR <

Required - Provide Field Measurement: Face to Face

Measurement= _____

Manufacturer/model being replaced= _____



1

Flow direction ----->

Required	Optional	Optional	Required	Required	Required	Optional	
Size <input type="checkbox"/> 2-1/2" <input type="checkbox"/> 3" <input type="checkbox"/> 4" <input type="checkbox"/> 6" <input type="checkbox"/> 8" <input type="checkbox"/> 10"	Inlet Spool <input type="checkbox"/> Yes <input type="checkbox"/> No	Other <input type="checkbox"/> ACV** <input type="checkbox"/> Strainer*** <input type="checkbox"/> 113 RFP Flood Protection	#1 Shut Off <input type="checkbox"/> NRS <input type="checkbox"/> OSY <input type="checkbox"/> Butterfly <input type="checkbox"/> PIV <input type="checkbox"/> NRS (domestic) <input type="checkbox"/> Ball Valve	Backflow Preventer <input type="checkbox"/> C200 (Lead Free Standard) <input type="checkbox"/> M200 (Lead Free Standard) <input type="checkbox"/> LFC300 (LF=Lead Free) <input type="checkbox"/> LFM300 (LF=Lead Free) <input type="checkbox"/> C400 (Lead Free Standard) <input type="checkbox"/> M400 (Lead Free Standard) <input type="checkbox"/> LFC400 (LF=Lead Free) <input type="checkbox"/> LFM500 (LF=Lead Free)	#2 Shut Off <input type="checkbox"/> NRS <input type="checkbox"/> OSY <input type="checkbox"/> Butterfly <input type="checkbox"/> PIV <input type="checkbox"/> NRS (domestic) <input type="checkbox"/> Ball Valve	Outlet Spool* <input type="checkbox"/> Yes <input type="checkbox"/> No	Other <input type="checkbox"/> ACV** <input type="checkbox"/> Strainer*** <input type="checkbox"/> 113 RFP Flood Protection

Any combination of the above options can be selected

Options only section

***Specify ACV:

ACV Part number or contact representative or customer service

***Strainer Part #:

DCDA Meter Option

GPM
 CFM
 Less Meter

2 Assembly End Connections To System Piping:

Inlet	Outlet
<input type="checkbox"/> Grooved <input type="checkbox"/> Flanged	<input type="checkbox"/> Grooved <input type="checkbox"/> Flanged
<input type="checkbox"/> Both Spools Same Length	

If inlet and outlet spool is requested pick:

Inlet Spool Length

Outlet Spool Length

3 Assembly Instructions:

Pick all that apply

- Ship Spool Separate (strapped to pallet)
- Ship Spool Attached to Assembly
- Ship Strainer Separate (strapped to pallet)
- Ship Strainer Attached to Assembly
- Ship ACV Separate (strapped to pallet)
- Ship ACV Attached to Assembly

Need By Date:

Ships in 5-7 days, or 24-48 hours if needed

All assemblies are built to customer specifications and are considered custom valve assemblies. Orders once submitted will be considered non-cancellable and non-returnable. Below signature verifies field dimensions and all other options specified in this document. If you have any questions prior to order placement please do not hesitate to contact your local representative or customer service department.

Signature Verifying Field Measurement:

Date:

S-A-RetroFit 1647

MF10487



USA: Backflow Tel: (978) 689-6066 • Fax: (978) 975-8350 • AmesFireWater.com
USA: Control Valves Tel: (713) 943-0688 • Fax: (713) 944-9445 • AmesFireWater.com
Canada: Tel: (905) 332-4090 • Fax: (905) 332-7068 • AmesFireWater.ca
Latin America: Tel: (52) 81-1001-8600 • Fax: (52) 81-8000-7091 • AmesFireWater.com
 © 2016 Ames Fire & Waterworks