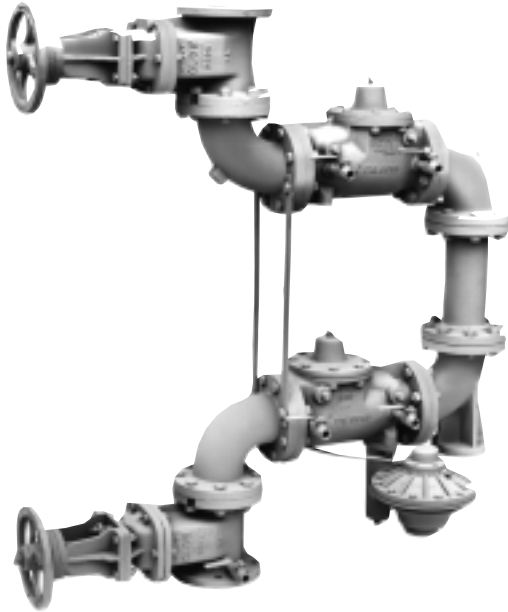




— MODEL — **RP-4V**

# Reduced Pressure Principle Vertical Backflow Preventer



- **Low Head Loss**
- **No Internal or External Weights**
- **Durable Heavy Duty Construction**
- **Positive Automatic Operation**

The Cla-Val Model RP-4V Backflow Preventer protects potable water lines against contamination. This assembly combines protection against backflow with exceptionally low head loss characteristics. It operates on the reduced pressure principle, which is an accepted method of safeguarding potable water supplies against the hazards of cross-connections. The 4" Size Model RP-4V is approved by the Foundation for Cross Connection Control and Hydraulic Research at the University of Southern California. All sizes comply with the AWWA Standard C511-89.

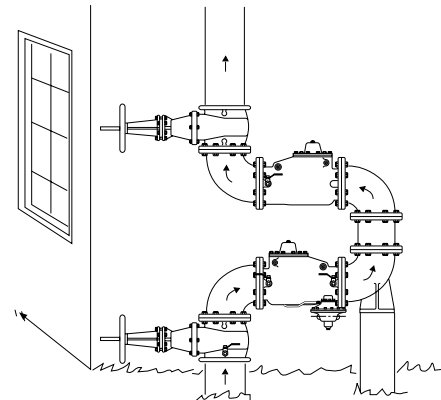
The Model RP-4V is carefully constructed of corrosion resisting materials. It consists of two independently acting toggle lever check valves, an automatic pressure differential relief valve located between the two check valves, two shutoff valves and four test cocks. The levers, links and pins are rugged, simple and direct with ample clearances to insure long, trouble free operation, even in very hard water and over prolonged periods of time. All internal parts are readily accessible without removing the device from the line. Field testing is easily performed by means of the test cocks.

## Typical Applications

The unique RP-4V is installed in vertically oriented piping systems to protect potable water against backflow contamination

## Installation

It is recommended that this unit be installed with check valves in a horizontal position and that provisions for adequate drainage be made. Right hand mount of relief valve is standard. Left hand mount is optional. Standard Shut-off Valves are a resilient seat non-rising stem design. When used in fire service, OS&Y Shut-off Valves are required.



## Specifications

### Sizes:

4", 6", 8"

### End Detail:

125 ANSI B16.1

### Maximum Working Pressure:

175 psi

### Hydrostatic Test Pressure:

350 psi

\*Exterior may be epoxy coated at extra cost

### Max. Temperature:

to 110° F

### Fluid:

Water

### Material:

Main Valve Body and Cover:  
Cast Iron ASTM A-126 interior  
epoxy coated\*

### Main Valve Trim:

Bronze ASTM B-61

### Differential Relief Valve:

Bronze ASTM B-61 with Stainless  
Steel 316 Trim

### Shut-off Valves:

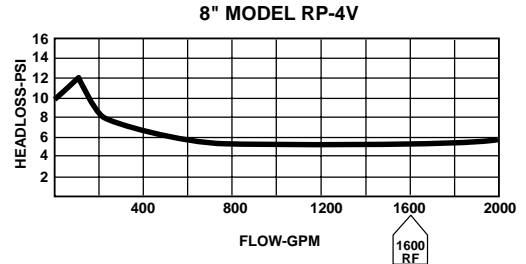
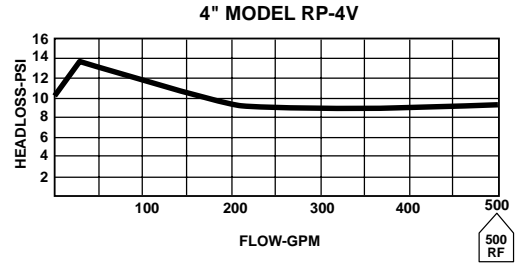
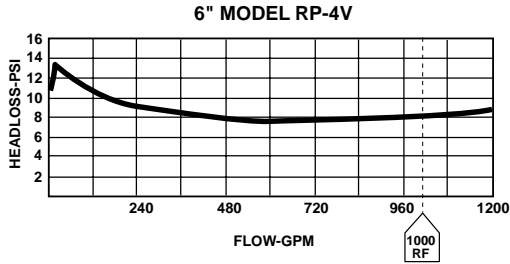
Resilient Seat Outside Stem and Yoke  
Type, Epoxy Coated Interior and Exterior  
AWWA C550

4" size is approved by the Foundation for Cross-Connection Control and Hydraulic Research at the University of California.



# RP-4V

## Reduced Pressure Principle Backflow Preventer Flow Curves

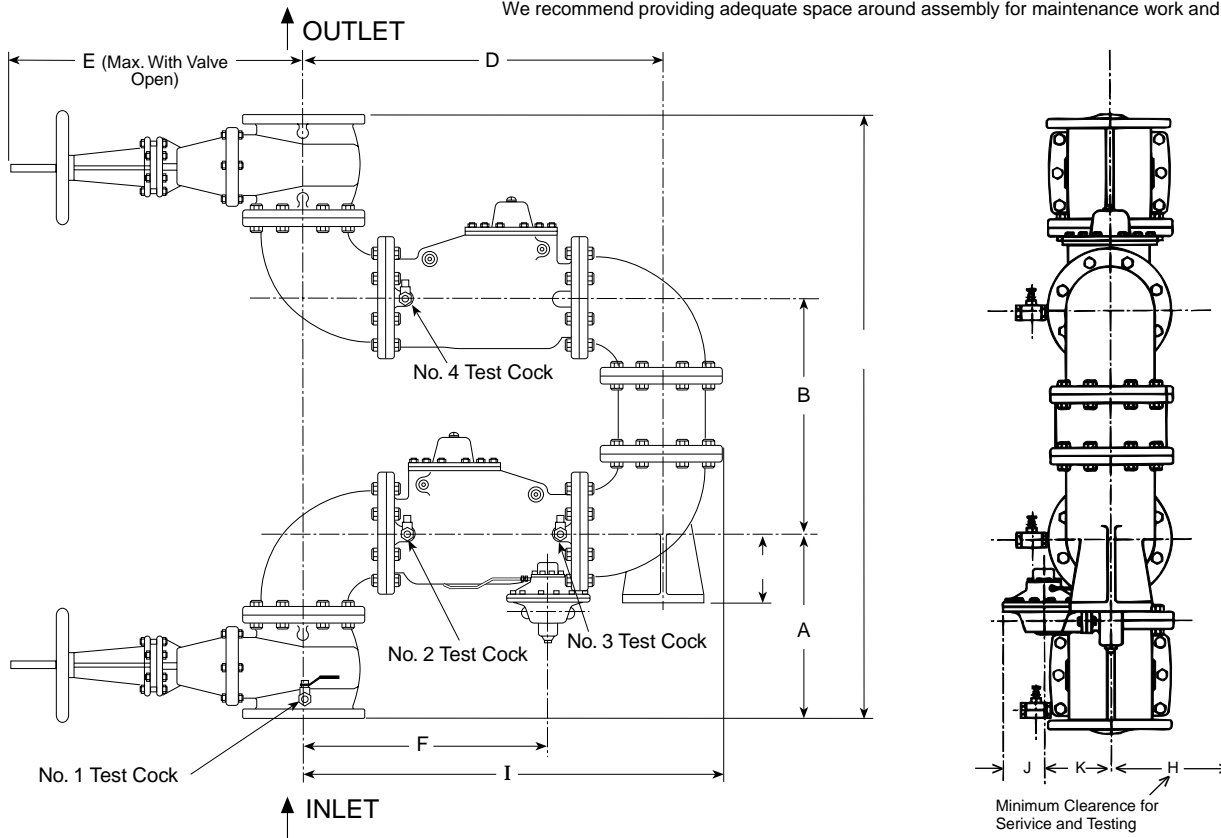


\*Rated Flow\* Values adopted by the American Water Works Association and the New England Water Works Association.  
 4" Model RP-4V Flow curve generated by the Foundation for Cross-Connection Control and Hydraulic Research at the University of California.

### Dimensions (In Inches)

Valve Size	A	B	C	D	E	F	G	H	I	J	K
4"	15.56	23.13	54.25	28.13	22.75	18.16	5.50	16.50	32.63	5.25	9.13
6"	18.56	26.13	63.25	36.13	30.13	23.63	7.00	17.50	41.63	5.25	9.13
8"	20.56	28.13	69.25	43.50	37.75	28.69	8.75	18.75	50.25	5.25	9.13

We recommend providing adequate space around assembly for maintenance work and testing.



E-RP-4V (R-11/01)

## CLA-VAL

PO Box 1325 Newport Beach CA 92659-0325  
 Phone: 949-722-4800 • Fax: 949-548-5441

### CLA-VAL CANADA, LTD.

4687 Christie Drive  
 Beamsville, Ontario  
 Canada LOR 1B4  
 Phone: 905-563-4963  
 Fax: 905-563-4040

### CLA-VAL SA

Chemin des Mesanges 1  
 CH-1032 Romanel/  
 Lausanne, Switzerland  
 Phone: 41-21-643-15-55  
 Fax: 41-21-643-15-50

© COPYRIGHT CLA-VAL 2001 Printed in USA  
 Specifications subject to change without notice.

[www.cla-val.com](http://www.cla-val.com)

Represented By: