

# MODEL 550

Double Check

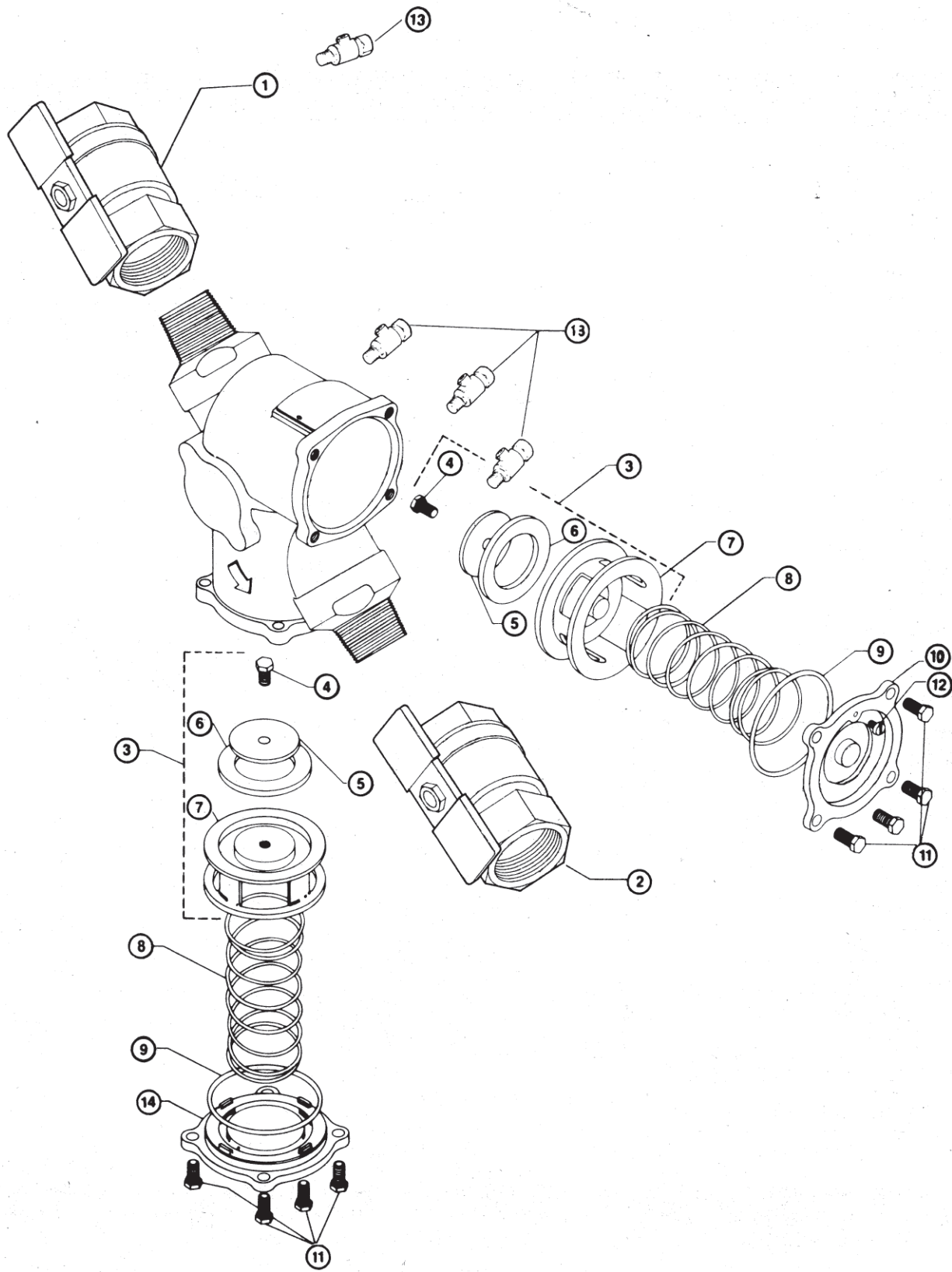
Backflow Preventers 3/4" to 2"

# WILKINS

ITEM NO.	DESCRIPTION	3/4"	1"	1 1/4"	1 1/2"	2"
1	BALL VALVE, TAPPED	34-850T	1-850T	114-850T	112-850T	2-850T
2	BALL VALVE	34-850	1-850	114-850	112-850	2-850
3	POPPET ASSEMBLY	552-300	552-300	554-300	554-300	554-300
4	POPPET SCREW	552-11B	552-11B	554-11	554-11	554-11
5	WASHER	552-14	552-14	554-14	554-14	554-14
6	SEAL RING	552-12	552-12	554-12	554-12	554-12
7	POPPET	552-30	552-30	554-30	554-30	554-30
8	POPPET SPRING	552-33	552-33	554-33	554-33	554-33
9	O RING, COVER (BOLT ON)	037N	037N	152N	152N	152N
	O RING, COVER (SCREW ON)	146N	146N	N/A	N/A	N/A
10	NO. 1 CHECK COVER (BOLT ON)	5752-3	5752-3	5754-3	5754-3	5754-3
	NO. 1 CHECK COVER (SCREW ON)	5752-3B	5752-3B	N/A	N/A	N/A
11	COVER SCREW	5752-11	5752-11	554-11A	554-11A	554-11A
12	BLEED SCREW	552-11A	552-11A	552-11A	552-11A	552-11A
13	TEST COCK	18-860	18-860	14-860	14-860	14-860
14	NO. 2 CHECK COVER (BOLT ON)	552-3	552-3	554-3	554-3	554-3
	NO. 2 CHECK COVER (SCREW ON)	552-3B	552-3B	N/A	N/A	N/A

## REPAIR KITS

NO. RK-001 REPAIR KIT COMPLETE <i>No longer Available</i> Model 550 3/4" & 1" Only			NO. RK-002 REPAIR KIT COMPLETE <i>No longer Available</i> Model 550 1 1/4", 1 1/2", 2" Only		
PART NO.	QTY.	DESCRIPTION	PART NO.	QTY.	DESCRIPTION
552-12	2	SEAL RING, POPPET	554-12	2	SEAL RING, POPPET
037N	2	O-RING, COVER (BOLT ON)	152N	2	O-RING, COVER
552-33	2	SPRINGS	554-33	2	SPRINGS
146N	2	O-RING, COVER (SCREW ON)			
NO. RK-007 RUBBER REPAIR KIT <i>RK3A-550R</i> Model 550 & 575 3/4" & 1" Only			NO. RK-008 RUBBER REPAIR KIT <i>RK1A-550R</i> Model 550 & 575 1 1/4", 1 1/2", 2" Only		
PART NO.	QTY.	DESCRIPTION	PART NO.	QTY.	DESCRIPTION
552-12	2	SEAL RING, POPPET	554-12	2	SEAL RING, POPPET
037N	2	O-RING, COVER (BOLT ON)	152N	2	O-RING, COVER
146N	2	O-RING, COVER (SCREW ON)			



# MODEL 550

Double Check

Backflow Preventers 2 1/2" to 6"

# WILKINS

ITEM NO.	DESCRIPTION	QTY.	2 1/2"	QTY.	3"	QTY.	4"	QTY.	6"
1	GATE VALVE, TAPPED RESILIENT SEAT	1	212-48	1	3-48	1	4-48	1	6-48
	GATE VALVE OS&Y, TAPPED RESILIENT SEAT	1	212-48OSY	1	3-48OSY	1	4-48OSY	1	6-48OSY
2	GATE VALVE RESILIENT SEAT	1	212-48	1	3-48	1	4-48	1	6-48
	GATE VALVE, OS&Y RESILIENT SEAT	1	212-48OSY	1	3-48OSY	1	4-48OSY	1	6-48OSY
3	BOLT	8	558-11D	8	558-11D	16	559-11	16	5510-11
4	NUT	8	558-9	8	558-9	16	558-9	16	5510-9
5	GASKET	2	557-13	2	558-13	2	559-13	2	5510-13
6	COVER PLATE	1	558-3A	1	558-3A	1	558-3A	1	558-3A
7	O-RING	1	031N	1	031N	1	031N	1	031N
8	STUD	2	558-11B	2	558-11B	2	558-11B	2	558-11B
9	NUT	2	5758-9	2	5758-9	2	5758-9	2	5758-9
10	O-RING (SMALL)	2	341N	2	341N	2	426N	2	439N
11	O-RING (LARGE)	4	353N	4	353N	4	439N	4	448N
12	SCREW	2	558-11A	2	558-11A	2	558-11A	2	724-11A
13	SLEEVE	2	558-2	2	558-2	2	559-2	2	5510-2
14	SCREW (POPPET)	2	558-11	2	558-11	6	559-11B	6	552-11B
15	RETAINING PLATE	2	558-14	2	558-14	2	559-14	2	5510-14
16	SEAL RING	2	558-12	2	558-12	2	559-12	2	5510-12
17	POPPET ASSY.	1	Note	1	Note	2	559-300	2	5510-300
18	COVER	2	558-3	2	558-3	2	559-3	2	5510-3A
19	BOLT	8	558-11E	8	558-11E	12	559-11A	12	5510-11A
20	PIPE PLUG	3	558-7	3	558-7	3	558-7	3	5510-7
21	TEST COCK	4	12-850	4	12-850	4	12-850	4	34-850
22	NIPPLE, SHORT	2	101-21B	2	101-21B	2	101-21B	2	102-21B
23	NIPPLE, LONG	2	558-21B	2	558-21B	2	558-21B	2	5510-21B
24	WASHER	2	604C-12	2	604C-12	6	72C-12	6	604C-12

Note: SPRING #558-33, POPPET #558-300

## REPAIR KITS

NO. RK-011 RK212-550R REPAIR KIT Model 550 & 575 2 1/2" & 3"			NO. RK-012 RKA-550R REPAIR KIT Model 550 & 575 4"			NO. RK-013 RKB-550R REPAIR KIT Model 550 & 575 6"		
PART NO.	QTY.	DESCRIPTION	PART NO.	QTY.	DESCRIPTION	PART NO.	QTY.	DESCRIPTION
558-12	2	SEAL RING	559-12	2	SEAL RING	5510-12	2	SEAL RING
341N	2	O-RING, SMALL	426N	2	O-RING, SMALL	439N	2	O-RING, SMALL
353N	4	O-RING, LARGE	439N	4	O-RING, LARGE	448N	4	O-RING, LARGE
604C-12	2	WASHER	72C-12	6	WASHER	604C-12	6	WASHER

