

Product description:

1. Pad rest with 6mm pad (complete)
2. Shoulder rest arm
3. Shoulder rest base
4. Cross-tip screwdriver for mounting the base onto the instrument (only type 280, 281)
5. Hex wrench to adjust the ball joints at the rest's arm
6. 2 tenterhooks with cross-head screw (only type 280, 281)
7. 2 clasps (only type 282)
8. Cloth bag

Adjustment template – part of the packaging insert

Accessories / replacements:

Pad 4mm Art.Nr.: 280P-4, pad 6mm Art.Nr.: 280P-6 and pad 8mm Art.Nr.: 280P-8 are available at your local dealer.

**Important safety advice:**

- **Please study the instruction manual carefully prior to assembly.**
- Do not use the shoulder rest any different than described in this manual.
- Please ensure the fit and the latching after each mounting on the instrument.
- To protect your instrument during each transport, please remove pad rest (1) and shoulder rest arm (2) and stow it together with the hex wrench (5) using the included cloth bag (8) inside the instrument case.
- To attach and adjust the shoulder rest, please only use components of the company Wittner or recommended and compatible parts, respectively!
- We recommend to have the mounting carried out by experienced luthiers.
- This shoulder rest is no toy!
- Please remove the shoulder rest from the instrument when cleaning it. Do not use any abrasive and chemically aggressive material.
- Do not use the shoulder rest if it is not working correctly, fell down, is damaged or broken. Let a specialist or luthier check and repair it.

Product description:

- Central mounting!
- No loss in sound since shoulder rest has no contact with back of instrument.
- Countless adjustment possibilities.
- The shoulder rest cannot slip and drop.
- Anti-allergic.
- Ultra-light.
- Very flexible adaption to shoulder.
- Can be disassembled into very small parts which enables easy transport in violin case.
- Memory function: after initial setting the shoulder rest will stay in same position after mounting.

Combination possibilities**Option A: 280... + 281...**

without chin rest or with chin rest of a different brand - mounted on the rib

**Option B: 280... + 281...**

with Wittner chin rest 253xxx, 254xxx, 256xxx or 257xxx - mounted centrally

**Option C: 280... + 281...**

with Wittner chin rest 250xxx or 251xxx - mounted on the rib

**Option D: 282...**

with chin rest of a different brand - mounted centrally


**Option E: 282...**

with chin rest of a different brand - mounted on the rib (depends on the size of your instrument)



Failure to comply with the manufacturer's instructions may lead to a disclaim of a probable repair under warranty. We assume no liability for damages on your instrument.

Mounting the Wittner shoulder rest to the instrument:

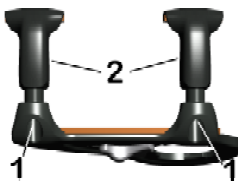
First, separate the base from the shoulder rest arm. To this end, unlatch the small lever (1-see pic. on the right) , turn the shoulder rest arm with pad (2) ca. 1/8 turns counterclockwise and lift the shoulder rest arm vertically to the base. If there already is a chin rest mounted onto the instrument, dismount it first. Please make sure that you do not damage the rib of the instrument with your tools.



Attention: If you mount chin rest and/or shoulder rest onto the instrument tighten the screws alternately by a few turns each to avoid putting a different amount of pressure onto the ribs. Since these are very thin improper fixing can cause damages on the ribs, bottom nut or lower block. When disassembling please also loosen the screws alternately by a few turns each only.

--- Never put the instrument onto the bridge. ----

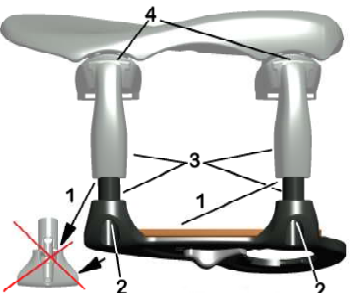
Option A: 280...+ 281... without chin rest



Mount the tenterhooks onto the base. Place a cross-head screw into the drilled hole (1), place a tenterhook (2) on the base and use the included cross-tip screwdriver to screw together the parts only to a point where the screw is seated ~ 3 turns into the tenterhook. Repeat the process with the second tenterhook. Please set both screws slightly higher than your instrument is.

Then place the base with the tenterhooks centrally on the instrument. Now you can tighten the cross-head screws.

Option B: 280...+ 281... with Wittner chin rest centred




Dismount both tenterhooks (1) from the fasteners of the chin rest by unscrewing the cross-head screws completely and separate both parts. Now mount the base to the chin rest. Place a cross-head screw into the drilled hole (2), then place a fastener onto the base (3) and use the included cross-tip screwdriver to screw together the parts only to a point where the screw is seated ~3 turns inside the fastener of the chin rest. Repeat the process with the second.

Then hook the chin rest shell to the fasteners (4). Please set both screws slightly higher than your instrument is.

Then place the base with chin rest centrally on the instrument. Now you can tighten the cross-head screws.

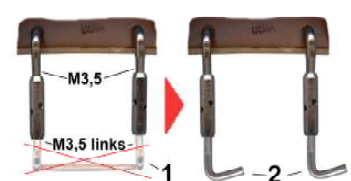
Option C: 280...+ 281... with Wittner chin rest on the side



Dismount both tenterhooks (1) from the fasteners of the chin rest by unscrewing the cross-head screws completely and separate both parts. Mount one of the included tenterhooks (3) onto the base. First place a cross-head screw into the drilled hole (2), place a tenterhook (3) on the base and use the included cross-tip screwdriver to screw together the parts only to a point where the screw is seated 3-5 turns inside the tenterhook. Then place the second cross-head screw into the remaining drilled hole on the base and screw the fastener onto the base (4) of the shoulder rest with ~3 turns. Then hook the chin rest shell to the fasteners (5) of the chin rest. Please set both screws slightly higher than your instrument is.

Then place the base with chin rest on the rib of the instrument. Now you can tighten the cross-head screws.

Option D and E: 282.. with chin rest of a different brand centred or on the side

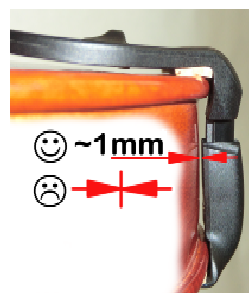


Unlatch the lever (1) that connects both barrels and replace it with the included clasps (2). Make sure that the clasps of the chin rest and the included clasps are screwed in equally deep by ~3 turns.

(There might be problems with the threads of your chin rest. For the installation you need barrels and clasps for chin rest with M3,5 thread – available at specialised dealers.)

Then hook the base plate of the shoulder rest into the free clasps. Please set both barrels slightly higher than your instrument is.

Afterwards, put the base together with the chin rest on the instrument. Now you can tighten the cross-head screws.



Please observe:

- Equal distance of the fasteners to the lower saddle.
- Distance of the fasteners to the rib ca. 1mm (see sketch on the left).
- Distance between chin rest and tailpiece min. 1mm.

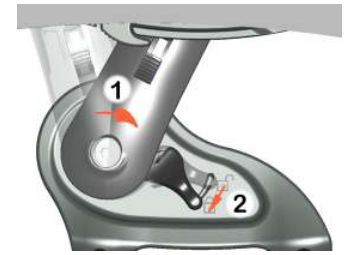
Important:

The base should have a distance of at least 1,5mm to the back of your instrument. If necessary you can use a slightly thicker cork and should that be insufficient then this shoulder rest is not apt for your instrument.

Adjusting and handling the Wittner shoulder rest:

When the base is mounted to your instrument you can reinsert the shoulder rest arm with pad. Put the part with the free end into the drilling of the base (1-see pic on the right) and turn the shoulder rest arm by ca. 1/8 turns clockwise. You should feel some resistance at the end of the turn. Then latch the shoulder rest arm with the lever (2-see pic on the right) by rotating the lever clockwise. When you hear a „click“ your shoulder rest is safely latched.

The shoulder rest is delivered in a basic setting that already fits most of its users. That is why please make sure if you need to adjust the position of the pad and/or its height above the instrument. The adjustment possibilities and handling are identical for all types of this shoulder rest.



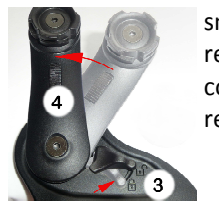
Handling:

Disassembly for transport:



First, remove the pad rest by turning the locking mechanism (1) clockwise and then the pad rest (2) by ca. 1/8 turns counterclockwise and lift.

Then remove the shoulder rest arm. To this end unlatch the



small lever (3) and turn the shoulder rest arm (4) ca. 1/8 turns counterclockwise and lift the shoulder rest arm perpendicular to the base.

Transport:

Stow pad rest, shoulder rest arm and hex wrench inside the cloth bag in your instrument case, preferably separately from your instrument.

Assembly after transport:

(In reverse order than disassembly.) Place the shoulder rest arm onto the base and turn it clockwise 1/8 turns. Then latch it with the lever. Next, put the the complete pad rest onto the shoulder rest arm, turn it by ca. 1/8 turns clockwise and latch it by the pushing the lever with your thumb counterclockwise. Please check both locking mechanisms.

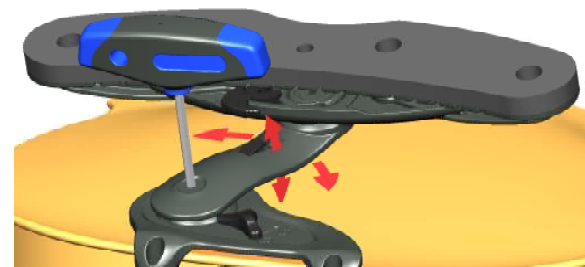
Adjustment:

Height and position of pad rest in relation to the instrument

With this slide you can limit or unblock the height adjustability. If you move the slide away from the pad (to the right in the picture) you can then position the shoulder rest arm higher but no longer lower. Move it in the direction of the pad and you will reach the maximum setting range.



So you can rotate the pad sideways and still maintain the pad height.

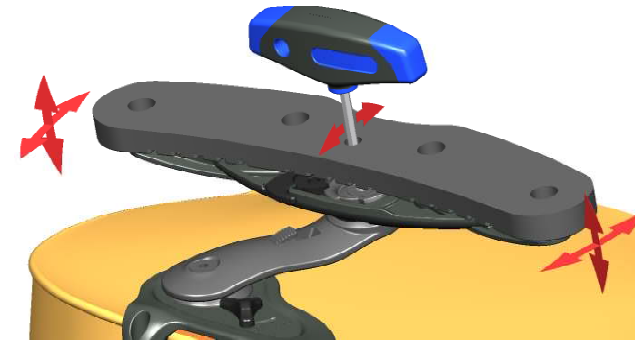


Open the screw with the hex wrench only that far so that you can pivot the shoulder rest arm and move it in the height. Now choose the new position of the pad and hold the shoulder rest arm with one hand while tightening the screw **not too firm**

This adjustment can only be carried out with a shoulder rest arm that is mounted and latched onto the base.vornehmen.

Adjustment:

Turning, tilting the pad rest sideways or lengthwise



Place the hex wrench through the central opening of the pad into the screw and open the screw by ca. 1/2 turn. Then you can manouvre the pad rest in 3 axes. Now choose the new position of the pad rest and hold the pad rest with one hand while tightening the screw **not too firm**.

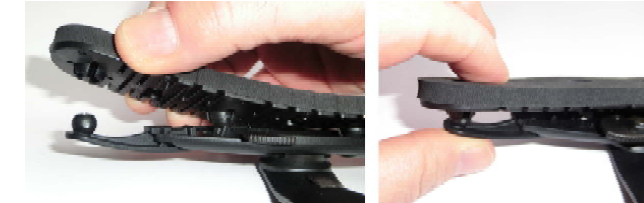
Tip:

Should you have problems with the hex wrench to locate the hexagon of the screw, remove the pad, make the adjustment and re-clip the pad.

You can also attach the pad rest twisted by 180°.

Changing pads:

You can remove the pad by unHINGING it from the 4 ball joints.



Re-mount the pad by successively clipping the 4 ball joints together.

Tip: You can clean the pad under running water using a rinsing agents.

Use of the setting template:



Use of the setting template:

With the help of this template you can easily carry out smaller adjustments on your shoulder rest. Attach this template as shown, mark or memorise the value of both points and change the setting of the shoulder rest.

--- Please check after each set-up both locking mechanisms, the distances and the firm fit of the fasteners on the instrument. ---