



SJIII 3220/26

ELECTRIC SCISSOR LIFTS

STANDARD FEATURES

- Drivable at full height with roll out deck fully extended
- Variable speed, rear two wheel hydraulic drive
- Dual holding brakes
- Proportional controls for drive & lift functions
- 0.91 m roll out extension deck
- 24V DC power source
- Low voltage battery protection
- Relay based control system
- Colour coded and numbered wiring system
- 30% gradeability
- Solid rubber, non-marking tyres
- Pothole protection system
- Wiring for AC outlet on platform
- Tilt alarm with drive & lift cut-out
- Overload sensing system
- Lowering warning system
- Operator horn
- Half height spring hinged gate
- Hinged railing system
- Lanyard attachment points
- Forklift pockets and tie down/lift lugs

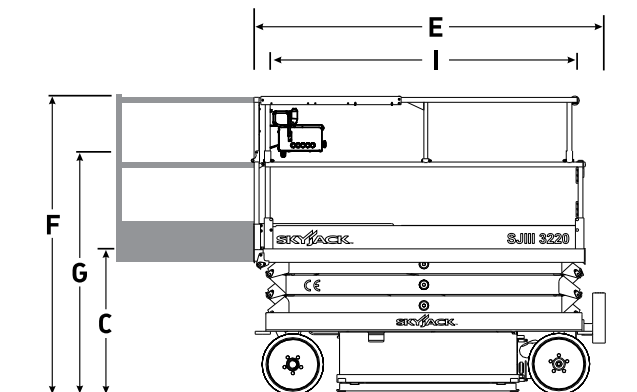
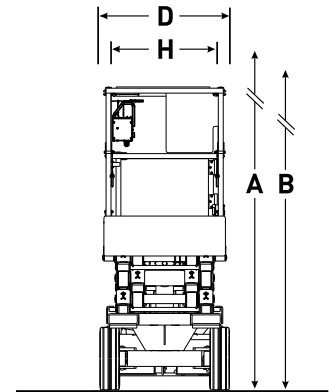
ACCESSORIES AND OPTIONS

- Flashing light
- 1.83 m powered extension deck (3220 only)
- 250 Ah batteries
- All motion audible alarm
- Dual flashing lights
- AGM batteries
- Shroud-style control box guard
- Pipe racks
- Drywall/board carrier

* Capacities, and machine weights may differ when options are added.

SJIII 3220/26 ELECTRIC SCISSOR LIFTS

Dimensions	SJIII 3220
A Work Height	8.10 m
B Raised Platform Height	6.10 m
C Lowered Platform Height	0.97 m
D Overall Width	0.81 m
E Overall Length	2.32 m
F Stowed Height (Rails Up)	1.97 m
G Stowed Height (Rails Down)	1.73 m
H Platform Width (Inside Dimension)	0.71 m
I Platform Length (Inside Dimension)	2.13 m
Specifications	SJIII 3220
Extension Deck (Roll Out)	0.91 m
Ground Clearance (Stowed)	8.89 cm
Ground Clearance (Raised)	1.90 cm
Wheelbase	1.75 m
Weight	1,594 kg
Gradeability	30%
Turning Radius (Inside)	1.27 m
Turning Radius (Outside)	2.74 m
Lift Time (With Rated Load)	33 sec
Lower time (With Rated Load)	29 sec
Drive Speed (Stowed)	3.2 km/h
Drive Speed (Raised)	1.1 km/h
Maximum Drive Height	Full Height
Capacity (Overall)	408 kg
Distributed Capacity (Main Platform)	272 kg
Distributed Capacity (Extension Deck)	136 kg
Local Floor Load (With Rated Load)	897 kPa
Overall Floor Load (With Rated Load)	12 kPa
Maximum # of Persons (indoor/outdoor)	2/0
Tyre Type	Solid, N/M
Tyre Size	16 x 5 x 12



Skyjack UK
 Unit 1, Maes-y-Clawdd
 Maesbury Road Industrial Estate
 Oswestry, Shropshire, SY10 8NN
 Tel: +44 1691 676235
 Fax: +44 1691 676239
 Email: info@skyjackeurope.co.uk

Skyjack SAS (France)
 ZI Le Clairin
 69700 Saint Romain en Gier
 France
 Tel: +33 (0) 4 78 73 53 32
 Tel: +33 (0) 4 78 73 05 68
 Fax: +33 (0) 4 78 56 52 42

Skyjack Hebebühnen GmbH (Germany)
 Därmannsbusch 2a
 D-58456 Witten
 Tel: +49 (0) 2302 20 26 909
 Fax: +49 (0) 2302 20 25 671

Skyjack AB (Sweden)
 Agnesbergsvägen 28
 424 38 Agnesberg
 Sweden
 Tel: +46 (0) 31 21 22 45
 Fax: +46 (0) 31 787 65 10

www.skyjack.com