



# INSTALLATION INSTRUCTIONS

## WARN Winch Mount

For: JEEP CJ's, 8274 Winch Mount

Kit Number: 11310

Your safety, and the safety of others, is very important. To help you make informed decisions about safety, we have provided installation and operating instructions and other information on labels and in this guide. This information alerts you to potential hazards that could hurt you or others. It is not possible to warn you about all potential hazards associated with this product, you must use your own good judgment.

**CARELESS INSTALLATION AND OPERATION CAN RESULT IN SERIOUS INJURY OR EQUIPMENT DAMAGE. READ AND UNDERSTAND ALL SAFETY PRECAUTIONS AND OPERATING INSTRUCTIONS BEFORE INSTALLING AND OPERATING THIS PRODUCT.**

This guide identifies potential hazards and has important safety messages that help you and others avoid personal injury or death. **WARNING** and **CAUTION** are signal words that identify the level of hazard. These signal words mean:

**WARNING** signals a hazard that *could* cause serious injury or death, if you do not follow recommendations.

**CAUTION** signals a hazard that *may* cause minor to moderate injury, if you do not follow recommendations.

This guide uses **NOTICE** to call attention to important mechanical information, and **Note**: to emphasize general information worthy of special attention

**Note: This winch mount may block the factory turn signals. If so, you will need to purchase WARN P/N 11329 light kit.**

### Parts List:

| PART NO. | QUANTITY | DESCRIPTION                 |
|----------|----------|-----------------------------|
| 11325    | 1        | Winch Plate                 |
| 11110    | 1        | Frame Extension, Right Hand |
| 11111    | 1        | Frame Extension, Left Hand  |

### Tools Required:

|            |                     |            |               |
|------------|---------------------|------------|---------------|
| Socket set | Ratchet & extension | Wrench set | Torque wrench |
|------------|---------------------|------------|---------------|

1. Insert two 7/16"-14 x 1-1/2", grade 5, round head, square neck bolts thru each frame extension with the threads pointing up. **See Figure 1.**

**On 75 and earlier models**, align holes in side of frame extension with holes in side of frame and secure with two 5/8"-11 x 1-1/2", grade 5, hex head cap screws, 5/8" lock washers, flat washers, and 5/8"-11 hex nuts. Torque 5/8" to 150 lb/ft. **See Figure 1.** Repeat for opposite side of frame.

**On 76 and later models**, a 5/8"-11 x 3-1/4", grade 2, hex head cap screw must be placed thru the rear hole of the frame extension and a spacer placed on the cap screw before inserting thru frame. After inserting thru frame, secure with 5/8" lock washer, flat washer, and 5/8"-11 hex nut. Torque to 90 lb/ft. Place a 5/8"-11 x 1-1/2", grade 5, hex head cap screw thru the front hole of the frame extension and the frame and secure with 5/8" lock washer, flat washer, and 5/8"-11 hex nut. Torque to 150 lb/ft. **See Figure 1.** Repeat for opposite side of frame.

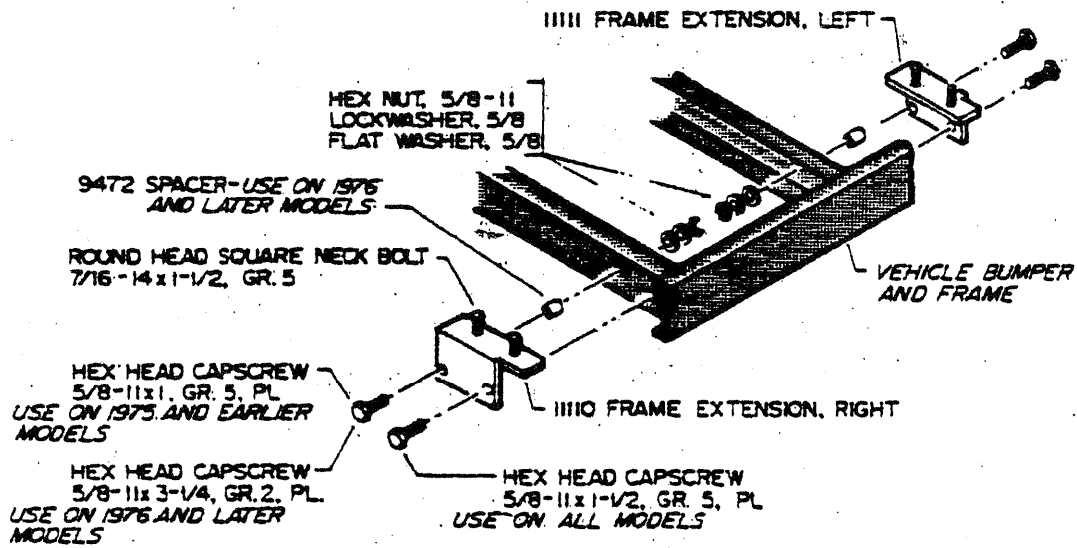


Figure 1

- Place winch mounting bracket on bolts protruding from frame extensions and secure with 7/16"-14 hex nuts and lock washers. Torque to 50 lb/ft. See Figure 2.

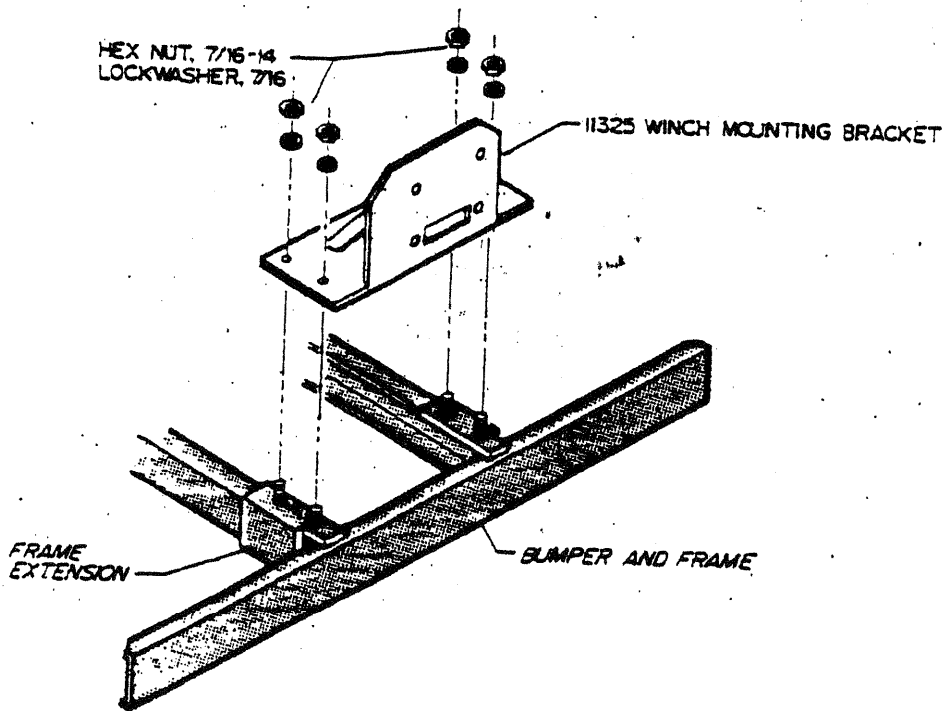


Figure 2



# WARN® ATV/ UTILITY/ MOUNTING SYSTEM/ ACCESSORY PRODUCTS

## LIMITED ONE (1) YEAR WARRANTY STATEMENT

Warn Industries, Inc. (WARN) warrants to the original purchaser that the mechanical components and electrical components of the "WARN" Products specified below will be free of defects in material and workmanship for a period of one (1) year from the original date of purchase. This Warranty applies only to the original purchaser of the Products. To obtain any warranty service, you must provide WARN with proof of purchase and date of purchase acceptable to WARN, such as a copy of your purchase receipt. This warranty does not cover the removal or reinstallation of the Product. WARN will, at its option, repair, replace or refund the purchase price of a defective Product or component, provided you return the defective Product or component during the warranty period, transportation charges prepaid, to Warn Industries' Service Department or a Factory Authorized Service Center. Attach your name, address, telephone number, a description of the problem, and a copy of your receipt and original bill of sale bearing the WARN serial number of the defective Product and date of purchase.

This warranty does not apply (i) to parts or components excluded below, or (ii) if the Product has been damaged by accident, abuse, misuse, collision, overloading, modification, misapplication, improper installation, or improper service. This warranty is void if any WARN serial number has been removed or defaced. Commercial or industrial use or application, or any hoisting application of the Product voids the warranty.

THE WARRANTY SET FORTH ABOVE IS THE ONLY WARRANTY. THERE ARE NO OTHER WARRANTIES, EXPRESS OR IMPLIED, INCLUDING BUT NOT LIMITED TO IMPLIED WARRANTIES OF MERCHANTABILITY OR FITNESS FOR A PARTICULAR PURPOSE.

ANY IMPLIED WARRANTY WHICH BY LAW MAY NOT BE EXCLUDED IS LIMITED IN DURATION TO ONE (1) YEAR FROM THE DATE OF ORIGINAL RETAIL PURCHASE OF THE PRODUCT.

WARN SHALL NOT BE LIABLE FOR SPECIAL, INDIRECT, INCIDENTAL OR CONSEQUENTIAL DAMAGES (INCLUDING, BUT NOT LIMITED TO, LOST PROFITS, DOWN TIME OR LOSS OF USE) UNDER ANY LEGAL THEORY, EVEN IF WARN WAS ADVISED OF THE POSSIBILITY OF SUCH DAMAGES.

Some states do not allow the exclusion of implied warranties or the exclusion or limitation of liability for incidental or consequential damages, or limitations on how long an implied warranty lasts, so the above limitation or exclusion may not apply to you. This warranty gives you specific legal rights. You may also have other rights that vary from state to state.

WARN reserves the right to change Product design without notice. In situations in which WARN has changed a Product design, WARN shall have no obligation to upgrade or otherwise modify previously manufactured Products.

No WARN dealer, agent or employee is authorized to make any modification, extension or addition to this warranty.

Warranty inquires and Products returned for warranty service should be sent to:

### **WARN INDUSTRIES, INC**

**Customer Service Department**

**12900 SE Capps Road**

**Clackamas, OR 97015**

**1-800-543-WARN (1-800-543-9276)**

**1-503-722-3005 International Fax**

#### **Products covered by this Warranty**

ATV Winch Products  
Utility Winch Products  
Winch Mounting Systems, Bumpers, Body Armor  
ATV Mounting Systems & Bumpers  
ATV Disconnect  
All Accessories  
ATV Plows, Lifts & Mounting Systems

#### **Products Not Covered by this Warranty**

Finish and Wire Rope for ATV Winch Products  
Finish and Wire Rope for Utility Winch Products  
Finish to Winch Mounting Systems, Bumpers & Body Armor  
Finish to ATV Mounting Systems & Bumpers  
Finish to ATV Disconnect  
Finish to all accessories and Light Bulbs  
Finish to ATV Plows & Mounting Systems