

Atla Water System – Model A370 Usage & Installation Instructions



Dedicated Faucet Connection

Welcome to the Atla family and congratulations. You just purchased the most comprehensive drinking water appliance available today.

Enjoy the water!

DAILY USE

Some Atla technologies require water to be moving, while others require water to be still. Therefore, it will take 24 hours of normal use for the system to 'charge up' and up to a week of normal use for maximum power.

The A370 Purification Module will require filter changes every 12 months or 1000 gallons – whichever comes first – or if the water begins to flow too slowly.

Model A370 uses **Filter Set FS300**. To order filters or alternative installation parts, visit atlawater.com.

The Atla Water Revitalizer requires no maintenance. Attempts to open the tank may damage the head and sub-assembly. If internal tamper seals are broken, the system warranty will be void.

TDS TESTING – TDS or Total Dissolved Solids in drinking water is 99%+ minerals. Atla is designed to remove contaminants without removing minerals, while adding more minerals (magnesium). The resulting TDS will be close to that of the source water.

WARRANTY

The Atla Water System is warranted against material defects and errors in workmanship for a period of two (2) years. Faucets have a one (1) year warranty. The warranty does not cover damage to the system or any property damage, including flood and/or water damage. All plumbing systems should be inspected periodically after installation to ensure an absence of leaks that may result in damage to surrounding areas.

CHECK YOUR SYSTEM

Please inspect the shipping box to ensure that all system components are accounted for. If any components are missing or appear to have been damaged in transit, please contact us for assistance.

SYSTEM CONTENTS

SMALL PART IDENTIFICATION CHART AT END OF DOCUMENT

- (1x) Purification Module
- (1x) Revitalizer
- (1x) Wrench
- (3x) Filter Cartridges
- (2x) Screws
- (2x) Elbows
- (1x) Faucet Adapter
- (3x) Tubing
- (1x) Angle Stop Valve
- (1x) Faucet (if ordered)
- (1x) Usage & Installation Instructions
- (1x) Purification Module Mounting Template

INCLUDED PARTS REFERENCED WITH A GRAY BACKGROUND IN INSTRUCTIONS, E.G. **ELBOW**

INSTALLATION OVERVIEW

The Atla Water System can be installed by anyone with handy-person skills and a few basic tools. Any plumber who installs under-the-sink water systems can also perform the installation. It is best to remove all loose items from under the sink prior to installation. If installing the Atla faucet where a dishwasher air-gap/vent currently resides, simply tie up the air-gap at the highest point available in the under-sink cabinet. Ensure this level is at least a few inches above the drain connection point of the dishwasher. Remember to always run the disposal prior to operating the dishwasher to prevent overflows.

Atla is not responsible for damage resulting from improper installation, re-routing of existing fixtures, or violations of local plumbing codes. Only perform the installation yourself if you feel comfortable with the job and take full responsibility for your work. If unsure, call a plumber for assistance.

TOOLS REQUIRED

- Power Drill/Screwdriver
- Basin Wrench (aka Faucet Wrench, available at most hardware stores)
- Appropriate Drill or Hole-Cutter for sink/countertop material (if no hole currently exists for faucet)
 - Minimum Diameter – ½” Maximum Diameter – 1 ½”
- Utility Knife w/ New Blade & Cutting Board (optional)
- Adjustable Wrenches and/or Wrenches
- Plumber’s Tape

INSTALLATION PRO-TIP

Tubing is installed by pushing tubing ends into the push-fit fittings on the system components. Push in tubing until fully seated. You may need to wiggle the tubing while pushing. Approximately 5/8” of tubing will slide into a fitting when fully inserted.

To remove tubing from a fitting, pull out on tubing while simultaneously pushing in on the ring surrounding the tubing.

INSTALLATION

STEP #1: Install the Angle Stop Valve (do NOT use plumber's tape)

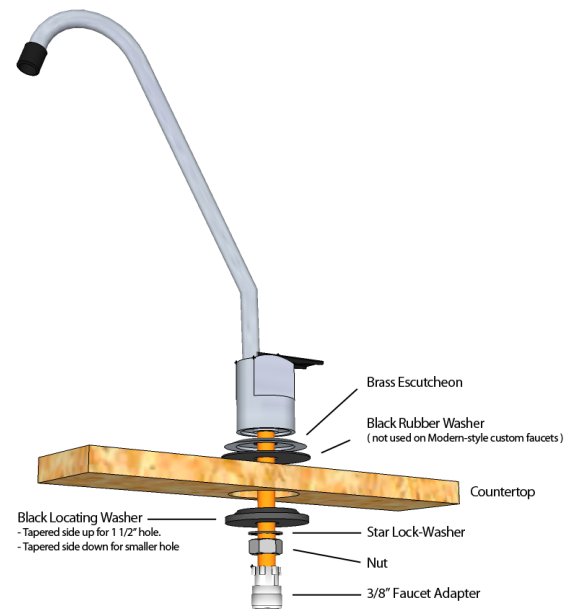
1. Close the cold water supply valve to the kitchen faucet. Open cold side of kitchen faucet to relieve pressure and then close again
2. Disconnect tube/hose/pipe supplying kitchen faucet from the cold water supply valve. Do not remove tube/hose/pipe from the kitchen faucet
3. Screw Angle Stop Valve onto cold water supply valve. Do not use plumber's tape
4. Connect tube/hose/pipe supplying kitchen faucet to the Angle Stop Valve

If the Angle Stop Valve does not fit your cold water supply valve, please visit atlawater.com for alternative installation components or contact Atla for assistance.

STEP #2: Install Faucet

NOTE: Not all parts contained in the faucet box will be used during installation. Please refer to the diagram below.

1. Gather parts indicated in diagram and discard unused parts
2. If drilling a hole, locate and mark the desired location and drill the hole
3. Assemble Brass Escutcheon and Black Rubber Washer onto faucet stem and place faucet in hole
4. On the underside of countertop, slide Black Locating Washer and Star Lock Washer up onto stem
5. Screw Nut onto stem by hand and spin it up the stem until faucet is held in place
6. Use a 9/32" wrench or Basin Wrench and tighten Nut until faucet is secured to countertop
7. Screw Faucet Adapter onto stem by hand. Do not use plumber's tape or other sealants. Do not overtighten
8. Insert Tubing into Faucet Adapter ensuring 5/8" of tubing slides into adapter



STEP #3: Attach Elbows to Purification Module

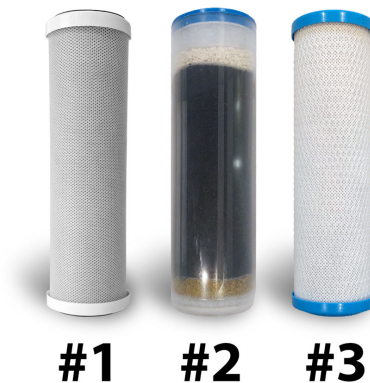
1. Wrap Elbow threads with plumber's tape. 2 wraps are sufficient with most brands of tape. Do not overwrap or overtighten as this can cause cracks! Screw Elbows into Purification Module inlet and outlet ports. Use care not to cross-thread Elbows while screwing them in. The Elbows can point in any direction best for the tubing connection (feel free not to tighten so final adjustments can be made later).

STEP #4: Situate and Arrange Purification Module and Revitalizer in Under-Sink Cabinet

1. Situate system modules in under-sink cabinet
2. Purification Module is wall mounted and installed four inches back from the cabinet opening, allowing for easy filter changes. Mount to either left side or right side cabinet wall
3. Modules are connected with Tubing. Purification Module IN will be connected to the Angle Stop Valve. Purification Module OUT will be connected to the Revitalizer IN. Revitalizer OUT will be connected to the Faucet Adapter. Ensure position of modules is within the 36" lengths of supplied tubing

IMPORTANT: Module locations must allow for gradual tubing bends – no sharp bends or 90-degree angles.

4. If everything looks like it will fit together without problems, continue to Step #5. If not, re-arrange modules



STEP #5: Attach Purification Module to Cabinet Wall, Install Filter Cartridges

1. Align side edge of Purification Module Mounting Template to front edge of cabinet wall

IMPORTANT: Purification Module Mounting Template must be unfolded and laying perfectly flat on wall before continuing.

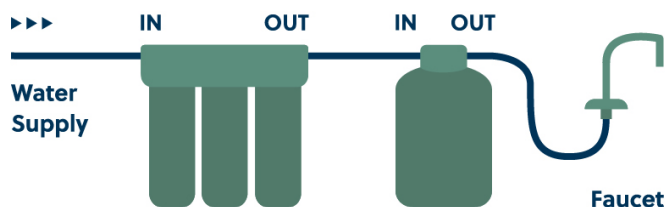
2. Using a power screwdriver, attach mounting Screws to cabinet wall. Leave approximately 3 mm of space between cabinet wall and screw head. Hang Purification Module on Screws
3. Use Wrench to loosen the three filter housings on the Purification Module. NOTE: The housings unthread counterclockwise when viewed from the bottom. Facing head-on, the housings should be turned to the left. Once loosened, housings should be unscrewed by hand
4. Refer to filter identification image above. Unscrew #1 filter housing from the Purification Module. Unwrap the #1 Filter Cartridge and place into the #1 filter housing. Ensure filter cartridge sits over the alignment pipe at the bottom of housing and that filter gaskets are in place
5. Gently thread housing back onto Purification Module. Tighten by hand and do not overtighten
6. Repeat the previous two steps for the #2 and #3 Housings/Filters

IMPORTANT: "THIS END UP" on the #2 filter cartridge must be at the OPEN END of the housing.

STEP #6: Install Tubing

IMPORTANT: Only shorten tubing if your installation requires it. Cut tubing using a utility knife and cutting board. Cuts must be perpendicular to tubing-length and be burr-free. Messy cuts can damage o-rings and result in leaks.

1. Connect the system components according to the diagram below:



2. Tubing is installed by pushing the tubing ends into the push-fit fittings on the system components. Push in until fully seated. Approximately 5/8" of tubing will slide into the fitting

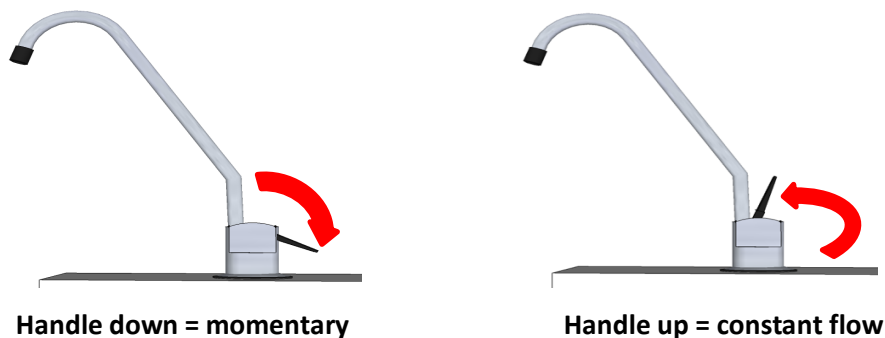
NOTE: Tubing not fully seated will result in leaks.

STEP #7: Filling and Flushing the Atla Water System

1. Open Atla Faucet fully and then slowly open the cold water supply valve

IMPORTANT: Watch for leaks and be ready to close the cold water supply valve.

NOTE: The basic faucet has a 'constant flow' feature:



2. The system will fill for several minutes. During this time, air will exit the faucet
3. Once water exits the faucet, allow it to flow for TWENTY (20) minutes. During this time, dry off all tubing and fittings with a dry cloth or paper towel. After twenty minutes, close the Faucet. Wait five minutes more and then feel all connections for water drops or dampness. Dampness in these areas may indicate a loose connection

STEP #8: Continue to inspect for leaks over the next few days to weeks

Leaks can develop with time. Be sure to inspect the system and entire under-sink area with a flashlight. Atla is not responsible for leaks or flood damage of any kind. Be vigilant.

CONGRATULATIONS

The Atla Water System is now installed!

IMPORTANT NOTE – PLEASE READ

After installation, water may be cloudy or taste heavily of minerals for 2-3 weeks. This is normal as it takes time for the filters to become conditioned to the source water. Whenever an off-taste is noticed, flush the system for 7-minutes.

FEEDBACK

These instructions have been refined based on installer feedback and to accommodate a variety of installer skill levels. If you have recommendations for improvement, please email hello@atlawater.com.

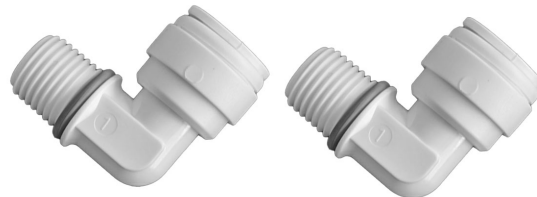
Wrench



Faucet Adapter



Angle Stop Valve



Elbows