



PO Box 845
Buckingham, PA 18912

844-976-2537 rokktools.com

Redefining How You Build

MODEL NAME: Wood ROKKPro

Part Number: RT-15-0000

Operating Instructions



READ ALL INSTRUCTIONS AND WARNINGS BEFORE USING THIS PRODUCT AND RETAIN THESE INSTRUCTIONS FOR FUTURE REFERENCE.

This manual provides important information on proper operation and maintenance. Every effort has been made to ensure the accuracy of this manual. We reserve the right to change this product at any time without prior notice.

If you experience a problem or need parts for this product, please call Rokk Tools, LLC customer service at 844-976-2537, or go to www.rokktools.com to contact us online.

TABLE OF CONTENTS

GENERAL PRODUCT SPECIFICATIONS.....	3
FEATURES	3
PACKAGE CONTENTS	3
SPECIFICATIONS	3
IMPORTANT SAFETY RULES	4
OPERATION	5
PRODUCT USAGE	6, 7, 8
MAINTENANCE	9
PARTS DIAGRAM & LIST	9, 10

Warning and important safety instructions appearing in this manual are not meant to cover all possible conditions and situations that may occur. Common sense, caution, and care must be exercised when assembling or using this product.

This product was made for use on wood framing only.

Always contact your dealer, distributor, service agent, or manufacturer about problems or conditions you do not understand.

GENERAL PRODUCT SPECIFICATIONS

FEATURES

- Aluminum Construction
- Pivoting tapered shelf
- Made in the USA

PACKAGE CONTENTS

- Qty (1) Wood ROKKPro and instruction manual

SPECIFICATIONS

- 80 Lb Max Capacity
- Sheet Quantity Capacity – 1 piece MAX
- Holds panels up to 4 ft. x 10 ft. MAX with one installer
- Holds panels up to 4 ft. x 16 ft. MAX with two installers



KEEP THIS MANUAL, SALES RECEIPT, AND APPLICABLE WARRANTY FOR FUTURE REFERENCE. READ ALL INSTRUCTIONS AND WARNINGS BEFORE USING THIS PRODUCT.

When unpacking, check to make sure that all parts listed are included. If any parts are missing or broken, please call Customer Service at **844-976-2537**.

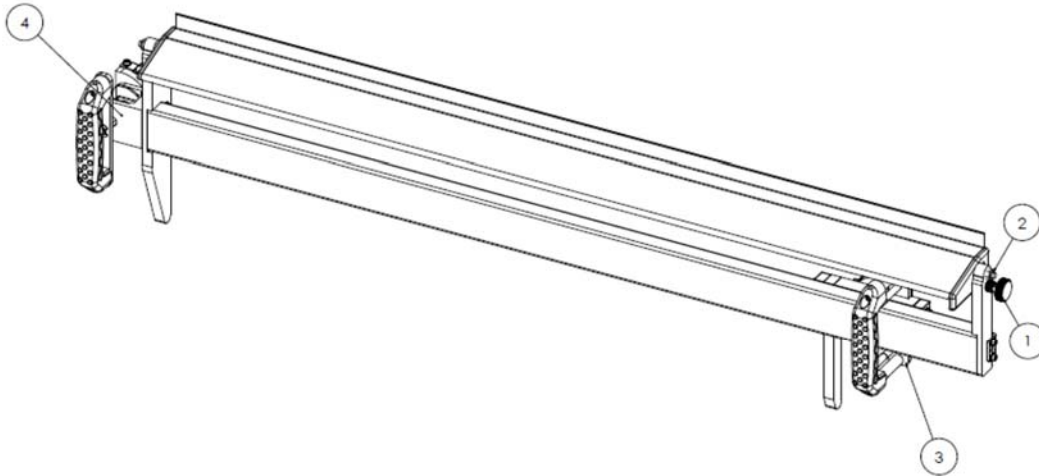
IMPORTANT SAFETY RULES

Common sense cannot be built into any product, this must be supplied by the operator. Please use caution in all applications.

GENERAL WARNINGS

- Keep the work area clean and well lit. A cluttered work area may cause accidents.
- Never allow children to use this product without responsible adult supervision. When operating this product, keep children at a safe distance from the work area.
- Wear suitable clothing. Do not wear loose clothing or jewelry. They may get caught in moving parts. Never wear rings with protruding parts. Wear a hat over long hair.
- Always wear safety goggles, a hard hat, and work gloves when using the product.
- When not in use, store in a secure, dry, and safe place. The storage area should be lockable and out of the reach of children.
- Use a product designed for the job being performed. Never use this tool for anything other than its intended purpose.
- Maintain this product with care. This product works best and safest if it is kept clean. Observe the instructions for maintenance. Keep dry and free from oil and grease.
- Stay alert. Do not use this product when impaired by medicine, drugs, or alcohol. Watch what you are doing and use common sense for your safety.
- Before using this tool, check that all parts operate smoothly and efficiently. Make sure that all moving parts are in working order. Do not use with broken or damaged parts.
- Service must be performed by qualified repair personnel. Service or maintenance performed by unqualified personnel could result in risk or injury.
- When servicing a tool, use only identical replacement parts. Use of unauthorized parts or failure to follow maintenance instructions may create a risk of injury.

COMPONENTS



ITEM NO.	PART NUMBER	QTY.
1	RT 15-10001 Frame Assy	1
2	RT 15-10002 Swivel Assy	1
3	RT 15-10003 Slide Assy	1
4	RT 15-10004 Clamping Assy	1

ASSEMBLY

This product comes fully assembled. Inspect prior to using to ensure that all parts are in working order.

OPERATION

- **Unpack product from package and review contents.** Keep all packaging until product has been reviewed. This product should be inspected prior to use to make sure that all parts are intact and safe to use.
- **Maximum weight usage is 80 pounds.** Do not lift beyond that load.
- **Inspect the unit carefully before use.**

PRODUCT USAGE

1) The Wood ROKKpro will clamp to almost any type of wood framing members. Start by clamping to the top of a wall to install panels on the ceiling first. The $\frac{3}{4}$ " flange on the top of the tapered shelf should touch the ceiling joists.



2) To clamp, squeeze the right side (trigger) handle to slide the "jaws". Make sure that the left side is in the vertical position. Once the jaws are securely placed around the framing members apply pressure and release the trigger to lock the slide arm in position.



3) While holding both handles turn the left handle clockwise 90 degrees to apply torque and set the "teeth" into the grain of the wood.



4) Always make sure that both arms are seated flush on the lumber.



WRONG!!



WRONG!!



WRONG!!



5) After completing the first row of ceiling sheets you may not have a wall available for clamping. pull the pin to swivel the shelf 90 degrees and release pin to lock in position. Follow the same clamping procedure to clamp to ceiling rafters when no walls are available.



6) TIP: Set the shelf flange 48 ¼" away from the last installed course of drywall to support the next sheet to be installed.



7) When the ceiling is completed, measure down 47 ½" from ceiling and snap a chalk line to clamp the Wood ROKKpro in place and take the weight while you install the top course of wall panels.



8) The curved jaws allow for clamping on many angles.



9) **HAZARDS:** DO NOT clamp around electrical wires, plumbing, or any other situation that may cause damage.



NO!!!

10) Always check to make sure the Wood ROKKpro is properly set before placing any loads on it!!! To do this, apply firm downward pressure to the main assembly.



MAINTENANCE

Before and after using this tool, check the Acme rod that engages the sliding assembly for any obstructions. Adhesives or other jobsite debris could cause the slide clamp nut to slip.

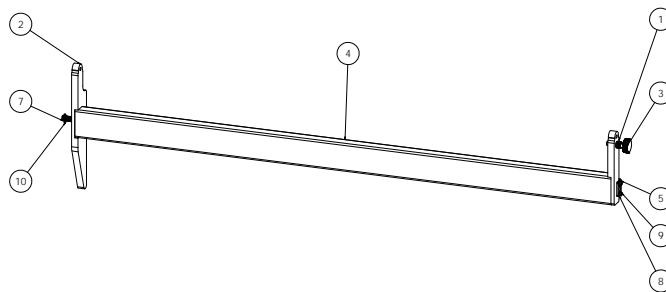
Some chemicals can damage this product. Do not use harsh chemicals such as gasoline, carbon tetrachloride, paint thinner, etc. to clean this product.

A qualified repair technician must perform any service or repair. Service or maintenance performed by unqualified personnel could result in injury. Use only identical replacement parts. Use of unauthorized parts or failure to follow maintenance instructions may create a risk of injury.

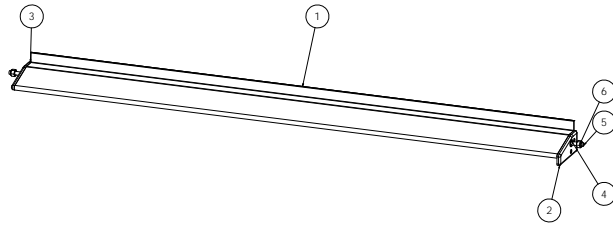
Inspect all parts for damage. Worn or damaged parts can fail, resulting in sudden and rapid lowering of the load and possibly resulting in serious property damage, serious bodily injury and/or death.

Store under cover.

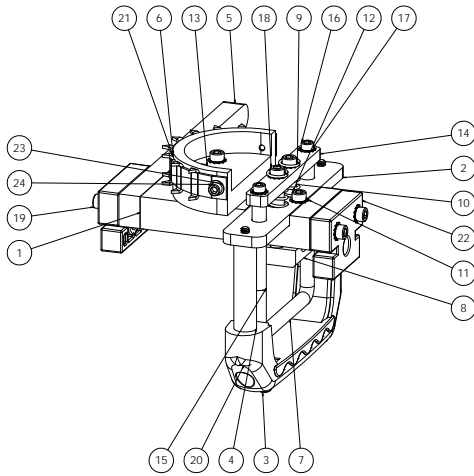
PARTS DIAGRAM & LIST



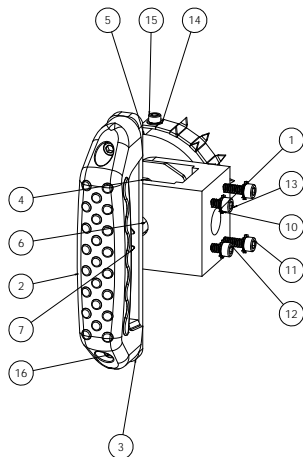
ITEM NO	PART NUMBER	QTY
1	RT 15-10006 Frame Right Side	1
2	RT 15-10007 Frame Left Side	1
3	Wtwp	1
4	Revised RT 15-10005 Frame 09/04/09	1
5	RT 15-10021RA Spring Holder	1
6	LoadSpring-CC06YGH06M	1
7	Acme Rod	1
8	91114A009	2
9	91251A192	2
10	98296AB79	2



ITEM NO.	PART NUMBER	QTY
1	RT 15-10008 Swivel Extrusion	1
2	RT 15-10009 Swivel Right Side	1
3	RT 15-10010 Swivel Left Side	1
4	9029SA140	2
5	Swivel Threaded Rod	1
6	9561SA120	2



ITEM NO.	PART NUMBER	QTY
1	RT 15-10011 Slide Plate	1
2	RT 15-10013 Slide Handle Support	1
3	1950A3	1
4	92511A084	2
5	RT 15-10012 Slide Framing Support	1
6	RT 15-10020 Grippers	1
7	1568A11	1
8	RT 15-10016 Slide Clamp Nut	1
9	9657K311	2
10	92510A245	2
11	91114A011	12
12	91251A242	2
13	91251A245	4
14	RT 15-10015 Slide Pinch Handle Support	1
15	92510A253	2
16	91251A207	2
17	91114A009	2
18	91251A253	2
19	91251A251	2
20	91251A084	2
21	RT 15-10024 Clamp Cleats	1
22	Molded RT 15-10014 Slide Members	2
23	91113A009	2
24	91251A191	2



ITEM NO.	PART NUMBER	QTY
1	RT 15-10017 Clamping Support	1
2	1950A3	1
3	RT 15-10019 Clamping Handle Support	1
4	RT 15-10023A Rotary Cam	2
5	RT 15-10020 Grippers	1
6	RT 15-10018 Clamping Shaft	1
7	97431A320	4
8	RT 15-10023BA Shaft Clamp	1
9	90229AS10	2
10	91114A011	8
11	91251A245	4
12	91251A242	2
13	RT 15-10024 Clamp Cleats	1
14	91113A009	2
15	91251A191	2
16	91251A247	2