

THIS SPACE FOR DESIGNER/ENGINEER APPROVAL

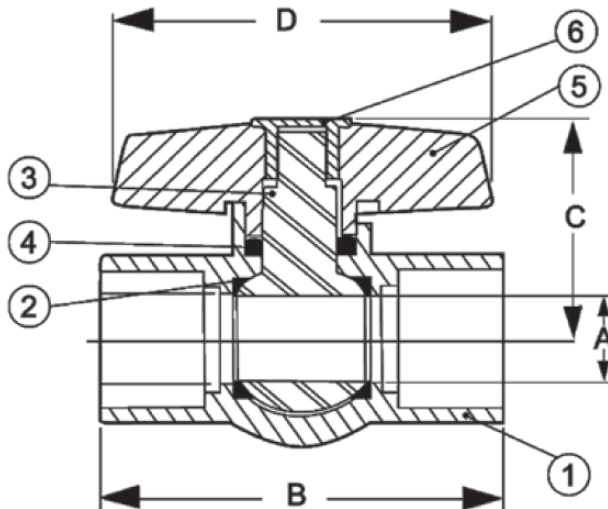
Job/Customer _____	Date _____	Contractor _____
Model Specified _____	Qty _____	Approved By _____
Designer/Engineer _____	Date _____	Contractor's PO# _____
Submitted By _____	Date _____	Other _____

0392 Series
Full Port PVC Ball Valves
Fits Schedule 40 & 80 Pipe
IPS
230 PSI @ MAX TEMP 113°F
ISO 9001

ITEM #	SIZE	CTN	CASE	A	B	C	D
03922	1/2"	1	24	1/2	3	1 3/4	2 3/4
03923	3/4"	1	24	3/4	3 5/8	2 1/16	3 1/16
03924	1"	1	24	1	4	2 1/4	3 9/16
03925	1 1/4"	1	12	1 1/4	4 7/16	2 9/16	4 5/16
03926	1 1/2"	1	12	1 1/2	5	2 7/8	4 5/16
03927	2"	1	12	2	6	3 3/8	5 1/8



NO.	DESCRIPTION	MATERIAL
1	BODY	PVC (WHITE)
2	SEATS	TPE
3	BALL/STEM	PVC
4	O-RING	FKM
5	HANDLE	ABS (RED)
6	HANDLE CAP	ABS (RED)



Specifications: Designed for residential or commercial use with water, oil or gas. This approved Webstone valve is actuated by a blowout proof stem. Threaded ends comply with ANSI B1.20.1



Quality and Commitment Since 1954

Tel: (800) 225-9529 • Fax (800) 336-5133

Webstone product specifications in U.S. customary units are approximate and are provided for reference only. Webstone reserves the right to change or modify product design, construction, specifications or materials without prior notice and without incurring any obligation to make such changes and modifications on Webstone products previously or subsequently sold.