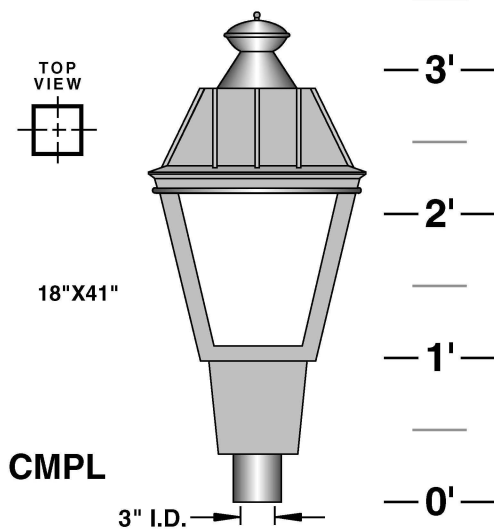
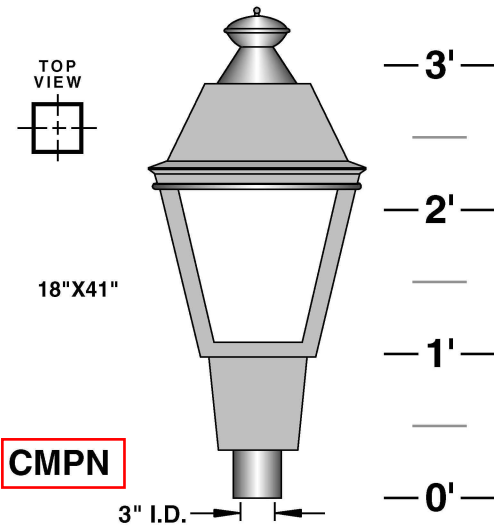


(SPECIFY AS SUFFIX TO LUMINAIRE NO.)

**CAST ALUMINUM CONSTRUCTION. LUMINAIRE PROVIDED WITH ACRYLIC OR POLYCARBONATE LENSES**

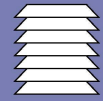


**BALLASTS ARE H.P.F. / C.W.A. AUTOTRANSFORMER, -20° STARTING TEMPERATURE**

METAL HALIDE	HIGH PRESSURE SODIUM	MERCURY VAPOR	FOR FLUOR. LAMPS CONSULT FACTORY
50W.	50W.	50W.	INC. TO 200W.
70W.	70W.	75W.	
100W.	100W.	100W.	
175W.	150W.	175W.	
250W.	250W.	250W.	
400W.	400W.	400W.	

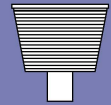


INTERNAL LOUVER



IL

PRISMATIC GLASS REFRACTOR TYPE II TYPE V



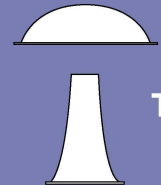
PG-II  
PG-V

GLASS CHIMNEY CLEAR OR 3/4 FROSTED



GCC  
GCF

TWIN REFLECTOR SYSTEM TYPE V



TR-V

**STANDARD PANELS:**  
CLEAR PATTERNED ACRYLIC

- OPTIONS:**
- OPAL SMOOTH ACRYLIC.....WA
  - CLEAR SMOOTH ACRYLIC.....CA
  - OPAL SMOOTH POLYCARBONATE .....WP
  - CLEAR SMOOTH POLYCARBONATE.....CP

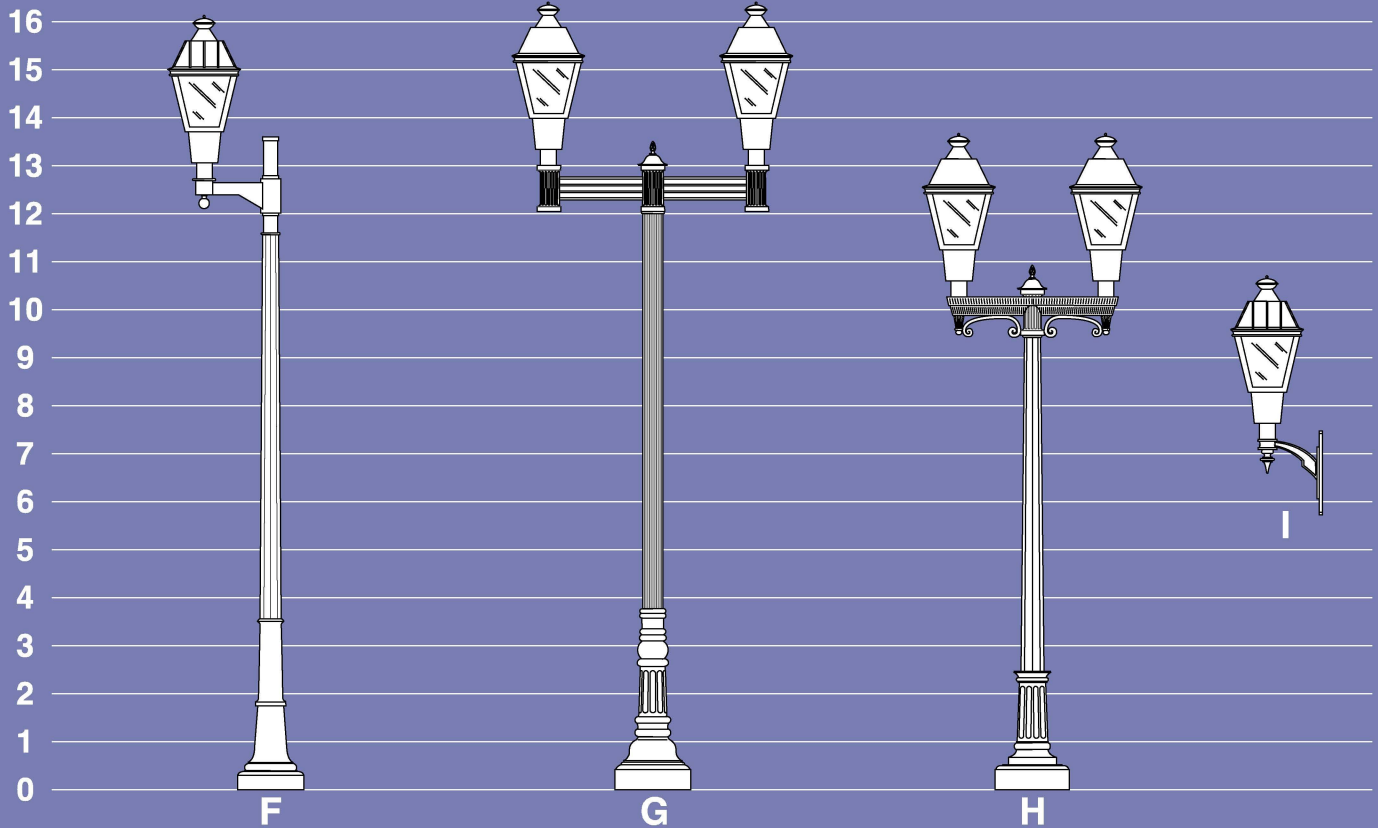
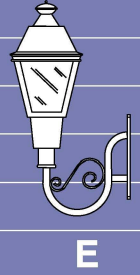
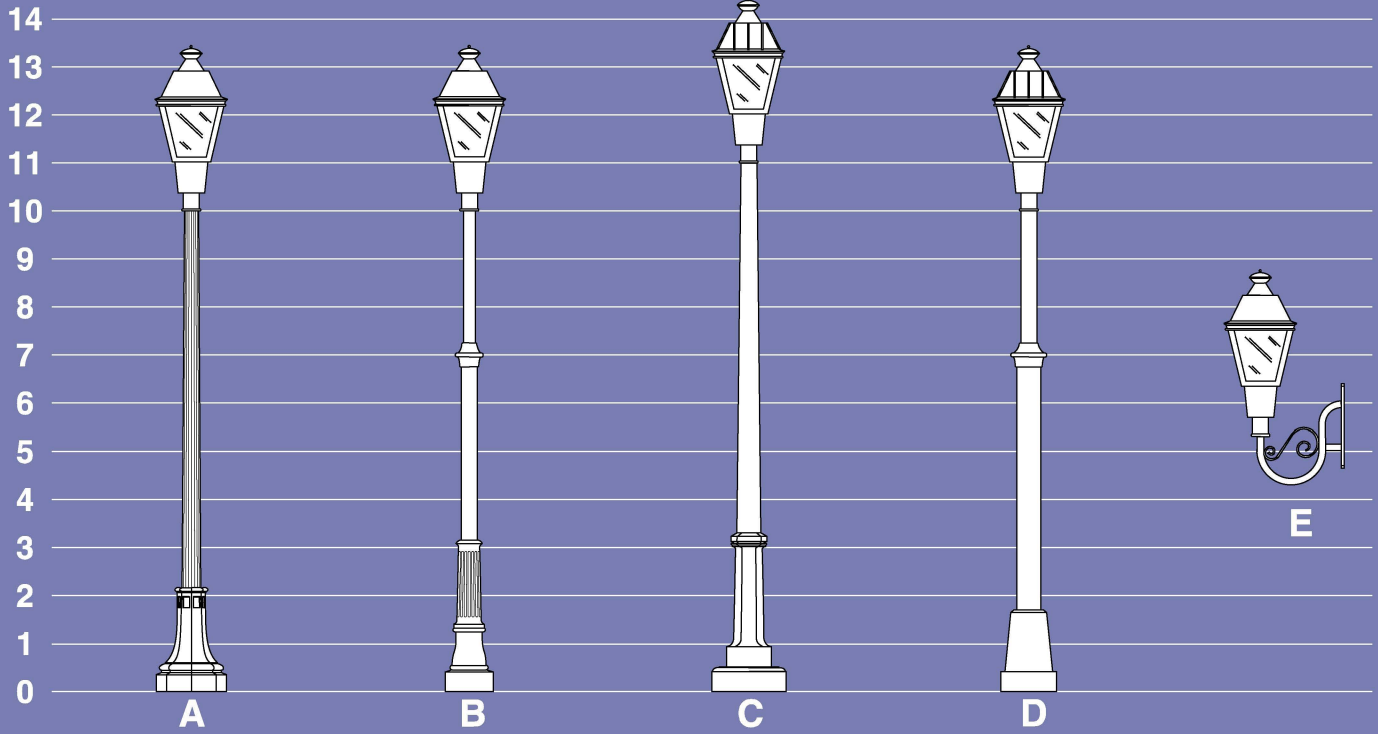
- REFLECTOR OPTIONS**
- TYPE III (HORIZONTAL LAMP).....HR-III
  - TYPE V (HORIZONTAL LAMP).....HR-V

- HOUSE SIDE SHIELD 90°.....HS90°
- 135°.....HS135°
- 180°.....HS180°

PHOTO CELL + VOLTAGE (EXAMPLE: PC120V).....PC+V

SINGLE FUSE (120V., 277V.).....SF

DOUBLE FUSE (208V., 240V., 480V.).....DF



- A. 26-1030C-10'/CMPN-CP/PT/BALLAST/ACCESSORIES/FINISH
- B. 32-4030-10'/CMPN-CA/PT/BALLAST/ACCESSORIES/FINISH
- C. 11-1046T-11'/CMPL-WP/PT/BALLAST/ACCESSORIES/FINISH
- D. 25-9040-10'/CMPL/PT/BALLAST/ACCESSORIES/FINISH
- E. WS/CMPN-WA/XBJ-WM/BALLAST/ACCESSORIES/FINISH

- F. 35-1058C-11'-7"/CMPL/XBY-1/BALLAST/ACCESSORIES/FINISH
- G. 12-1070-12'/CMPN-WP/XAX-2-180/BALLAST/ACCESSORIES/FINISH
- H. 13-1080C-9'-6"/CMPN-WA/XAD-UP-2-180/BALLAST/ACCESSORIES/FINISH
- I. WS/CMPL-CA/XAZ-UP-WM/BALLAST/ACCESSORIES/FINISH