



# WALKDESK TREADMILL WTB500 OWNER'S MANUAL

PLEASE CAREFULLY READ THIS ENTIRE MANUAL BEFORE OPERATING YOUR NEW TREADMILL

# TABLE OF CONTENTS

Important Safety Instructions	3
Important Electrical Instructions	4
Grounding Instructions	4
Important Operation Instructions	5
Assembly Instructions	6
<b>Console</b> Operation	8
General Maintenance	10
Service Checklist – Diagnosis guide	13
<b>Treadmill</b> Exploded View Diagram/Parts List	14

## ATTENTION

**This treadmill is intended for residential use only and is warranted for this application. Any other application voids this warranty in its entirety.**

# IMPORTANT SAFETY INSTRUCTIONS

**WARNING :** Read all instructions before using this appliance.

**DANGER :** To reduce the risk of electric shock disconnect your treadmill from the electrical outlet prior to cleaning and/or service work.

**WARNING :** To reduce the risk of burns, fire, electric shock, or injury to persons, install the treadmill on a flat level surface with access to a 230~volt, 10-amp grounded outlet with only the treadmill plugged into the circuit.

**DO NOT USE AN EXTENSION CORD UNLESS IT IS A 14AWG OR BETTER, WITH ONLY ONE OUTLET ON THE END.**

**The treadmill should be the only appliance in the circuit in which it is connected.**

**DO NOT ATTEMPT TO DISABLE THE GROUNDED PLUG BY USING IMPROPER ADAPTERS, OR IN ANY WAY MODIFY THE CORD SET. A serious shock or fire hazard may result along with computer malfunctions. See Grounding Instructions.**

- Do not operate treadmill on deeply padded, plush or shag carpet. Damage to both carpet and treadmill may result.
- Do not block the rear of the treadmill. Provide a minimum of 3 1/2 feet clearance between the rear of the treadmill and any fixed object.
- Keep children away from the treadmill. There are obvious pinch points and other caution areas that can cause harm.
- Keep hands away from all moving parts.
- Never operate the treadmill if it has a damaged cord or plug. If the treadmill is not working properly, call your dealer.
- Keep the cord away from heated surfaces.
- Do not operate where aerosol spray products are being used or where oxygen is being administered. Sparks from the motor may ignite a highly gaseous environment.
- Never drop or insert any object into any openings.
- Do not use outdoors.
- To disconnect, turn all controls to the off position, then remove the plug from the outlet.
- Do not attempt to use your treadmill for any purpose other than for the purpose it is intended.
- The hand pulse sensors are not medical devices. Their purpose is to provide you with an approximate measurement in relation to your target heart rate. Use of a chest transmitter strap is a much more accurate method of heart rate analysis. Various factors, including the user's movement, may affect the accuracy of heart rate readings. The pulse sensors are intended only as exercise aids in determining heart rate trends in general.
- Use handrails provided; they are for your safety.
- Wear proper shoes. High heels, dress shoes, sandals or bare feet are not suitable for use on your treadmill. Quality athletic shoes are recommended to avoid leg fatigue.

**SAVE THESE INSTRUCTIONS - THINK SAFETY!**

# IMPORTANT ELECTRICAL INSTRUCTIONS

## WARNING!

**NEVER** use a ground fault circuit interrupt (GFCI) wall outlet with this treadmill. As with any appliance with a large motor, the GFCI will trip often. Route the power cord away from any moving part of the treadmill including the elevation mechanism and transport wheels.

**NEVER** remove any cover without first disconnecting AC power. If voltage varies by ten percent (10%) or more, the performance of your treadmill may be affected. Such conditions are not covered under your warranty.

If you suspect the voltage is low, contact your local power company or a licensed electrician for proper testing.

**NEVER** expose this treadmill to rain or moisture. This product is NOT designed for use outdoors, near a pool or spa, or in any other high humidity environment. The operating temperature specification is 40 to 120 degrees Fahrenheit, and humidity is 95% non-condensing (no water drops forming on surfaces).

**Circuit Breakers:** Some circuit breakers used in homes are not rated for high inrush currents that can occur when a treadmill is first turned on or even during use. If your treadmill is tripping the house circuit breaker (even though it is the proper current rating) but the circuit breaker on the treadmill itself does not trip, you will need to replace the home breaker with a high inrush type. This is not a warranty defect.

This is a condition we as a manufacture have no ability to control. This part is available through most electrical supply stores. Examples: Grainger part # 1D237, or available online at [www.squared.com](http://www.squared.com) part # QO120HM.

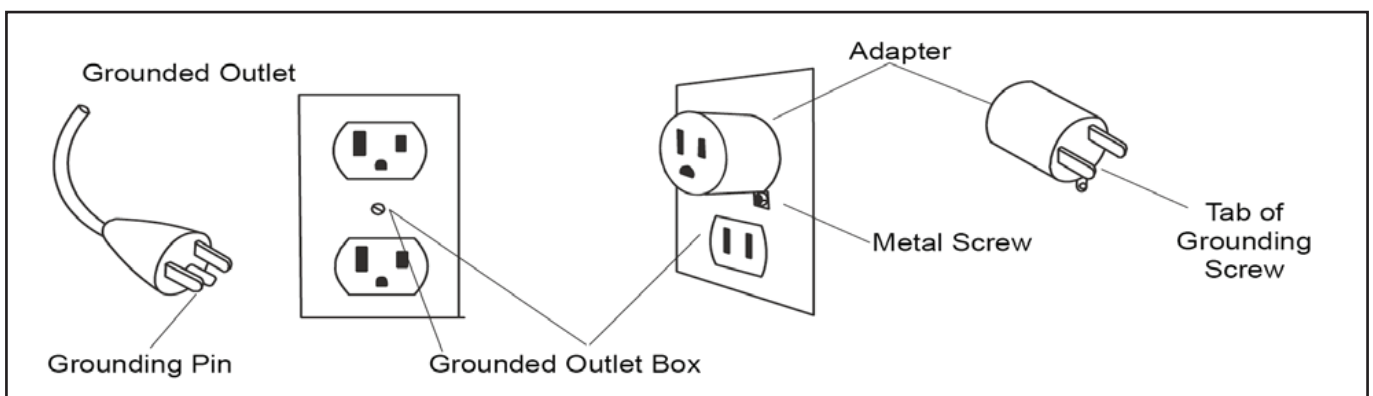
## GROUNDING INSTRUCTIONS

This product must be grounded. If the treadmill should malfunction or breakdown, grounding provides a path of least resistance for electric current, reducing the risk of electric shock. This product is equipped with a cord having an equipment-grounding plug. The plug must be plugged into an appropriate outlet that is properly installed and grounded in accordance with all local codes and ordinances.

**DANGER - Improper connection of the equipment-grounding conductor can result in a risk of electric shock. Check with a qualified electrician or serviceman if you are in doubt as to whether the product is properly grounded. Do not modify the plug provided with the product if it will not fit the outlet; have a proper outlet installed by a qualified electrician.**

This product is for use on a nominal 230~volt circuit, and has a grounding plug that looks like the plug illustrated below. A temporary adapter that looks like the adapter illustrated below may be used to connect this plug to a 2-pole receptacle as shown below if a properly grounded outlet is not available.

The temporary adapter should be used only until a properly grounded outlet, (shown below) can be installed by a qualified electrician. The green colored rigid ear-lug, or the like, extending from the adapter, must be connected to a permanent ground such as a properly grounded outlet box cover. Whenever the adapter is used, it must be held in place by a metal screw.



# IMPORTANT OPERATION INSTRUCTIONS

- **NEVER** operate this treadmill without reading and completely understanding the results of any operational change you request from the computer.
- Understand that changes in speed and incline do not occur immediately. Set your desired work level on the computer console and release the adjustment key. The computer will obey the command gradually.
- **NEVER** use your treadmill during an electrical storm. Surges may occur in your household power supply that could damage treadmill components. Unplug the treadmill during an electrical storm as a precaution.
- Use caution while participating in other activities while walking on your treadmill; such as watching television, reading, etc. These distractions may cause you to lose balance which may result in serious injury. Do not use excessive pressure on console control

## SAFETY TETHER CORD

A safety tether cord is provided with this unit. It is a simple magnetic design that should be used at all times. It is for your safety should you fall or move too far back on the tread-belt. Pulling this safety tether cord will stop tread-belt movement.

### To use :

1. Place the magnet into position on the round metal portion of the console control head. Your treadmill will not start and operate without this. Removing the magnet also secures the treadmill from unauthorized use.
2. Fasten the plastic clip onto your clothing securely to assure good holding power.  
**Note:** The magnet has strong enough power to minimize accidental, unexpected stopping. The clip should be attached securely to make certain it does not come off. Be familiar with its function and limitations. The treadmill will stop, depending on speed, with a one to two step coast anytime the magnet is pulled off the console. Use the **STOP / PAUSE** switch in normal operation.

## TRANSPORT

The treadmill is equipped with transport wheels that are engaged when the treadmill is folded. After folding simply roll the treadmill away.

# ASSEMBLY INSTRUCTIONS

**!!ATTENTION: IMPORTANT UNPACKING INSTRUCTIONS. PLEASE READ BEFORE UNPACKING YOUR FOLDING TREADMILL!!**

Serious injury could occur if this folding treadmill is not unpacked properly.

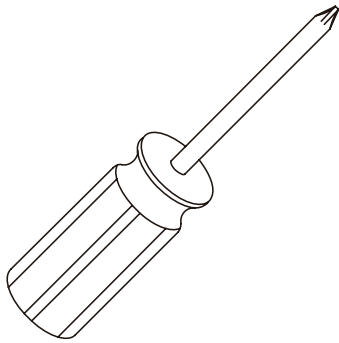
There is a Velcro strap installed around the treadmill base that prevents the treadmill from unfolding accidentally during shipping. If this strap is not removed properly the treadmill could spring open unexpectedly and cause injury if someone is standing near the treadmill when the strap is removed.

To ensure your personal safety during removal of the shipping strap please make sure the treadmill is positioned flat on the ground, in the orientation it would be in if you were using the treadmill. Do not turn the treadmill up on its side while removing the shipping strap. This could cause the treadmill's folding mechanism to spring open. If the end of the Velcro strap (that you need to grab to remove it) happens to be under the treadmill deck, reach under the deck to grab it, but do not tilt the treadmill up to gain access to the strap end.

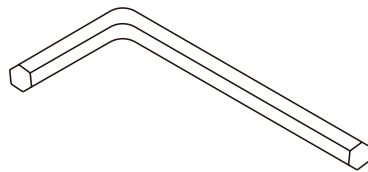
Cut the banding straps with a short box cutter (razor knife); separate the carton from the one underneath it by prying up on the staples (if applicable). Pull the carton over the treadmill parts and locate the hardware pack. The hardware pack is separated into five sections; one section containing tools and four sections labeled steps 1-4 which contain the hardware needed for assembly of each step. The assembly steps below are numbered one through four and correspond to the hardware in the numbered sections of the hardware pack. Remove only the hardware for the step you are currently assembling to avoid confusion and mix ups.

Then remove the treadmill from the carton and lay it on a level surface.

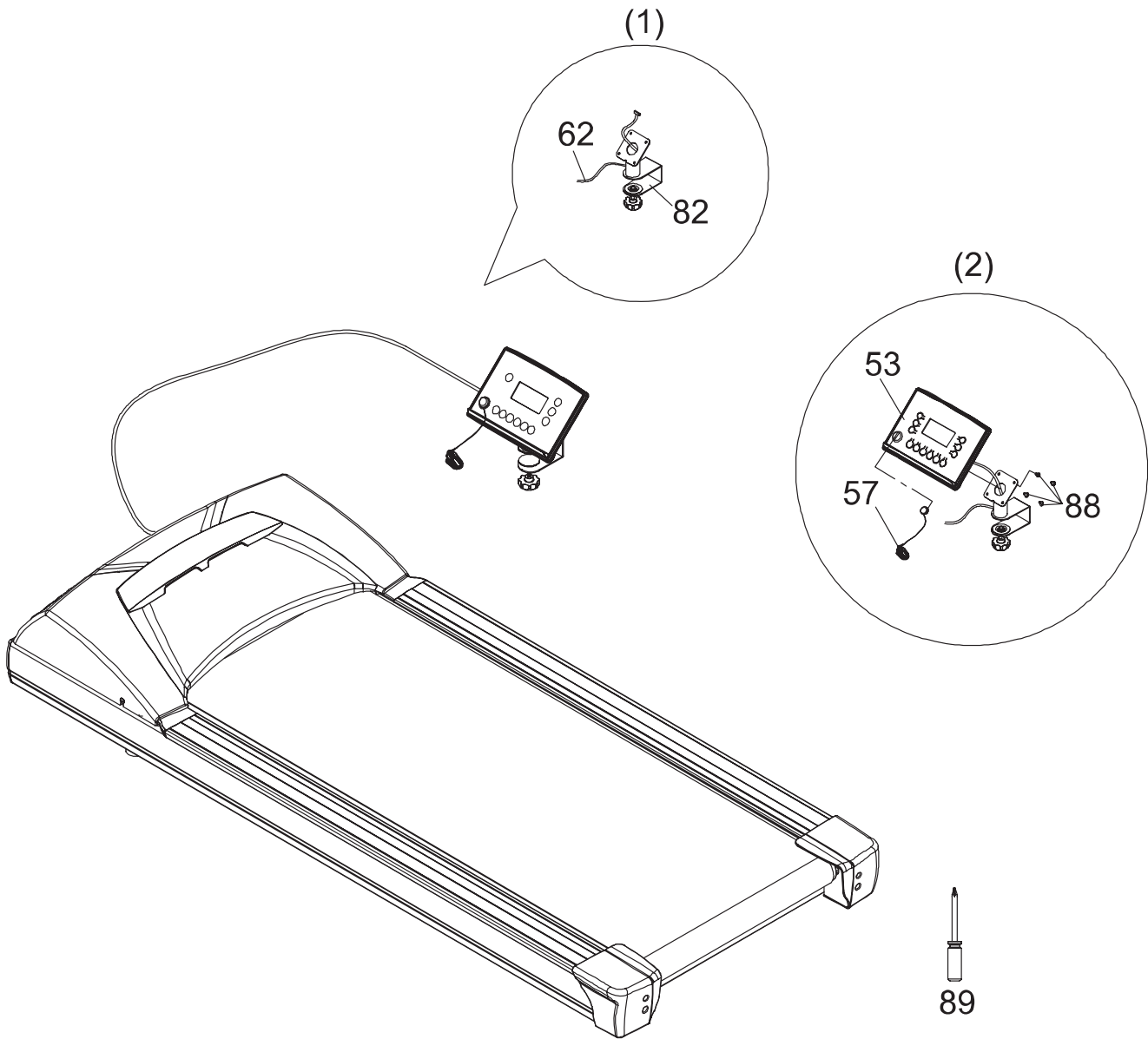
## ASSEMBLY TOOLS



**#89.** Phillips Head Screw Driver



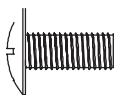
**#77.** L Allen Wrench



1

1. Through the Computer Cable (62) to the Console Bracket Assembly (82).
2. Slide Computer Cable (62), use Phillips Head Screw Driver (89) to tighten 4pcs of M5 × 12L Phillips Head Screws (88) to secure Console Assembly (53) on Console Bracket Assembly (82).

**HARDWARE**



#88. M5 × 12L  
Phillips Head Screw (4 pcs)

# OPERATION OF YOUR CONSOLE

## GETTING FAMILIAR WITH THE CONTROL PANEL



## INITIAL DISPLAY

When the power is turned on, main window will bright and show all parameter, then show the current software version, how many hours the treadmill has been in use and how many Kilometers (or Miles if the treadmill is set to imperial readings), above each data will be shown for 2 seconds in order, the treadmill has gone. The treadmill will enter idle mode and show the P0 (Manual program), which is the starting point for operation.

## WINDOW DISPLAY

**SCAN:** Each parameter will take turns to display the exercising data for 5 seconds.

**SPEED:** Displays the current running speed from 0.8 KPH ~ 5.0 KPH.

**TIME:** Accumulates total workout time from 00:00 to 99:59.

**STEP:** Accumulates total steps on training from 0 to 9999.

**DISTANCE:** Accumulates total workout distance from 0.00 to 99.99 Kilometers (99.99Miles).

**CALORIES:** Accumulates the user's calories consumption during exercise. Max. Value is 999.9 calories.

**Note:** This is only a rough guide used for comparison of different exercise sessions, which cannot be used for medical purposes.



# FUNCTION BUTTON

<b>ENTER:</b>	Press <b>ENTER</b> button to set the parameter of count down. When the belt stop running which press an hold this button for 3 seconds to reset all data which is the parameter value of accumulating. To confirmer stride length setting.
<b>START:</b>	Press <b>START</b> button to begin training.
<b>STOP:</b>	Press <b>STOP</b> button to control stop training.
<b>SPEED ↑:</b>	Press <b>FAST</b> button to increase your speed, each increment is 0.1KPH.
<b>SPEED ↓:</b>	Press <b>SLOW</b> button to decrease your speed, each decrement is 0.1KPH.
<b>STRIDE LENGTH:</b>	To set one step stride length, to adjust the range from 30 ~ 99 centimeter. (SL.)
<b>DISPLAY:</b>	To show workout information time, distance...etc..
<b>SAFETY KEY:</b>	Attach the safety key in its position to power on the computer. When safety key is pulled away from its position, the computer will shut down automatically.

## DIRECT SPEED KEYS:

3 preset buttons for direct speed: **1kph/1mph, 2kph/2mph, 3kph/3mph.**

User can press the 3buttons, mentioned above, at any time, to start treadmill and treadmill will automatically adjust to press speed.

## Quick-Start Operation (Manual):

- STEP 1:** Attach the **Safety key** to console then press any button to wake display up (**if not already on**), the screen will be turn on displaying. (Before training, you could enter the setting of count down, please see the STEP 6.)
- STEP 2:** Press the **START** button to begin belt movement, before training; the console will be a 3 seconds finalcount down and a beep sound for short time. Using the **SPEED ↑ / ↓** keys to adjust the desired speed (on console)at any time during training.
- STEP 3:** Press **ENTER** button to see the value of parameter, which includes speed, time, distance, calories or scan.If chooses the scan mode that will take turns to display all value of parameter every 5 seconds.
- STEP 4:** While training, you can press **STOP** button to stop your workout or pull safety key away from its position to shut down the computer. If you want to resume your workout, you can press **START** button again and all previous data will resume counting.
- STEP 5:** After training, to press **DISPLAY** button to display the accumulating data for speed, time, distance and calories that will be memorize during training. If you want to repeat your workout, press **START** button to begin the treadmill again.
- STEP 6:** Before training, press **ENTER** button to enter the setting of count down which include setting count down Time, whose range is from 20: 00 to 99:00, Step is from 1000 to 9999, Distance is from 1.00 to 99.00 or Calories is from 50.0 to 999.0. During setting, you could press **SPEED ↑ / ↓** to adjust the value or press **ENTER** button to enter next step whether you set or not. When you set multi-parameter, just single parameter can to count down in last setting, press **START** to execute the setting. When parameter has gone to zero, the treadmill will stop immediately, this workout summary will be showed on screen.

### ERROR MESSAGE:

1. **LS:** Treadmill doesn't receive the speed signal for 8 seconds.
2. **E1:** Memory of console malfunction or CPU accessing problem.

# GENERAL MAINTENANCE

## BELT/DECK

Your treadmill uses a very high-efficient low-friction deck. Performance is maximized when the deck is kept as clean as possible. Use a soft, damp cloth, or paper towel, wipe the edge of the belt and the area between the belt edge and the frame. Also reach as far as practical directly under the belt edge. This should be done once a month to extend belt and deck life. A mild soap and water solution along with a nylon scrub brush will clean the top of the textured belt. Allow to dry before using.

## BELT/DECK

This occurs during normal break-in or until the belt stabilizes. Sometimes the black dust from the belt will appear on the floor behind the treadmill, this is normal.

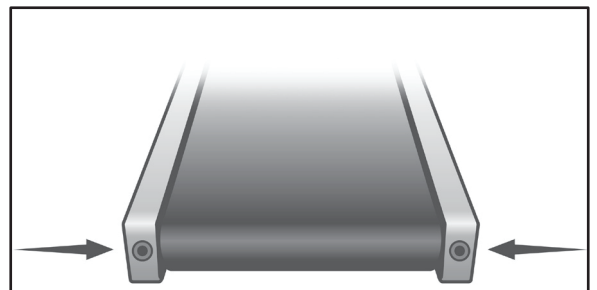
## GENERAL CLEANING

Dirt, dust, and pet hair can block air inlets and accumulate on the running belt. Please vacuum underneath your treadmill on a monthly basis to prevent excess build-up of dirt that can get sucked up and get into the inner workings under the motor cover. Once a year, you should remove the black motor hood and vacuum out dirt that may accumulate. **UNPLUG POWER CORD BEFORE THIS TASK.**

## BELT ADJUSTMENTS

Tread-belt Tension Adjustment - Belt tension is not critical for most users. It is very important though for joggers and runners in order to provide a smooth, steady running surface. Adjustment must be made from the rear roller with the 6 mm Allen wrench provided in the parts package. The adjustment bolts are located at the end of the step rails as shown in the diagram below.

Tighten the rear roller only enough to prevent slippage at the front roller. Turn the tread-belt tension adjusting bolts 1/4 turn each and inspect for proper tension by walking on the belt and making sure it is not slipping or hesitating with each step. When an adjustment is made to the belt tension, you must be sure to turn the bolts on both sides evenly or the belt could start tracking to one side instead of running in the middle of the deck.



**DO NOT OVERTIGHTEN** – Over tightening will cause belt damage and premature bearing failure. If you tighten the belt a lot and it still slips, the problem could actually be the drive belt - located under the motor cover - that connects the motor to the front roller. If that belt is loose it feels similar to the walking belt being loose. Tightening the motor belt should be done by a trained service person.

# TREADBELT TRACKING ADJUSTMENT

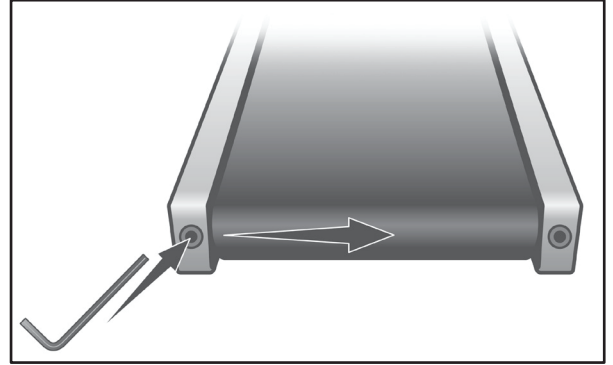
The treadmill is designed so that the tread-belt remains reasonably centered while in use. It is normal for some belts to drift near one side while in use, depending on a user's gait and if they favor one leg. But if during use the belt continues to move toward one side, adjustments are necessary.

## SETTING TREAD-BELT TRACKING

A 6 mm Allen wrench is provided for this adjustment. Make tracking adjustments on the left side bolt. Set belt speed at 3 mph ( 5 kmph). Be aware that a small adjustment can make a dramatic difference which may not be apparent right away.

If the belt is **too close to the left side**, then turn the bolt only a 1/4 turn to the right (clockwise) and wait a few minutes for the belt to adjust itself. Continue to make 1/4 turns until the belt stabilizes in the center of the running deck.

If the belt is **too close to the right side**, turn the bolt counter-clockwise. The belt may require periodic tracking adjustment depending on use and walking/running characteristics. Some users may affect tracking differently. Expect to make adjustments as required to center the tread-belt. Adjustments will become less of a maintenance concern as the belt is used. Proper belt tracking is an owner responsibility common with all treadmills.



### ATTENTION:

**DAMAGE TO THE RUNNING BELT RESULTING FROM IMPROPER TRACKING / TENSION ADJUSTMENTS IS NOT COVERED UNDER THE WARRANTY.**

# BELT/DECK LUBRICATION PROCEDURE

not lubricate with other than approved lubricant. Your treadmill comes with one tube of lubricant and extra tubes can be ordered directly from your authorized dealer. There are commercially available lube kits. The proper kit should be **silicon based, NOT paraffin wax**.

Keeping the deck lubricated at the recommended intervals ensures the longest life possible for your treadmill.

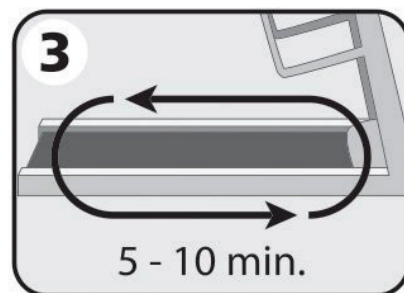
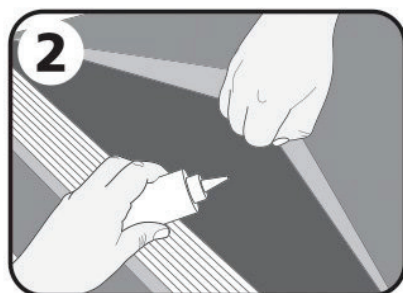
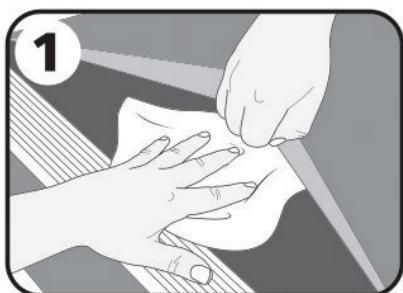
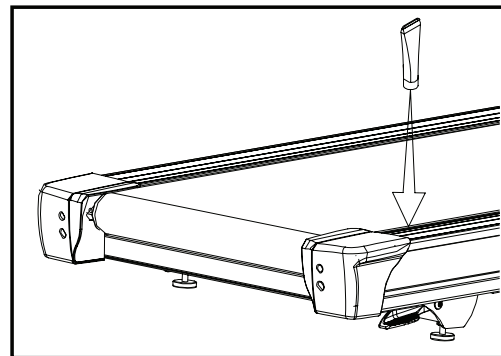
If the lubricant dries out, the friction between the belt and deck rises and places undue stress on the drive motor, drive belt and electronic motor control board, which could result in catastrophic failure of these expensive components. Failure to lubricate the deck at regular intervals may void the warranty. The belt & deck come pre-lubricated and subsequent lubrication should be performed **every 90 hours of use**.

The console has a built in lubrication reminder indicator that lights every 90 hours of use.

Use the Lubricant to lubricate the deck beneath the belt. If you can reach under the belt approximately 15 cm (6 inches) on each side, use the following procedure: **Unplug the electrical cord**. At the middle of the deck, lift up on the belt and reach under with the tube of lubricant. Squirt most of the lubricant on the deck surface. Repeat the process on the opposite side. Plug the electrical cord back into the outlet and walk on the belt at a moderate speed for five minutes.

If unable to perform the above procedure, it will be necessary to loosen the walking belt. Using the 6 mm Allen wrench supplied, loosen the two rear roller adjustment bolts, located in the rear end caps, enough to get your hand under the belt (5 –10 turns). Make sure to loosen both bolts the same amount of turns and also remember how many turns, because when finished you will need to tighten the bolts back to the point they were before.

Once the belt is loose, wipe the deck with a clean lint free cloth to remove any dirt. Apply the whole tube of lubricant onto the deck surface about 45 cm (18 inches) from the motor cover. Squeeze out the contents of the tube across the deck (parallel to the motor cover) in about a one-foot line, like toothpaste on a toothbrush. The one-foot line should be in the middle of the deck at approximately equal distance from both side edges of the belt. You want the lubricant to be applied about the spot that your feet would hit the belt as you are walking. This should be about 45 cm (18 inches) from the motor cover, but you may want to walk on the treadmill before loosening the belt to note where your feet land on the belt. If you mostly use the treadmill for running, the spot where your feet land may be different from walking. Once the lubricant is applied, tighten the rear roller bolts the same amount of turns as when you loosened them. Run the treadmill at about 5 kmph (3 mph) without walking on it for about a minute or two to make sure the belt stays in the middle of the deck. If the belt tracks to one side then follow the belt tracking instructions to remedy. Now the deck is lubricated and you should walk, not run, on the treadmill immediately for at least 5 minutes to ensure the lubricant is evenly distributed.

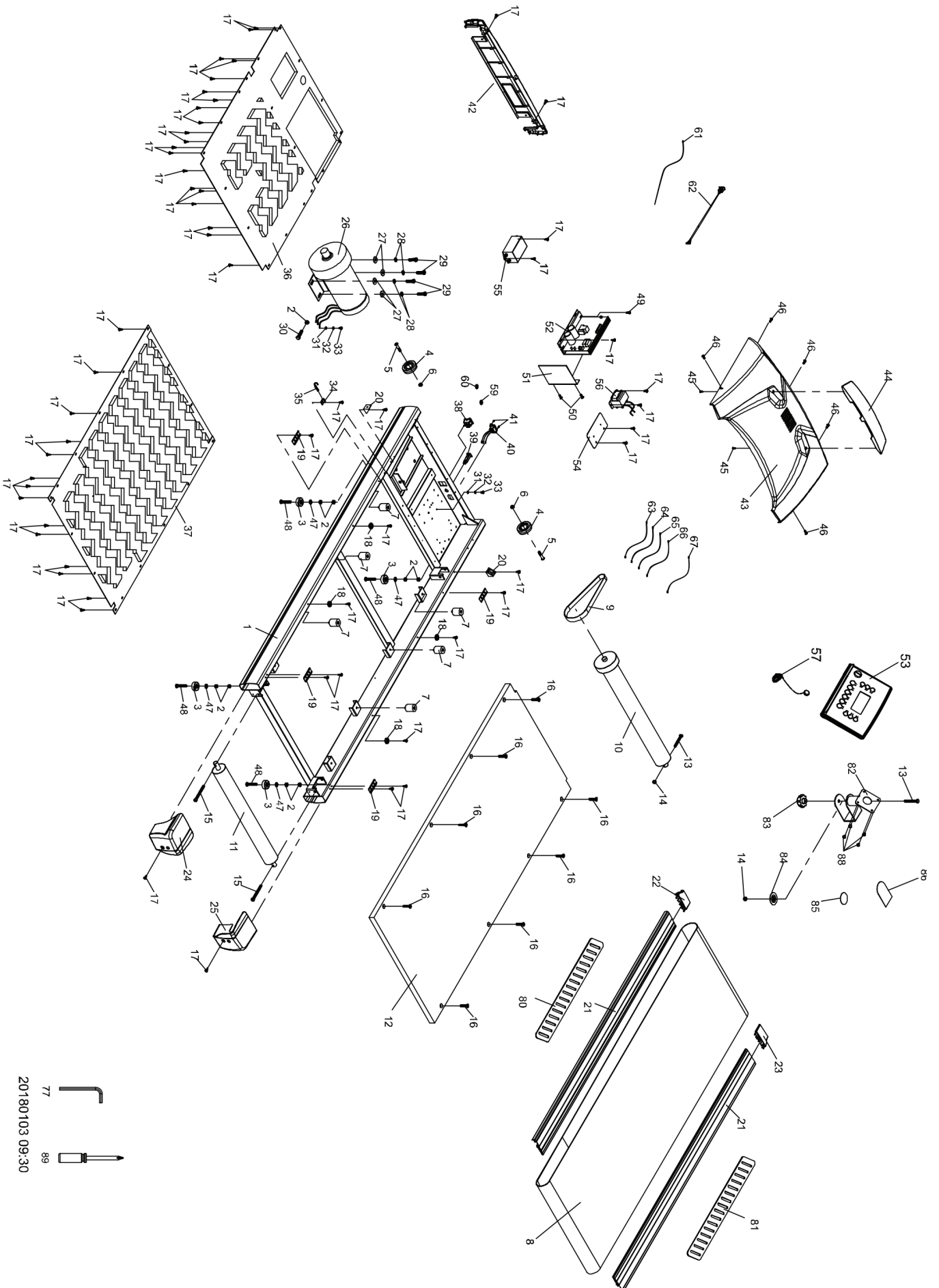



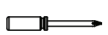
# SERVICE CHECKLIST - DIAGNOSIS GUIDE

Before contacting your dealer for aid, please review the following information. It may save you both time and expense. This list includes common problems that may not be covered under the treadmill's warranty.

PROBLÈME	SOLUTION/CAUSE
<b>Display does not light</b>	<ol style="list-style-type: none"> <li>1. Tether cord not in position.</li> <li>2. Circuit breaker on front grill tripped. Push circuit breaker in until it locks.</li> <li>3. Plug is disconnected. Make sure plug is firmly pushed into AC household wall outlet.</li> <li>4. Household circuit breaker may be tripped.</li> <li>5. Treadmill defect. Contact your dealer.</li> </ol>
<b>Tread-belt does not stay centered Treadmill belt hesitates when walked/ run on</b>	<p>The user may be walking while favoring or putting more weight on either the left or right foot. If this walking pattern is natural, track the belt slightly off-center to the side opposite from the belt movement. <b>See General Maintenance section on Tread-belt Tension.</b> Adjust as necessary.</p>
<b>Motor is not responsive after pressing start</b>	<ol style="list-style-type: none"> <li>1. If the belt moves, but stops after a short time and the display shows "LS", run calibration or check the speed sensor.</li> <li>2. If you press start and the belt never moves, then the display shows LS, contact service.</li> </ol>
<b>Treadmill will only achieve approximately 5 kmph (3 mph) but shows higher speed on display</b>	<p>This indicates motor should be receiving power to operate. Low AC voltage to treadmill. Do not use an extension cord. If an extension cord is required it should be as short as possible and heavy duty 16 gauge minimum. Low household voltage. Contact an electrician or your dealer. A minimum of 220 volt ac is required.</p>
<b>Tread-belt stops quickly/suddenly when tether cord is pulled</b>	<p>High belt/deck friction. <b>See General Maintenance section on lubrication.</b></p>
<b>Treadmill trips on board 10 amp circuit</b>	<p>High belt/deck friction. <b>See General Maintenance</b></p>
<b>Computer shuts off when console is touched (on a cold day) while walking/ running</b>	<p>Treadmill may not be grounded. Static electricity is "crashing" the computer. <b>Refer to Grounding Instructions.</b></p>
<b>House circuit breaker trips, but not the treadmill circuit breaker</b>	<p>Need to replace the house breaker with a "High Inrush current" type breaker.</p>

# TREADMILL EXPLODED VIEW DIAGRAM



77   
 89   
 20180103 09:30

## TREADMILL PARTS LIST

Dwg #	Part description	QTY
1	Main Frame	1
2	3/8" × 7T_Nut	9
3	Ø35 × 10m/m_Rubber Foot	4
4	Transportation Wheel, Ø54	2
5	5/16" × UNC18 × 42L_Button Head Socket Bolt	2
6	5/16 × 6T_Nyloc Nut	2
7	Cushion	6
8	Running Belt	1
9	Drive Belt	1
10	Front Roller W/Pulley	1
11	Rear Roller	1
12	Running Deck	1
13	M8 × 60m/m_Hex Head Bolt	2
14	M8 × 7T_Nyloc Nut	2
15	M8 × 80m/m_Socket Head Cap Bolt	2
16	M8 × 35m/m_Flat Head Countersink Bolt	8
17	Ø5 × 16L_Tapping Screw	58
18	Ø6 × Ø23 × Ø13 × 5.5T × 3T_Nylon Dished	4
19	Ø5.5 × 27 × 60 × 1.5T × 3.5H_Concave Washer	4
20	Motor Cover Anchor(D)	2
21	Aluminum Foot Rail	2
22	Foot Rail Cap (L)	1
23	Foot Rail Cap (R)	1
24	Rear Adjustment Base (L)	1
25	Rear Adjustment Base (R)	1
26	Drive Motor	1
27	Ø3/8" × Ø25 × 2.0T_Flat Washer	4
28	Ø10 × 2.0T_Split Washer	4
29	3/8" × 1-1/4" _Hex Head Bolt	4
30	3/8" × 1-1/2" _Hex Head Bolt	1
31	M5_Star Washer	2
32	Ø5 × 1.5T_Split Washer	2
33	M5 × 10m/m_Phillips Head Screw	2
34	Sensor Rack	1
35	1200m/m_Sensor W/Cable	1
36	Bottom Frame Cover	1
37	Top Frame Cover	1
38	On/Off Switch	1
39	Breaker	1
40	Power Socket	1
41	3 × 10m/m_Sheet Metal Screw	2
42	Front Motor Cover	1
43	Motor Top Cover	1
44	Top Motor Cover Plate	1
45	3.5 × 12m/m_Sheet Metal Screw	2

<b>Dwg #</b>	<b>Part description</b>	<b>QTY</b>
46	5 × 16m/m_Tapping Screw	5
47	Ø3/8" × Ø19 × 1.5T_Flat Washer	4
48	3/8" × 2" _Flat Head Socket Bolt	4
49	5 × 19m/m_Tapping Screw	1
50	3 × 8m/m_Sheet Metal Screw	2
51	Controller Back Plate	1
52	Generator/Brake Controller	1
53	Console Assembly	1
54	Bottom Connecting	1
55	Filter	1
56	Generator/Brake Controller	1
57	Safety Key	1
59	T31 × 16 × 19m/m_Ferrite Core	1
60	Ø31 × 18 × 13L_Ferrite Core	1
61	Power Cord	1
62	2500m/m_Computer Cable	1
63	70m/m_Connecting Wire (Black)	1
64	100m/m_Connecting Wire (White)	1
65	100m/m_Connecting Wire (Black)	1
66	200m/m_Connecting Wire (White)	1
67	200m/m_Connecting Wire (Black)	1
77	L Allen Wrench	1
80	Non-Slip Rubber(L)	1
81	Non-Slip Rubber(R)	1
82	Console Bracket Assembly	1
83	Brake Tension Knob	1
84	Ø9 × Ø49 × 1.5T_Bushing washer	1
85	Ø49 × 1T_Foam Stop, Handlebar Eye Tube	1
86	1T × 60 × 107L_Foam Stop, Handlebar Eye Tube	1
88	M5 × 12m/m_Phillips Head Screw	4
89	Phillips Head Screw Driver	1





Stadsheide 3 - 3500 Hasselt - Belgium  
+32 11 76 12 70 - [info@evowalkdesk.com](mailto:info@evowalkdesk.com)  
[www.evowalkdesk.com](http://www.evowalkdesk.com)