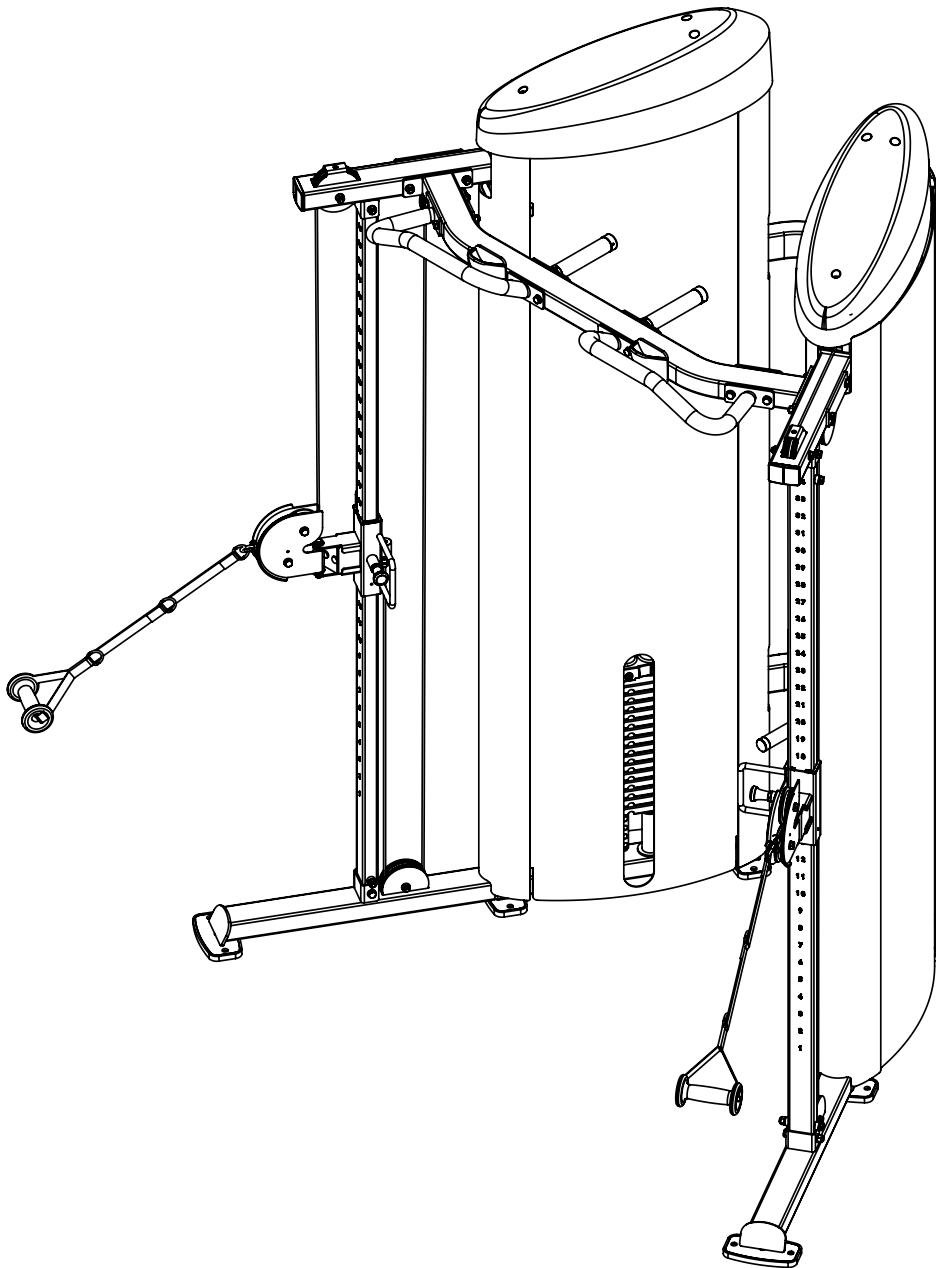


Body-Solid®

Built for Life



S2FT

Assembly & Instructions
OWNER'S & MANUAL

v. S2FT-112216

Warning, Safety & Maintenance

Be sure that all users carefully read and understand all warning, safety and maintenance labels on the machine before each use. Failure to do so may result in death or serious injury.

It is imperative that you retain this Owner's Manual and be sure all warning labels are legible and intact. Replacement Owner's Manuals and warning labels are available from your local Body-Solid dealer.

If you have any questions about the operation, set up or maintenance of this machine please call our customer service department at 1 (800) 556-3113.

THERE IS A RISK ASSUMED BY INDIVIDUALS WHO USE THIS TYPE OF EQUIPMENT. TO MINIMIZE RISK, YOU MUST FOLLOW THESE RULES:

1. Inspect equipment before each workout. Check that all nuts, bolts, screws and pop pins are in place and fully tightened. Also, before use, check cables for signs of wear. Replace all worn parts immediately. Never use machine if any parts are damaged or missing. **FAILURE TO FOLLOW THESE RULES MAY RESULT IN SERIOUS INJURY.**
2. Keep clear of the cables and all moving parts when the machine is in use.
3. Always make sure all Snap Links are closed when doing any cable/pulley/strap exercises.
4. Exercise with care. Perform your exercises at a smooth moderate pace; never perform jerky or uncoordinated movements that may cause injury.
5. It is recommended that you should workout with a training partner.
6. Do not allow children or minors to play on or around this equipment.
7. If unsure of proper use of equipment, call your local Body-Solid distributor or the Body-Solid customer service department at 1-800-556-3113.
8. **WARNING:** Consult your physician before starting your exercise program. For your own safety, do not begin any exercise program without proper instruction. RAL8-6-03 WC-54

MAINTENANCE SCHEDULE		D A I L Y	W E E K L Y
Cables:	Check tension, end fittings, and coating	✓	
	Check that locking nut at weight stack is tight		✓
Upholstery:	Wipe down and dry	✓	✓
	Clean and condition		✓
Frame:	Wipe down and dry	✓	✓
	Polish / Wax		✓
Chrome:	Wipe down and dry	✓	✓
	Polish / Lubricate		✓
Nuts / Bolts / Fasteners:	Tighten and / or adjust as needed		✓
Guide Rods:	Lubricate and clean		✓
Linear Rods:	Lubricate and clean		✓
Seat Sleeves:	Lubricate and clean		✓
Adjustments / Locking Pins / Tightening Knobs			✓
Weight Stack Pins			✓
Warning Instruction Labels			✓
Springs / Pop Pins		✓	
Anti Skid Surfaces			✓
Hand Grips / Rollers			✓

For Body-Solid Customer Service
Call 1-800-556-3113
#MSSTKR0603

WARNING

Safety and Maintenance of Cables

IMPORTANT: Cables are wear items. It is your responsibility to prevent unexpected breakage. **Cable inspection should be performed daily.** Inspect all cables, the nylon coating on all cables, and the area near the fitting at each end of each cable. **Replace any damaged or worn cable immediately.** Do not allow the machine to be used until damaged or worn cables are replaced. Using or allowing a machine to be used with a suspect cable can result in serious injury. See Owner's Manual for more information.

For Body-Solid Customer Service
Call 1-800-556-3113



Table of Contents

- SAFETY INSTRUCTIONS..... PAGE 4
- PREPARATION..... PAGE 5
- HARDWARE LIST..... PAGE 6
- HARDWARE ILLUSTRATION..... PAGE 8
- PART / LIST ILLUSTRATION..... PAGE 13
- ASSEMBLY INSTRUCTIONS..... PAGE 22
- EXPLODED VIEW..... PAGE 36
- CONTACT PAGE..... PAGE 38

Important Safety Instructions

Before beginning any fitness program, you should obtain a complete physical examination from your physician.

*Il est conseillé de subir un examen médical complet avant d'entreprendre tout programme d'exercice.
Si vous avez des étourdissements ou des faiblesses, arrêtez les exercices immédiatement.*

Antes de comenzar cualquier programa de ejercicios, deberías tener un examen físico con su doctor.

When using exercise equipment, you should always take basic precautions, including the following:

- Read all instructions before using the **S2FT**. These instructions are written to ensure your safety and to protect the unit.
- **Do not remove any safety labels from the machine.**
- Do not allow children on or near the equipment.
- Use the equipment only for its intended purpose as described in this guide. Do not use accessory attachments that are not recommended by the manufacturer. Such attachments might cause injuries.
- Wear proper exercise clothing and shoes for your workout, no loose clothing.
- Keep hands, limbs, loose clothing, and long hair well out of the way of all moving parts.
- Use care when getting on or off the unit.
- Do not overexert yourself or work to exhaustion.
- If you feel any pain or abnormal symptoms, stop your workout immediately and consult your physician.
- Never operate unit when it has been dropped or damaged. Return the equipment to a service center for examination and repair.
- Never drop or insert objects into any opening in the equipment.
- Always check the unit and its cables before each use. Make sure that all fasteners and cables are secure and in good working condition.
- Do not use the equipment outdoors or near water.

Personal Safety During Assembly

- Before beginning assembly, please take the time to read the instructions thoroughly.
- Read each step in the assembly instructions and follow the steps in sequence. Do not skip ahead. If you skip ahead, you may learn later that you have to disassemble components and that you may have damaged the equipment.
- Assemble and operate the **S2FT** on a solid, level surface. Locate the unit a few feet from the walls or furniture to provide easy access.

The **S2FT** is designed for your enjoyment. By following these precautions and using common sense, you will have many safe and pleasurable hours of healthful exercise with your Body-Solid **Pro-Club Functional Trainer**.

After assembly, you should check all functions to ensure correct operation. If you experience problems, first recheck the assembly instructions to locate any possible errors made during assembly. If you are unable to correct the problem, call the dealer from whom you purchased the machine or call **1-800-556-3113** for the dealer nearest you.

Obtaining Service

Please use this Owner's Manual to make sure that all parts have been included in your shipment. When ordering parts, you must use the part number and description from this Owner's Manual. Use only Body-Solid replacement parts when servicing this machine. Failure to do so will void your warranty and could result in personal injury.

For information about product operation or service, check out the official Body-Solid website at www.bodysolid.com or contact an authorized Body-Solid dealer or a Body-Solid factory-authorized service company or contact Body-Solid customer service at one of the following:

Toll Free: 1-800-556-3113
Phone: 1-708-427-3555
Fax: 1-708-427-3556
Hours: M-F 8:30-5:00 CST
E-Mail: service@bodysolid.com

**Or write to: Body-Solid, Inc.
Service Department
1900 S. Des Plaines Ave.
Forest Park, IL 60130 USA**

Retain this Owner's Manual for future reference. If you need to order replacement parts please be prepared to provide the following information when contacting us so that we can assist you better.

1. Model Number
2. Place of Purchase
3. Serial Number (S/N)
4. Part # and Description

Preparation

Thank you for purchasing the **S2FT**. This machine is part of the Body-Solid line of quality strength training machines, which lets you target specific muscle groups to achieve better muscle tone and overall body conditioning. To maximize your use of the equipment please study this Owner's Manual thoroughly.

Required Tools

The basic tools that you must obtain before assembling the **S2FT** include but are not limited to:

- Metric Allen Key Set
- Standard Allen Key Set
- Standard Wrench Set
- Metric Wrench Set
- Adjustable Wrench
- Screwdriver (standard and/or phillips)

Installation Requirements

Follow these installation requirements when assembling the **S2FT**:

Set up the **S2FT** on a solid, flat surface. A smooth, flat surface under the machine helps keep it level. A level machine has fewer malfunctions.

Provide ample space around the machine. Open space around the machine allows for easier access.

Insert all bolts in the same direction. For aesthetic purposes, insert all bolts in the same direction unless specified (in text or illustrations) to do otherwise.

Leave room for adjustments. Tighten fasteners such as bolts, nuts, and screws so the unit is stable, but leave room for adjustments. Do not fully tighten fasteners until instructed in the assembly steps to do so.

Fill out and mail the warranty card.

Assembly Tips

Read all "Notes" on each page before beginning each step.

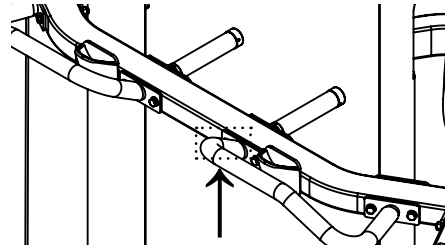
While you may be able to assemble the **S2FT** using the illustrations only, important safety notes and other tips are included in the text.

Some pieces may have extra holes that you will not use. Use only those holes indicated in the instructions and illustrations.

NOTE: With so many assembled parts, proper alignment and adjustment is critical. While tightening the nuts and bolts, be sure to leave room for adjustments.

NOTE: The bottles that are marked "Poison" is your touch up paint. Keep away from children.

CAUTION: Obtain assistance! If you feel like you can't assemble the **S2FT** by yourself then do not attempt to do so as this could result in injury. Review the installation requirements before proceeding with the following steps.



Your S/N# can
be found here

Body-Solid continually seeks ways to improve the performance, specifications and product manuals in order to ensure that only superior products are released from our factories. Please take the time to carefully read through this manual thoroughly. Instructions contained in this document are not intended to cover all details or variations possible with Body-Solid equipment, or to cover every contingency that may be met in conjunction with installation, operation, maintenance or troubleshooting of the equipment. Even though we have prepared this manual with extreme care, neither the publisher nor the author can accept responsibility for any errors in, or omission from, the information given. Should additional information be required, or should situations arise that are not covered by this manual, the matter should be directed to your local Body-Solid representative, or the Service Department at Body-Solid Inc. in Forest Park, Illinois.

S 2 F T H a r d w a r e L i s t

Part#	Size	Description	Quantity
1	M10X105mm	HEX HEAD BOLT	20 PCS.
2	M10X100mm	HEX HEAD BOLT	4 PCS.
3	M10X95mm	HEX HEAD BOLT	2 PCS.
4	M10X90mm	HEX HEAD BOLT	4 PCS.
5	M10X55mm	HEX HEAD BOLT	4 PCS.
6	M10X50mm	HEX HEAD BOLT	14 PCS.
7	M10X30mm	BUTTON HEAD CAP SCREW	4 PCS.
8	M10X25mm	SOCKET HEAD CAP SCREW	8 PCS.
9	M8X100mm	HEX HEAD BOLT	2 PCS.
10	M8X25mm	BUTTON HEAD CAP SCREW	8 PCS.
11	M6X16mm	PHILLIPS HEAD SCREW	6 PCS.
12	M8X8mm	SET SCREW	8 PCS.
13	3/8"X2.0"	SOCKET HEAD CAP SCREW	2 PCS.
14	10-32X1/8"	SET SCREW	8 PCS.
15	5/16"X1.25"	SHOULDER BOLT	2 PCS.
16	M5X20mm	BUTTON HEAD CAP SCREW	2 PCS.

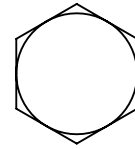
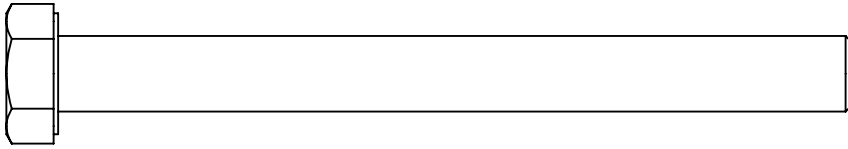
S 2 F T Hardware List

Part#	Size	Description	Quantity
40	M10	NYLON LOCK NUT	48 PCS.
41	M8	NYLON LOCK NUT	10 PCS.
42	M5	NYLON LOCK NUT	4 PCS.
43	5/16"-18	NYLON LOCK NUT	1 PCS.
44	1/2"	FLANGE HEX NUT	6 PCS.
50	M10	FLAT WASHER	96 PCS.
51	M8	FLAT WASHER	20 PCS.
52	M6	FLAT WASHER	6 PCS.
53	M5	FLAT WASHER	2 PCS.
54	3/8"	LOCK WASHER	2 PCS.
55	M10	LOCK WASHER	2 PCS.
56	M10	LARGE FLAT WASHER	8 PCS.

S 2 F T Hardware Illustration

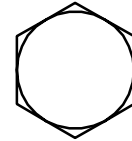
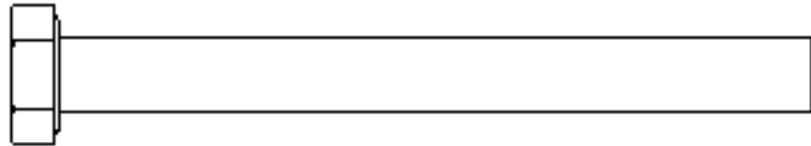
Part #1 HEX HEAD BOLT M10X105mm

QTY. 20



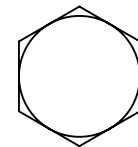
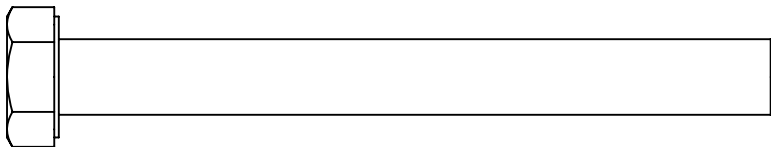
Part #2 HEX HEAD BOLT M10X100mm

QTY. 4



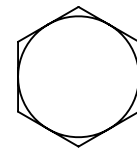
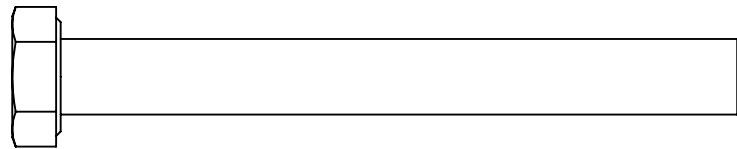
Part #3 HEX HEAD BOLT M10X95mm

QTY. 2



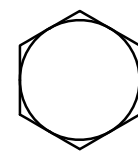
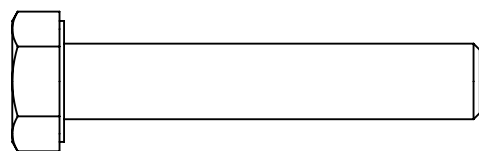
Part #4 HEX HEAD BOLT M10X90mm

QTY. 4



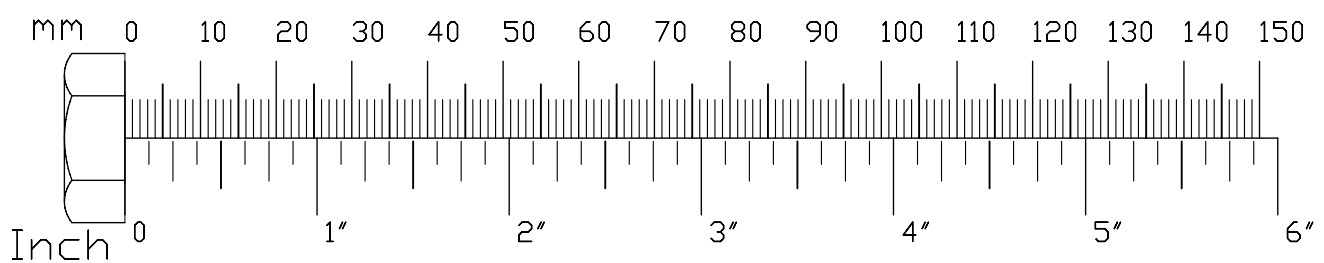
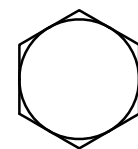
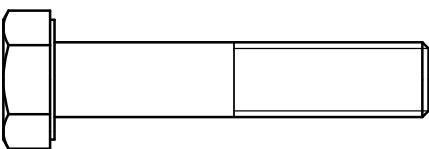
Part #5 HEX HEAD BOLT M10X55mm

QTY. 4



Part #6 HEX HEAD BOLT M10X50mm

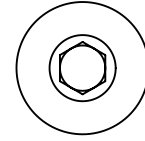
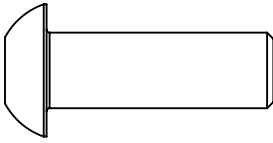
QTY. 14



S 2 F T Hardware Illustration

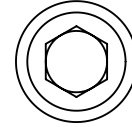
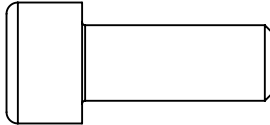
Part #7 BUTTON HEAD CAP SCREW M10X30mm

QTY. 7



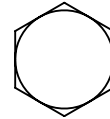
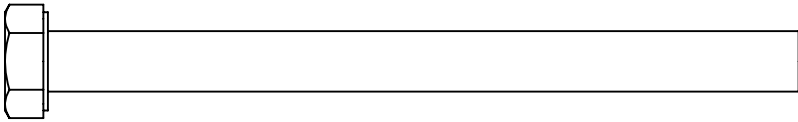
Part #8 SOCKET HEAD CAP SCREW M10X25mm

QTY. 8



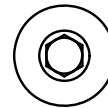
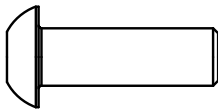
Part #9 HEX HEAD BOLT M8X100mm

QTY. 2



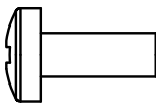
Part #10 BUTTON HEAD CAP SCREW M8X25mm

QTY. 8



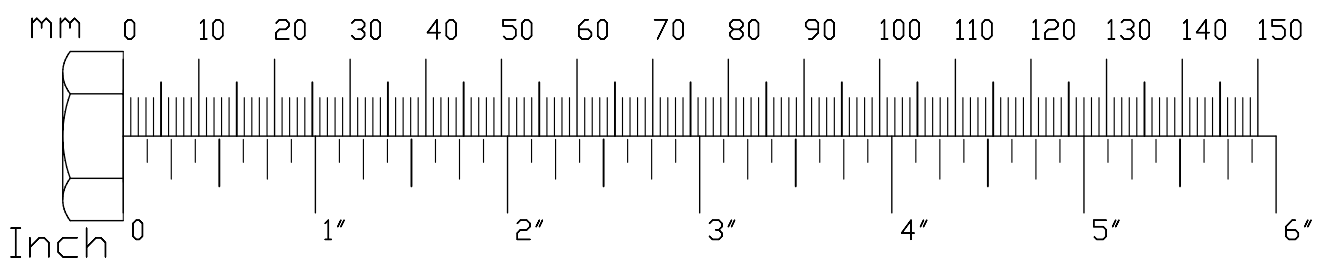
Part #11 PHILLIPS HEAD SCREW M6X16mm

QTY. 6



Part #12 SET SCREW M8X8mm

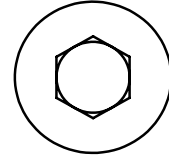
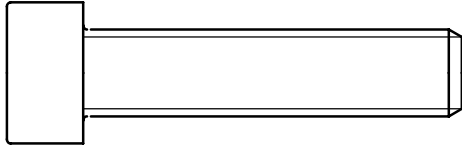
QTY. 4



S 2 F T Hardware Illustration

Part #13 SOCKET HEAD CAP SCREW 3/8"X2.0"

QTY. 1



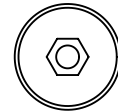
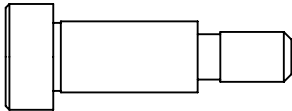
Part #14 SET SCREW 10-32X1/8"

QTY. 8



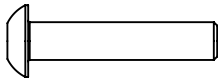
Part #15 SHOULDER BOLT 5/16"X1.25"

QTY. 1



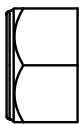
Part #16 BUTTON HEAD CAP SCREW M5X20mm

QTY. 2



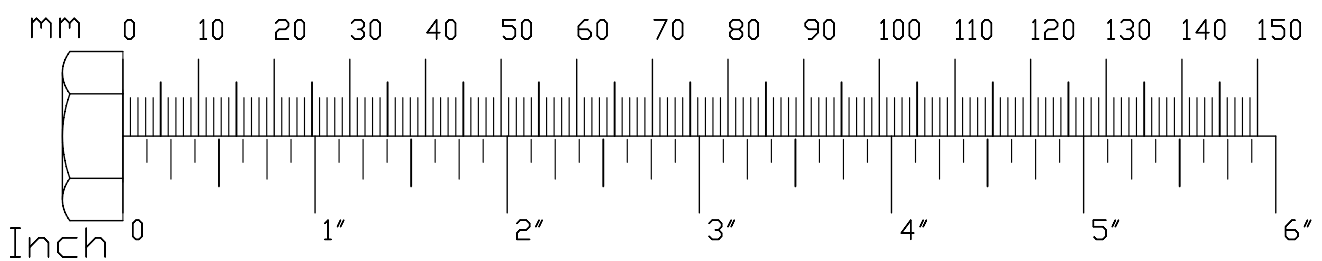
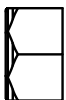
Part #40 NYLON LOCK NUT M10

QTY. 48



Part #41 NYLON LOCK NUT M8

QTY. 10



S 2 F T Hardware Illustration

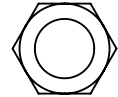
Part #42 NYLON LOCK NUT M5

QTY. 4



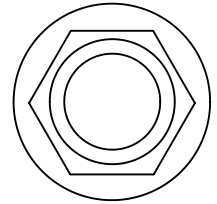
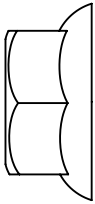
Part #43 NYLON LOCK NUT 5/16"

QTY. 1



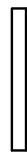
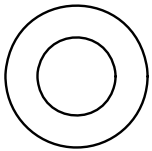
Part #44 FLANGE NUT 1/2"

QTY. 6



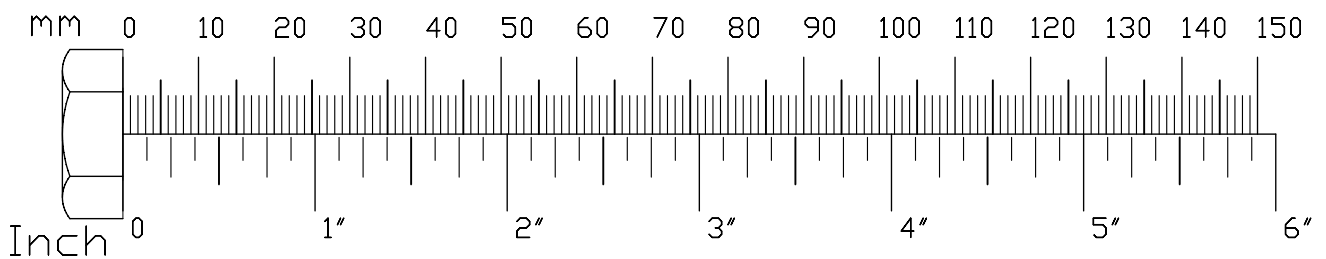
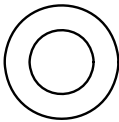
Part #50 FLAT WASHER M10

QTY. 96



Part #51 FLAT WASHER M8

QTY. 20



S 2 F T Hardware Illustration

Part #52 FLAT WASHER M6

QTY. 6



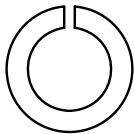
Part #53 FLAT WASHER M5

QTY. 2



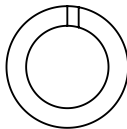
Part #54 LOCK WASHER 3/8"

QTY. 2



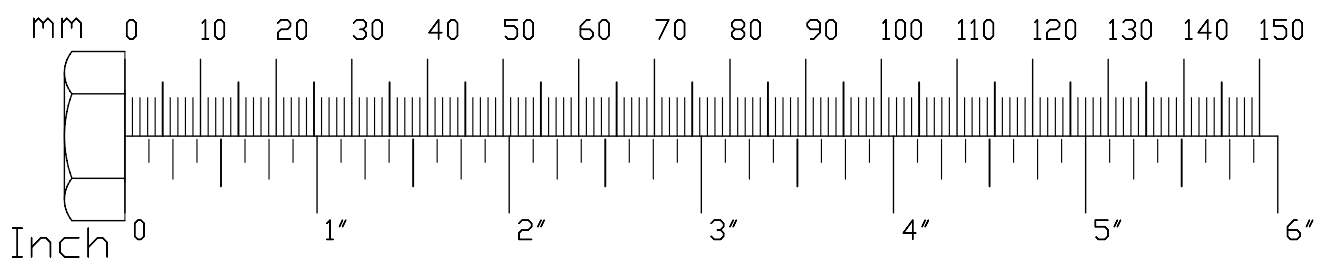
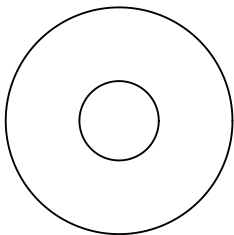
Part #55 LOCK WASHER M10

QTY. 2



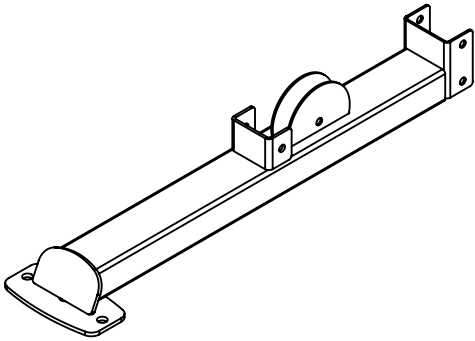
Part #56 LARGE FLAT WASHER M10

QTY. 8

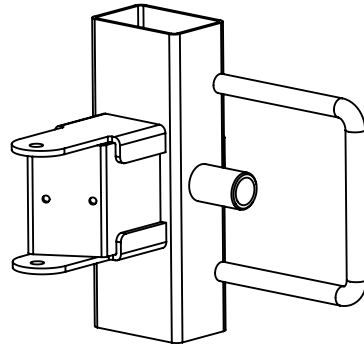


S2FT Parts List/Illustration

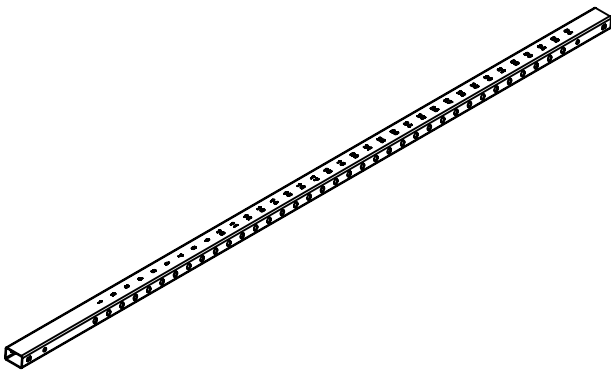
PART A - BASE FRAME, 2PCS.



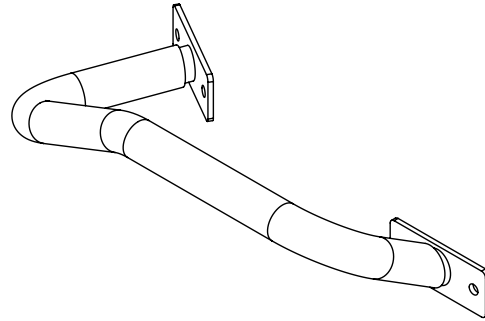
PART E - RIGHT SWIVEL ADJUSTER, 1PC.



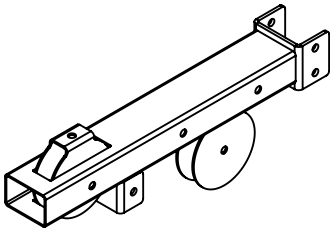
PART B - RIGHT GUIDE POST, 1PC.



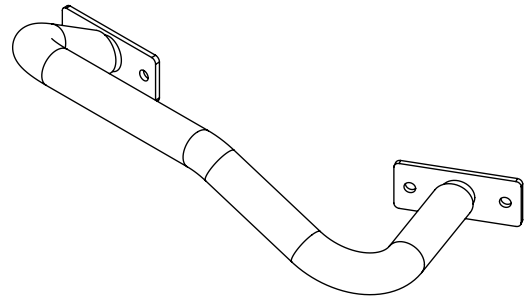
PART F - RIGHT CHIN UP HANDLE, 1PC.



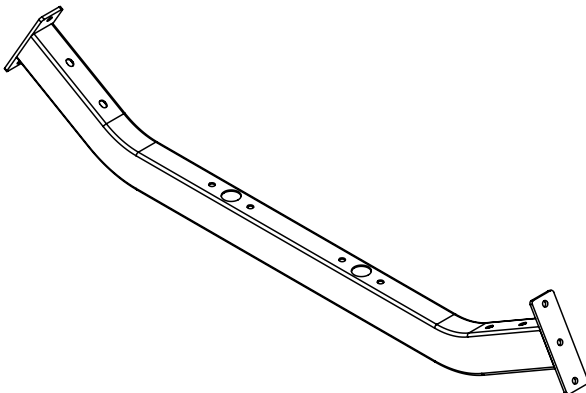
PART C - TOP SIDE FRAME, 2PCS.



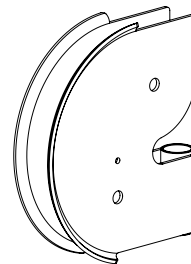
PART G - LEFT CHIN UP HANDLE, 1PCS.



PART D - CENTER TOP FRAME, 1PC.

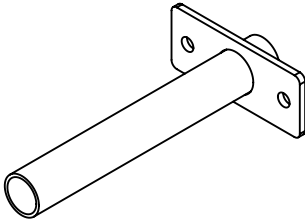


PART H - PULLEY HOLDER, 2PCS.

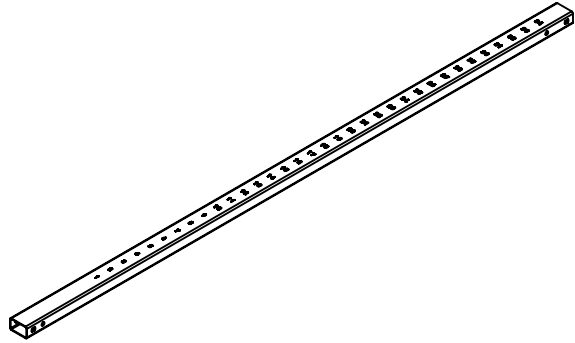


S2FT Parts List/Illustration

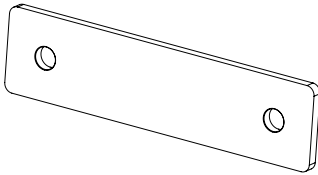
PART J - PULL UP HANDLE, 2PCS.



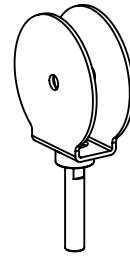
PART N - LEFT GUIDE POST , 1PC.



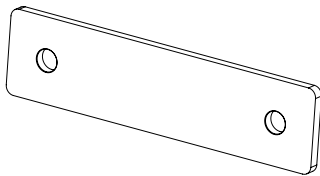
**PART K - STEEL PLATE, 2PCS.
120mm x 50mm x 5mm**



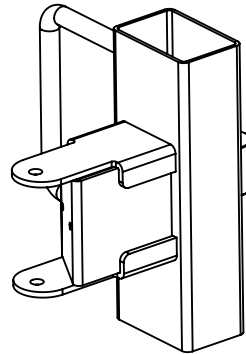
PART P - SWIVEL PULLEY BRACKET, 2PCS.



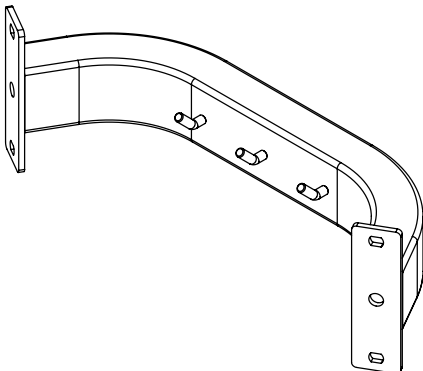
**PART L - STEEL PLATE 2PCS.
170mm x 50mm x 5mm**



PART Q - LEFT SWIVEL ADJUSTER, 1PC.

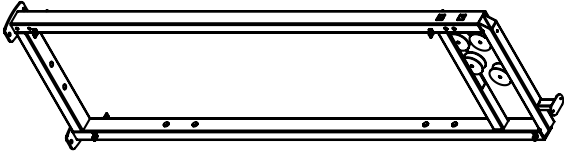


PART M - CENTER FRAME, 2PCS.

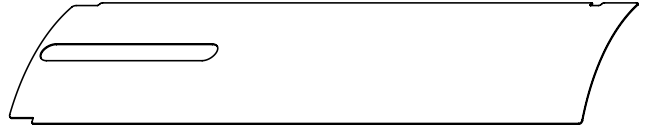


S2FT Parts List/Illustration

PART WA - WEIGHT STACK FRAME, 2PCS.



PART WE - RIGHT FRONT SHROUD, 1PC.



PART WB - SHORT SIDE SHROUD, 2PCS.



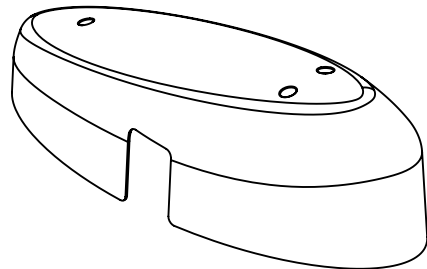
PART WF - RIGHT REAR SHROUD, 1PC.



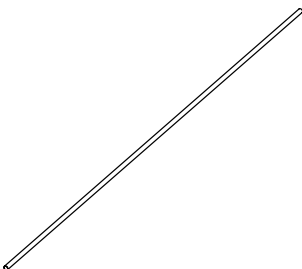
PART WC - LONG SIDE SHROUD, 2PCS.



PART WG - TOP SHROUD, 2PCS.



PART WD - CHROME GUIDE ROD, 4PCS.

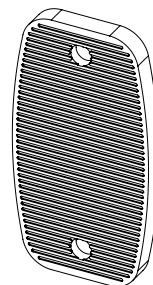


S2FT Parts List/Illustration

PART WH - LEFT FRONT SHROUD, 1PC.



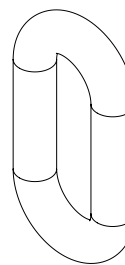
PART #60 - FOOT PAD, 8PCS.



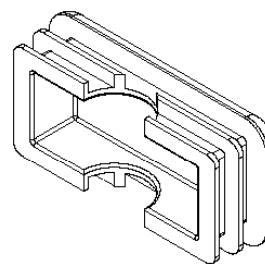
PART WJ - LEFT REAR SHROUD, 1PCS.



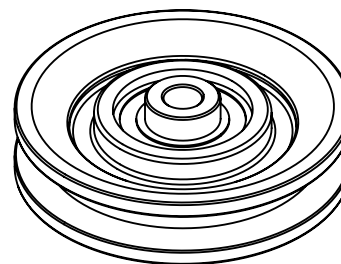
PART #61 - CHAIN LINK, 2PCS.



**PART #62 - PLASTIC END CAP, 2PCS.
75x50mm**

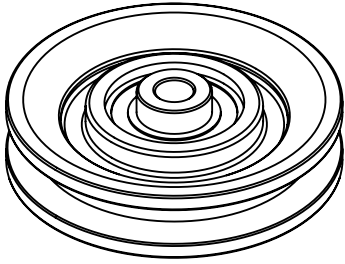


PART #63 - LARGE PULLEY, 6PCS.

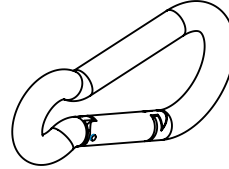


S2FT Parts List/Illustration

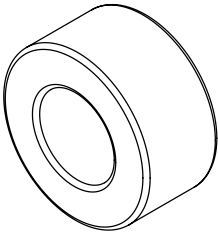
PART #64 - SMALL PULLEY, 14PCS.



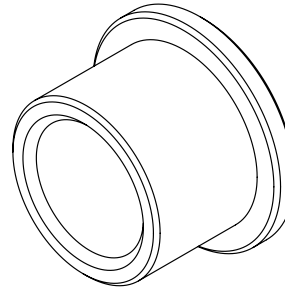
PART #68 - SNAP LINK, 2PCS.



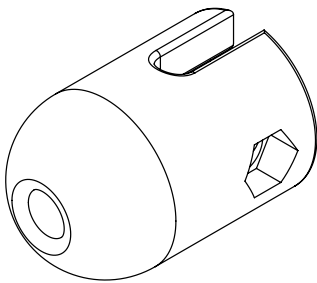
PART #65 - RUBBER SLEEVE, 8PCS.



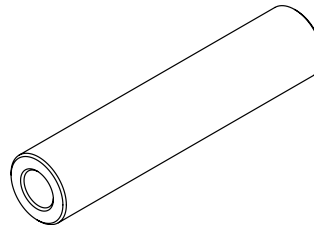
**PART #69 - BUSHING, 4PCS.
Ø28xØ22x18mm**



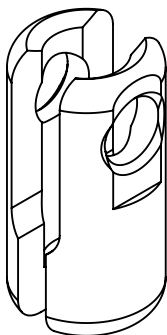
PART #66 - CABLE BUMPBER, 2PCS.



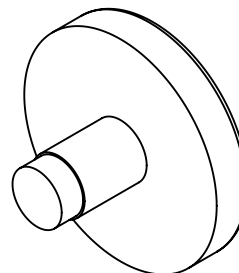
**PART #70 - STEEL TUBE, 2PCS.
Ø16xØ8.5x75mm**



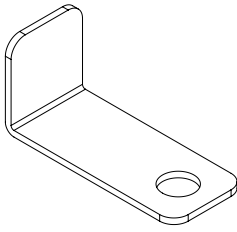
PART #67 - CABLE CONNECTOR, 2PCS.



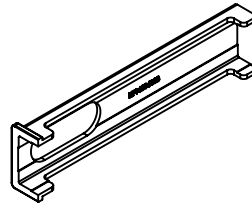
PART #71 - PLASTIC STOPPER, 4PCS.



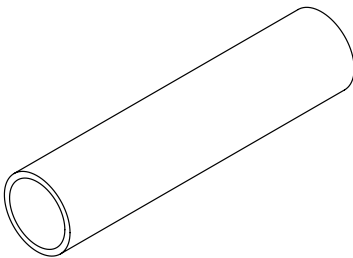
PART #72 - STEEL BRACKET, 4PCS.



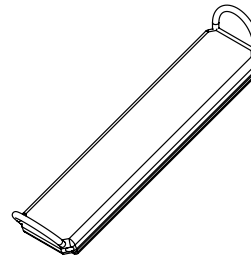
PART #76 - PLASTIC BUSHING, 4PCS.



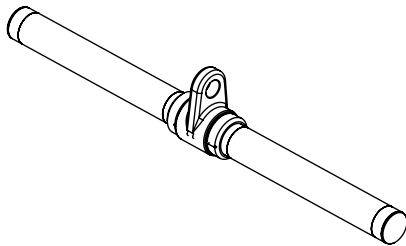
PART #73 - HANDLE GRIP, 1PC.



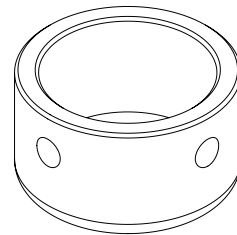
PART #77 - ANKLE CUFF, 1PCS.



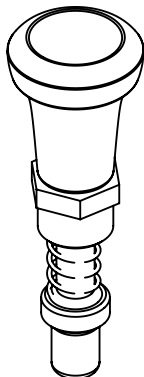
PART #74 - LOW ROW BAR, 1PC.



**PART #79 - HANDLE END CAP, 2PCS.
Ø39.5xØ32.5x19mm**

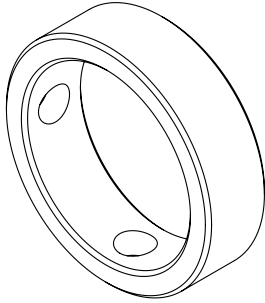


PART #75 - POP PIN, 2PCS.

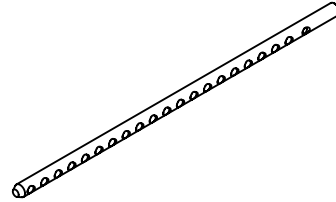


S2FT Parts List/Illustration

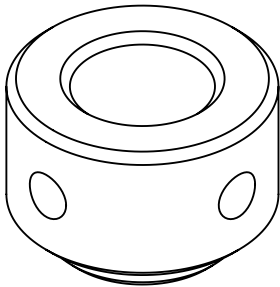
PART #80 - HANDLE END RING, 2PCS.
Ø39.5xØ32.5x9.5mm



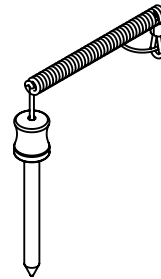
PART #84 - SELECTOR ROD, 2PCS.



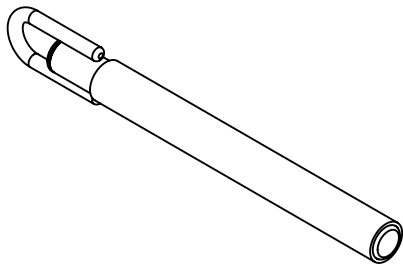
PART #81 - SHAFT COLLAR, 4PCS.



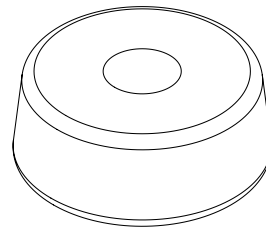
PART #85 - SELECTOR PIN, 2PCS.



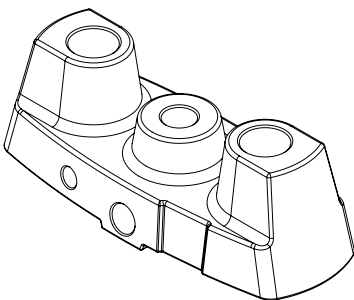
PART #82 - SHORT BAR, 1PC.



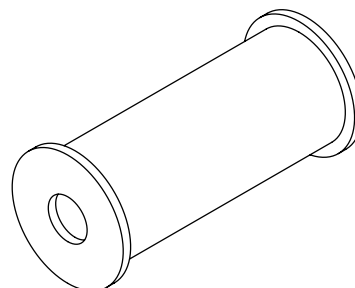
PART #86 - RUBBER DONUT, 4PCS.



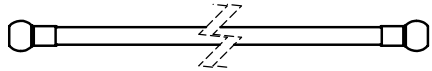
PART #83 - TOP PLATE, 2PCS.



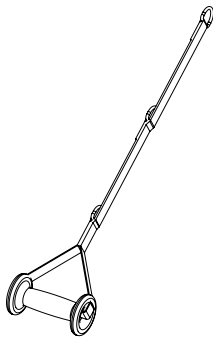
PART #87 - WEIGHT RISER, 4PCS.



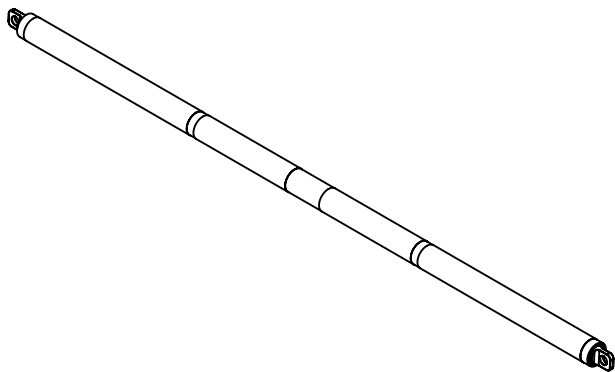
PART #88 - CABLE, 2PCS.



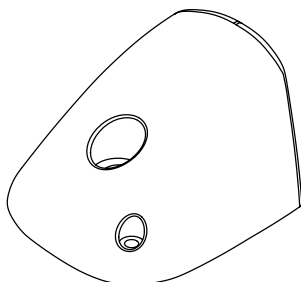
PART #89 - STRAP HANDLE, 2PCS.



PART #90 - LONG BAR, 1PC



PART #91 - ROCK CLIMBING GRIP, 2PCS.



PCL Badge Location



STEP

1

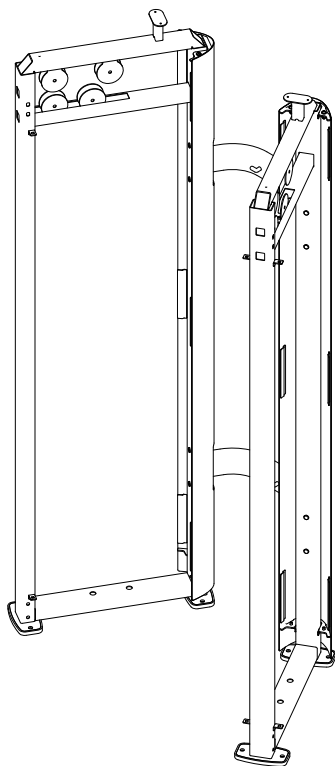
Be careful to assemble all components in the sequence they are presented.

NOTE:

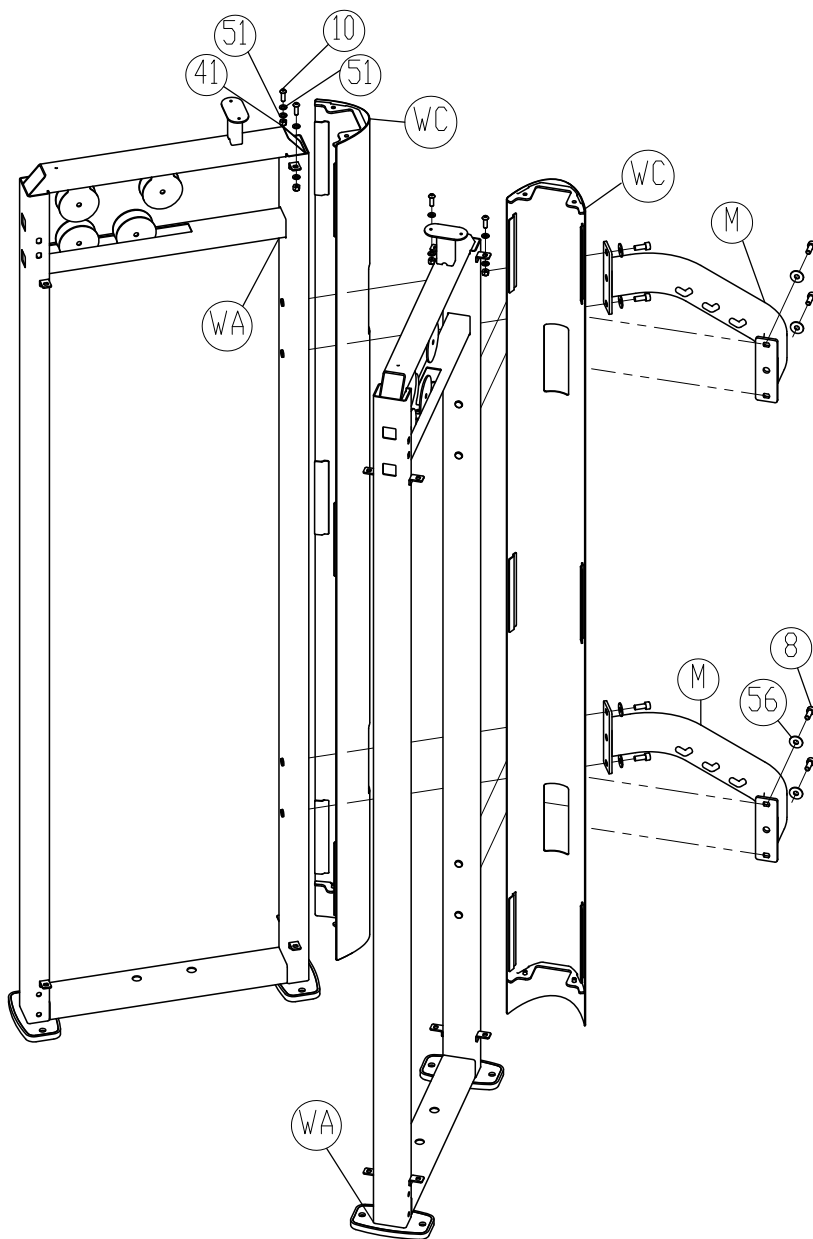
Finger tighten all hardware in this step. DO NOT wrench tighten unless instructed. Some components may be pre-assembled. Nylon lock nuts will not fully screw onto bolts, they must be wrench tighten to fully go on.

- 1A. Attach two Long Metal Shrouds (WC) to two Weight Stack Frames (WA) using:**
 - 4 - (#10) M8X25mm Button Head Cap Screw**
 - 8 - (#51) M8 Flat Washer**
 - 4 - (#41) M8 Nylon Lock Nut**

- 1. Attach two Center Frames (M) to Weight Stack Frames (WA) using:**
 - 8 - (#8) M10X25mm Socket Head Cap Screw**
 - 8 - (#56) M10 Large Flat Washer**



Above shows Step 1 assembled and completed.



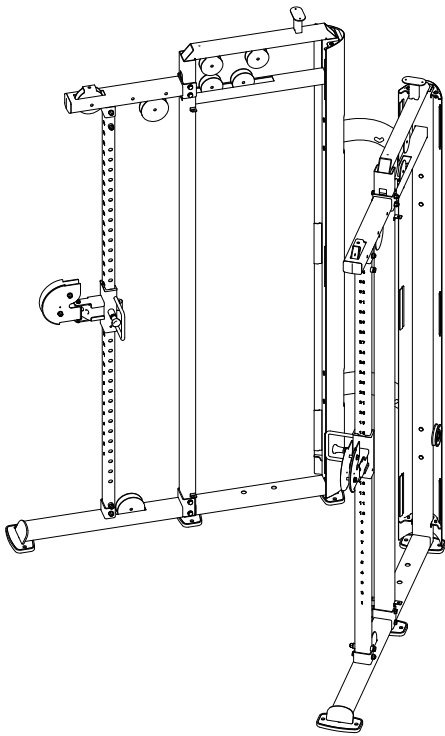
STEP**2**

Be careful to assemble all components in the sequence they are presented.

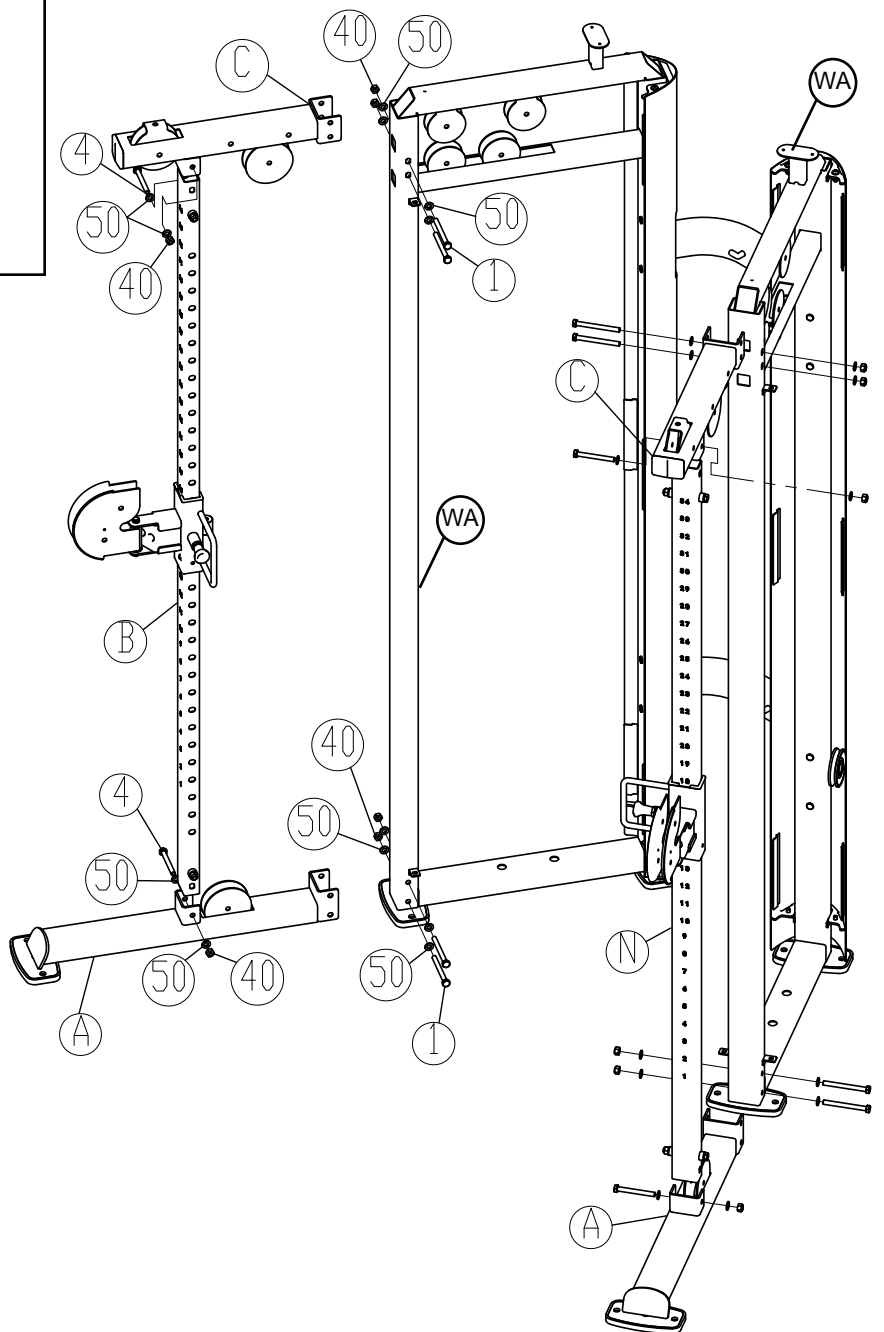
NOTE:

Finger tighten all hardware in this step. DO NOT wrench tighten unless instructed. Some components may be pre-assembled. Nylon lock nuts will not fully screw onto bolts, they must be wrench tighten to fully go on.

- 2A.** Attach two Base Frames (**A**) to Weight Stack Frames (**WA**) using:
4 - (#1) M10X105mm Hex Head Bolt
8 - (#50) M10 Flat Washer
4 - (#40) M10 Nylon Lock Nut
- 2B.** Attach two Top Side Frames (**C**) to Weight Stack Frames (**WA**) using:
4 - (#1) M10X105mm Hex Head Bolt
8 - (#50) M10 Flat Washer
4 - (#40) M10 Nylon Lock Nut
- 2C.** Attach Right Guide Post (**B**) to Right Side of Base Frame & Top Side Frame (**A & C**) using:
2 - (#4) M10X90mm Hex Head Bolt
4 - (#50) M10 Flat Washer
2 - (#40) M10 Nylon Lock Nut
- 2D.** Attach Left Guide Post (**N**) to Left Side of Base Frame & Top Side Frame (**A & C**) using:
2 - (#4) M10X90mm Hex Head Bolt
4 - (#50) M10 Flat Washer
2 - (#40) M10 Nylon Lock Nut



Above shows Step 2 assembled and completed.



Be careful to assemble all components in the sequence they are presented.

NOTE:

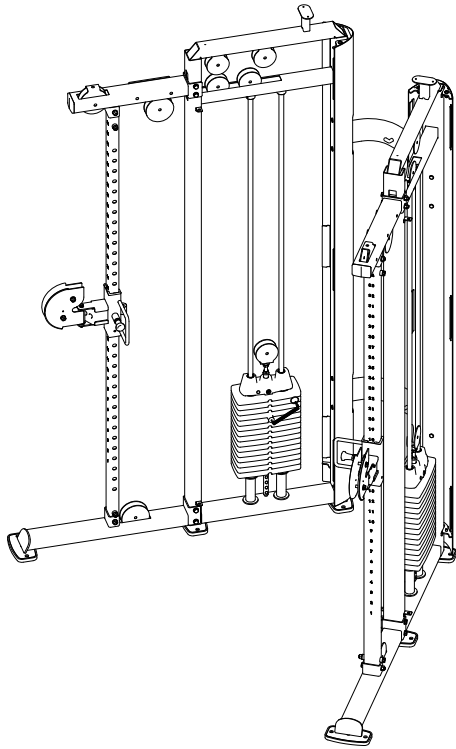
Finger tighten all hardware in this step. DO NOT wrench tighten unless instructed. Some components may be pre-assembled. Nylon lock nuts will not fully screw onto bolts, they must be wrench tighten to fully go on.

- 3A.** Install Chrome Guide Rods (**WD**) into the holes in the Weight Stack Frames (**WA**).
- 3B.** Install Weight Risers (**#87**) & Rubber Donuts (**#67**) and slide to the bottom of the Guide Rods

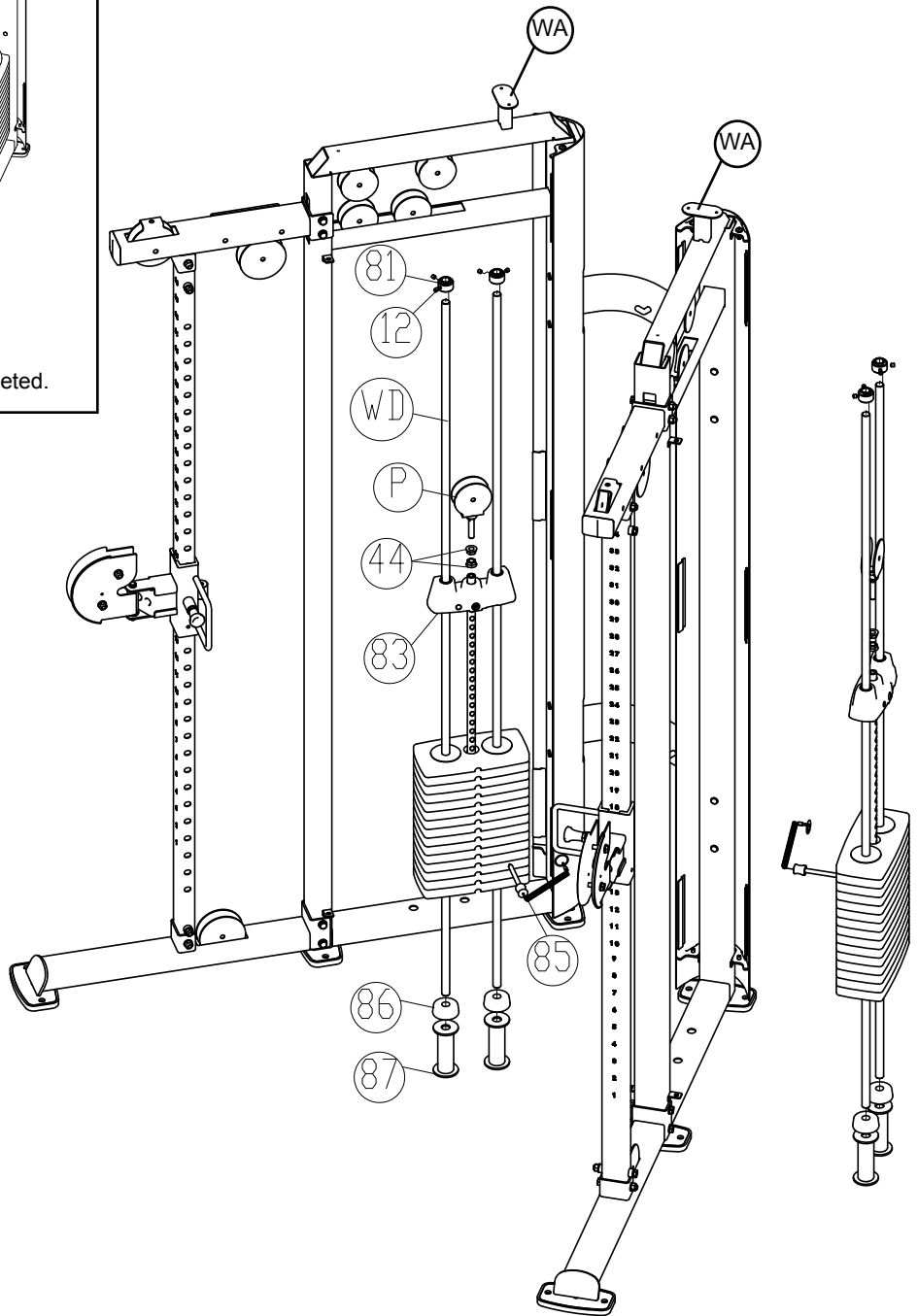
Important Notes:

- 1. Install the rod ends with side holes into the bottom section of the Weight Stack Frame.**
 - 2. If 20pcs of weight plates are to be installed, do not install Weight Risers (87)**
- 3C.** Tilt Guide Rods (**WD**) away from the Weight Stack Frame (**WA**) and install 15pcs of weight plates. Be careful to hold guide rods steadily when installing weight plates.
 - 3D.** Install Top Plate & Selector Rod Assembly (**#83**) onto the Guide Rods (**WD**) .
 - 3E.** Install Weight Stack Pin (**#85**) using the key ring end through the Swivel Pully Bracket (**P**).
 - 3F.** Install Two 1/2" Flange Hex Nut (**#44**) & Swivel Pulley Bracket (**P**) onto the Top Plate (**#83**) .
 - 3G.** Install Shaft Collars (**#81**) onto the Guide Rods (**WD**)
 - 3H.** Slide Shaft Collars (**#81**) upward so they lock the guide rods into position by tightening the four M8x8mm Set Screws (**#12**).
 - 3J.** Repeat the Same Steps (3A to 3H) on the other side of the machine.

STEP
3



Above shows Step 3 assembled and completed.



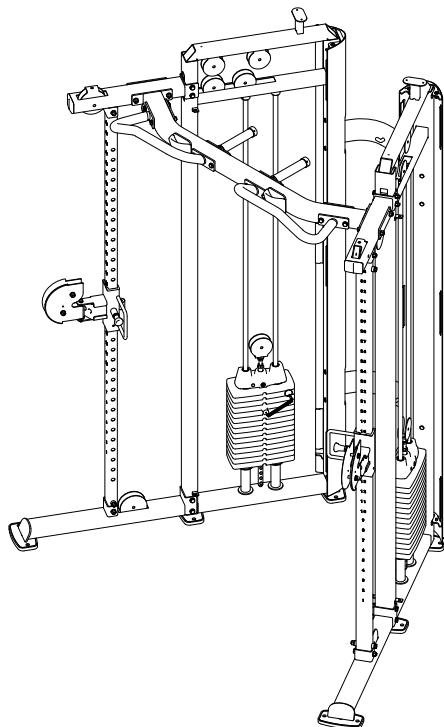
STEP**4**

Be careful to assemble all components in the sequence they are presented.

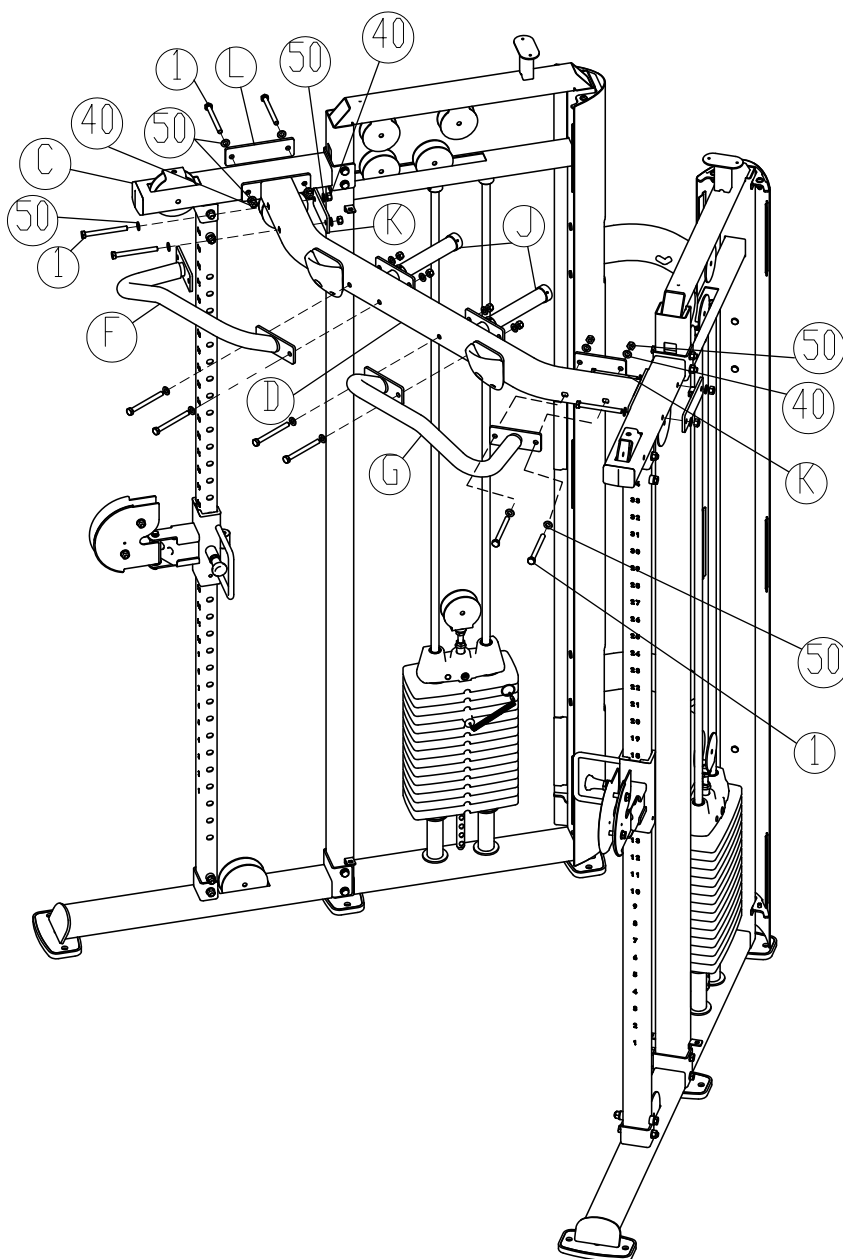
NOTE:

Wrench tighten ALL hardware at the end of Step 4A. Some components may be pre-assembled. Nylon lock nuts will not fully screw onto bolts, they must be wrench tighten to fully go on.

- 4A.** Attach Center Top Frame **(D)** to Top Side Frames **(C)** using:
- 4 - (#1) M10X105mm Hex Head Bolt**
 - 8 - (#50) M10 Flat Washer**
 - 4 - (#40) M10 Nylon Lock Nut**
 - 2 - (L) Steel Plate**
- 4B.** Attach Right Chin Up Handle **(F)** & Pull Up Handle **(J)** to Center Top Frame **(D)** using:
- 4 - (#1) M10X105mm Hex Head Bolt**
 - 8 - (#50) M10 Flat Washer**
 - 4 - (#40) M10 Nylon Lock Nut**
 - 1 - (K) Steel Plate**
- 4C.** Attach Left Chin Up Handle **(G)** & Pull Up Handle **(J)** to Center Top Frame **(D)** using:
- 4 - (#1) M10X105mm Hex Head Bolt**
 - 8 - (#50) M10 Flat Washer**
 - 4 - (#40) M10 Nylon Lock Nut**
 - 1 - (K) Steel Plate**



Above shows Step 4 assembled and completed.



STEP**5**

Be careful to assemble all components in the sequence they are presented.

NOTE:

Wrench tighten ALL hardware at the end of Each Step. Some components may be pre-assembled. Nylon lock nuts will not fully screw onto bolts, they must be wrench tighten to fully go on.

5A. Install Cable (**#88**) while installing three Large Pulleys (**#63**) and Seven Small Pulleys (**#64**) on the Right Side of the Machine as shown in Step 5 Drawing using:

1 - (**#3**) M10X95mm Hex Head Bolt

2 - (**#5**) M10X55mm Hex Head Bolt

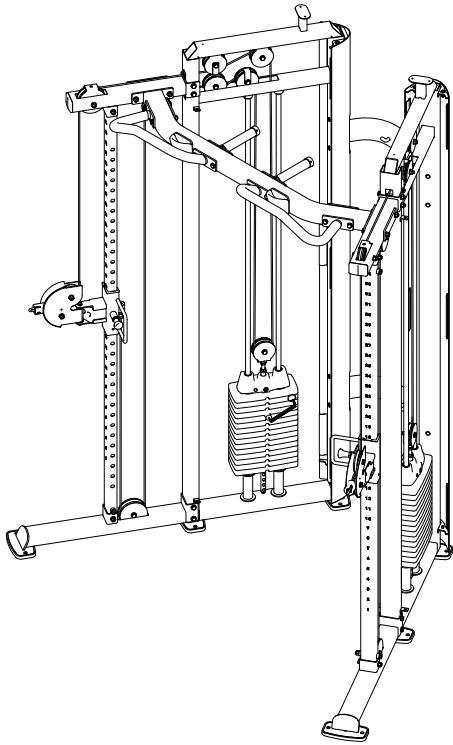
7 - (**#6**) M10X50mm Hex Head Bolt

20 - (**#50**) M10 Flat Washer

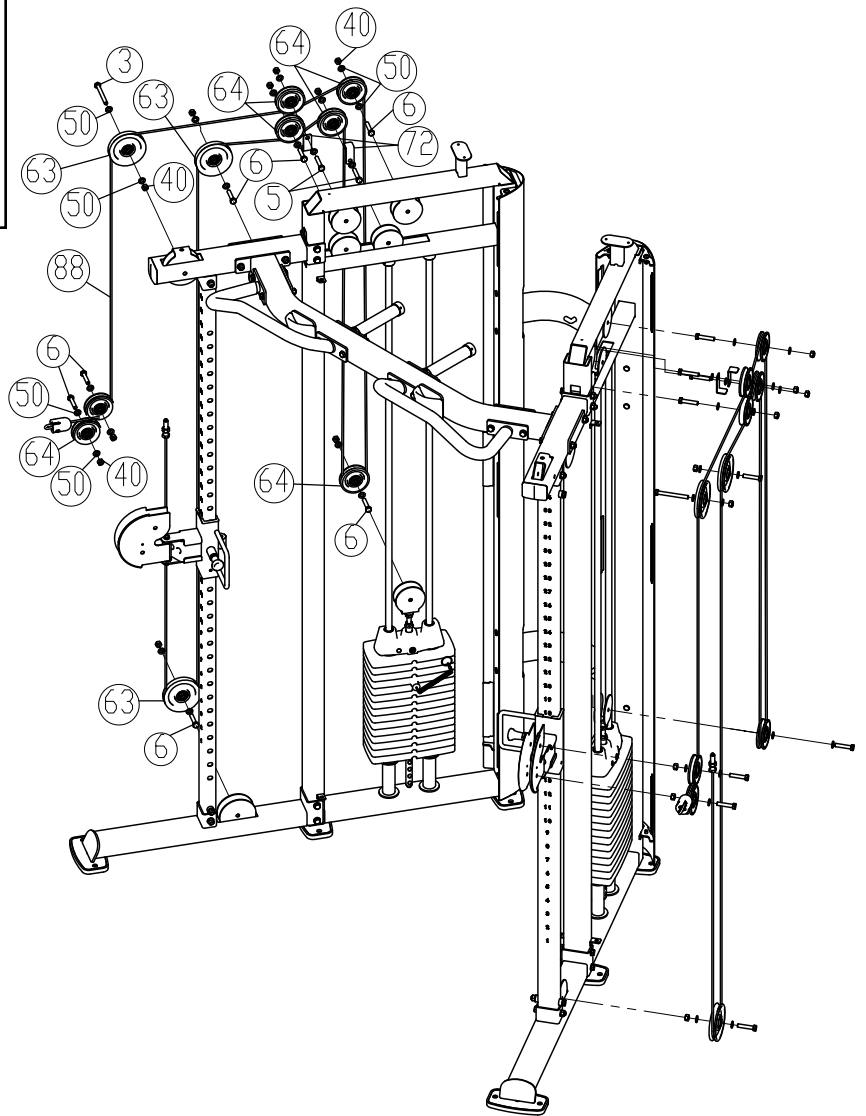
10 - (**#40**) M10 Nylon Lock Nut

2 - (**#72**) Steel Bracket

5B. Repeat the previous Step (5A) on the other side of the machine.



Above shows Step 5 assembled and completed.

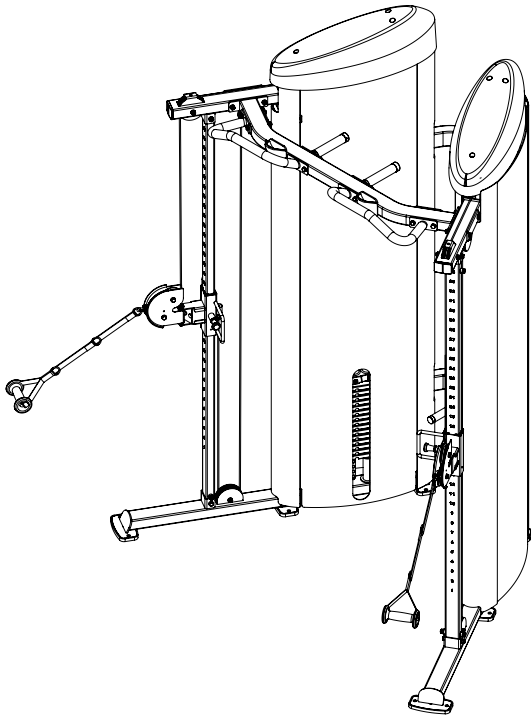


Be careful to assemble all components in the sequence they are presented.

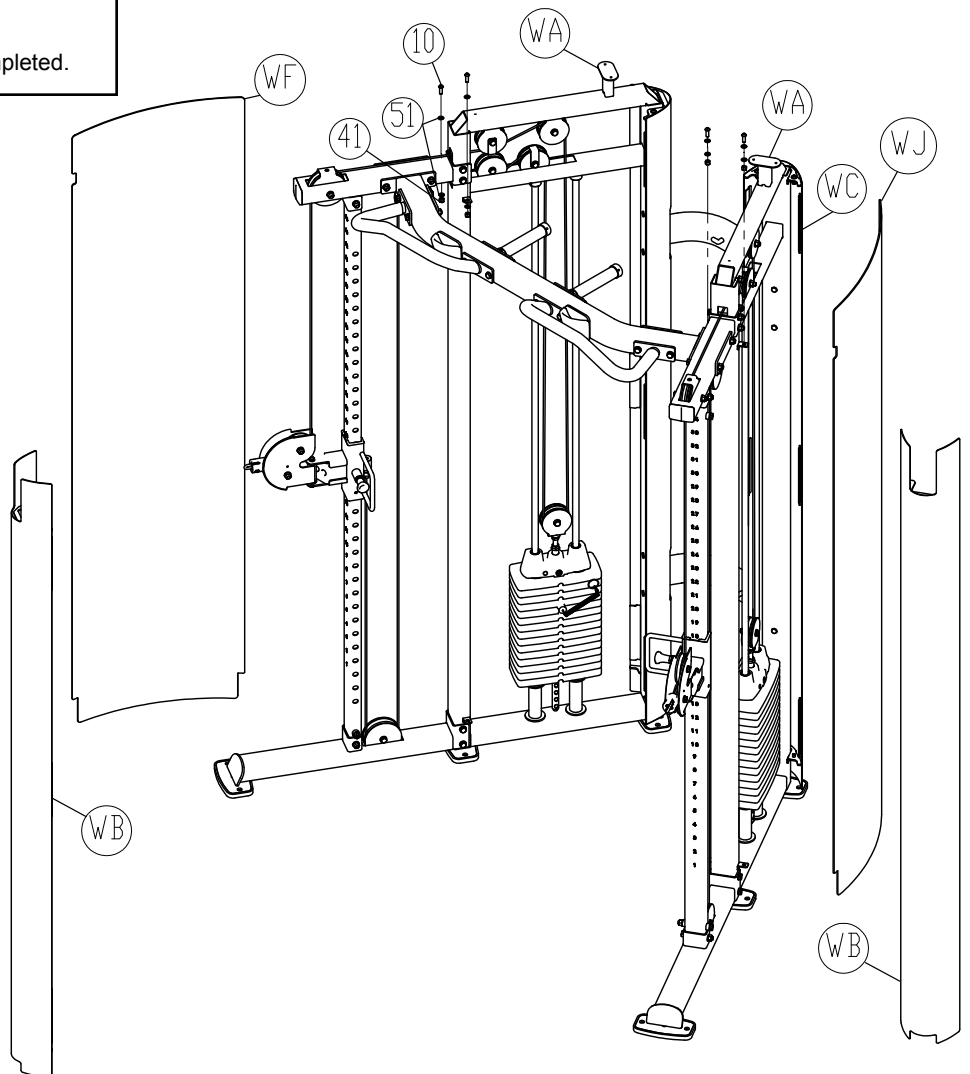
NOTE:

Wrench tighten ALL hardware at the end of Each Step. Some components may be pre-assembled. Nylon lock nuts will not fully screw onto bolts, they must be wrench tighten to fully go on.

- 6A.** Attach two Short Metal Shrouds (**WB**) to Weight Stack Frames (**WA**) using:
- 4 - (#10) M8X25mm Button Head Cap Screw**
 - 8 - (#51) M8 Flat Washer**
 - 4 - (#41) M8 Nylon Lock Nut**
- 6B.** Bend the Right Rear Shroud (**WF**) and insert it to the side slots of the Metal Shrouds (**WB & WC**).
- 6C.** Bend the Left Rear Shroud (**WJ**) and insert it to the side slots of the Metal Shrouds (**WB & WC**).



Above shows Step 6 assembled and completed.



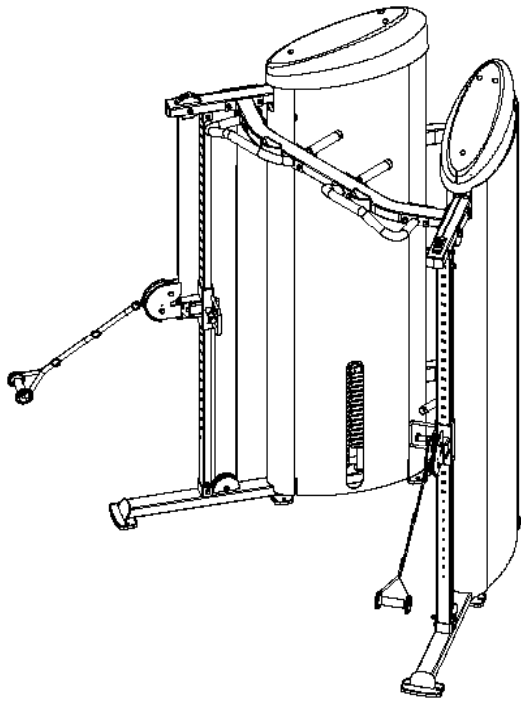
STEP**7**

Be careful to assemble all components in the sequence they are presented.

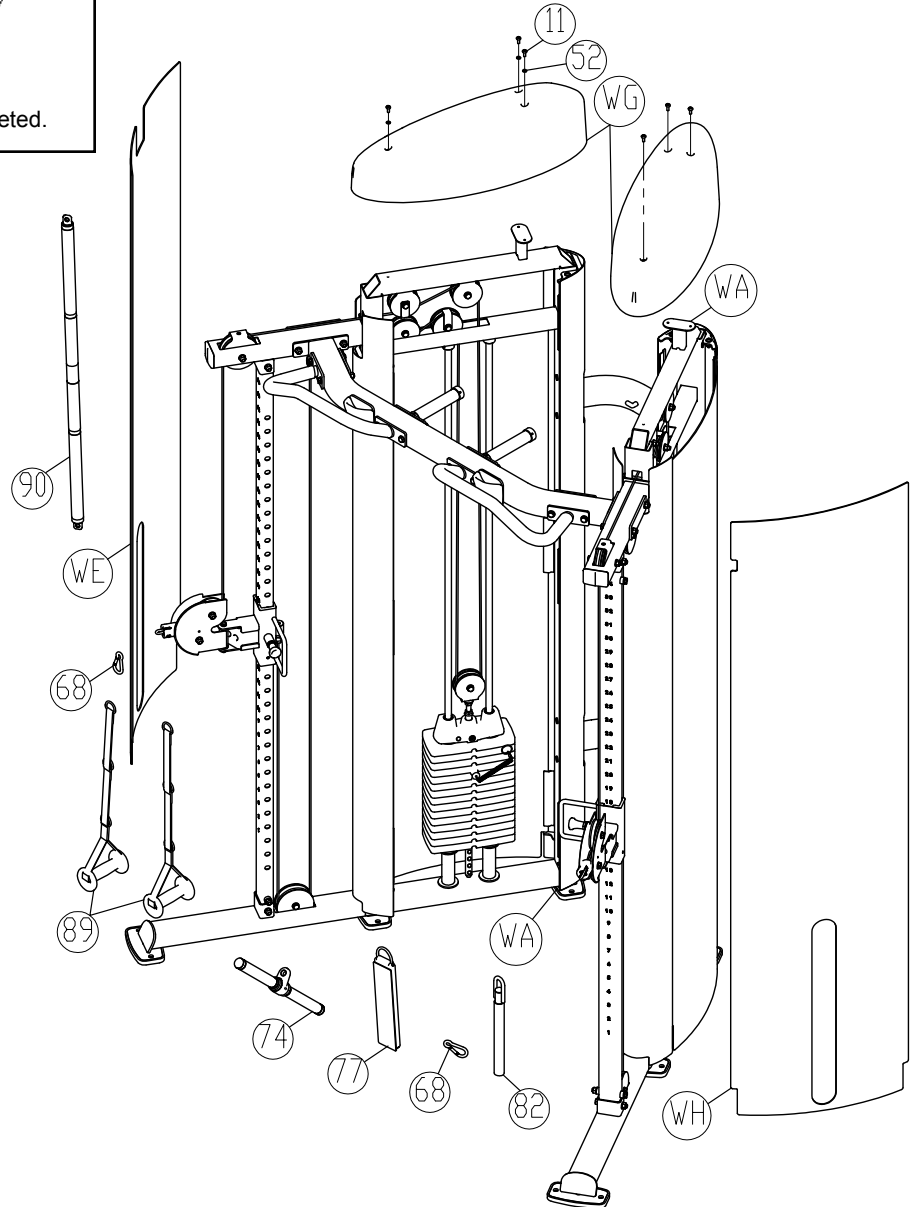
NOTE:

Wrench tighten ALL hardware at the end of Each Step. Some components may be pre-assembled. Nylon lock nuts will not fully screw onto bolts, they must be wrench tighten to fully go on.

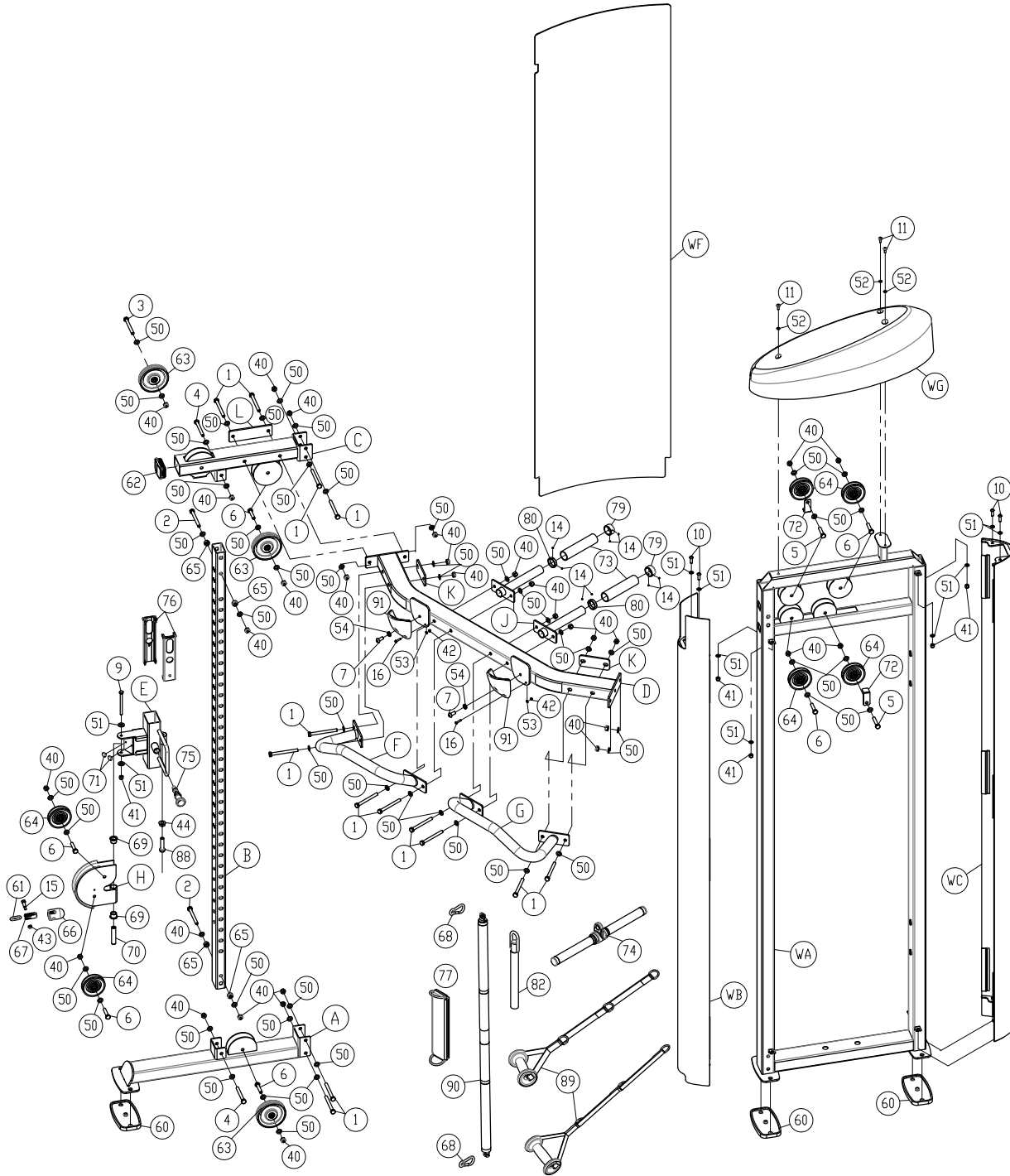
- 7A.** Bend the Right Front Shroud (**WE**) and insert it to the side slots of the Metal Shrouds (**WB & WC**).
- 7B.** Bend the Left Rear Shroud (**WH**) and insert it to the side slots of the Metal Shrouds (**WB & WC**).
- 7C.** Attach Two Top Shrouds (**WG**) to Weight Stack Frames (**WA**) using:
 - 6 - (#11) M6X16mm Phillips Head Screw**
 - 6 - (#52) M6 Flat Washer**



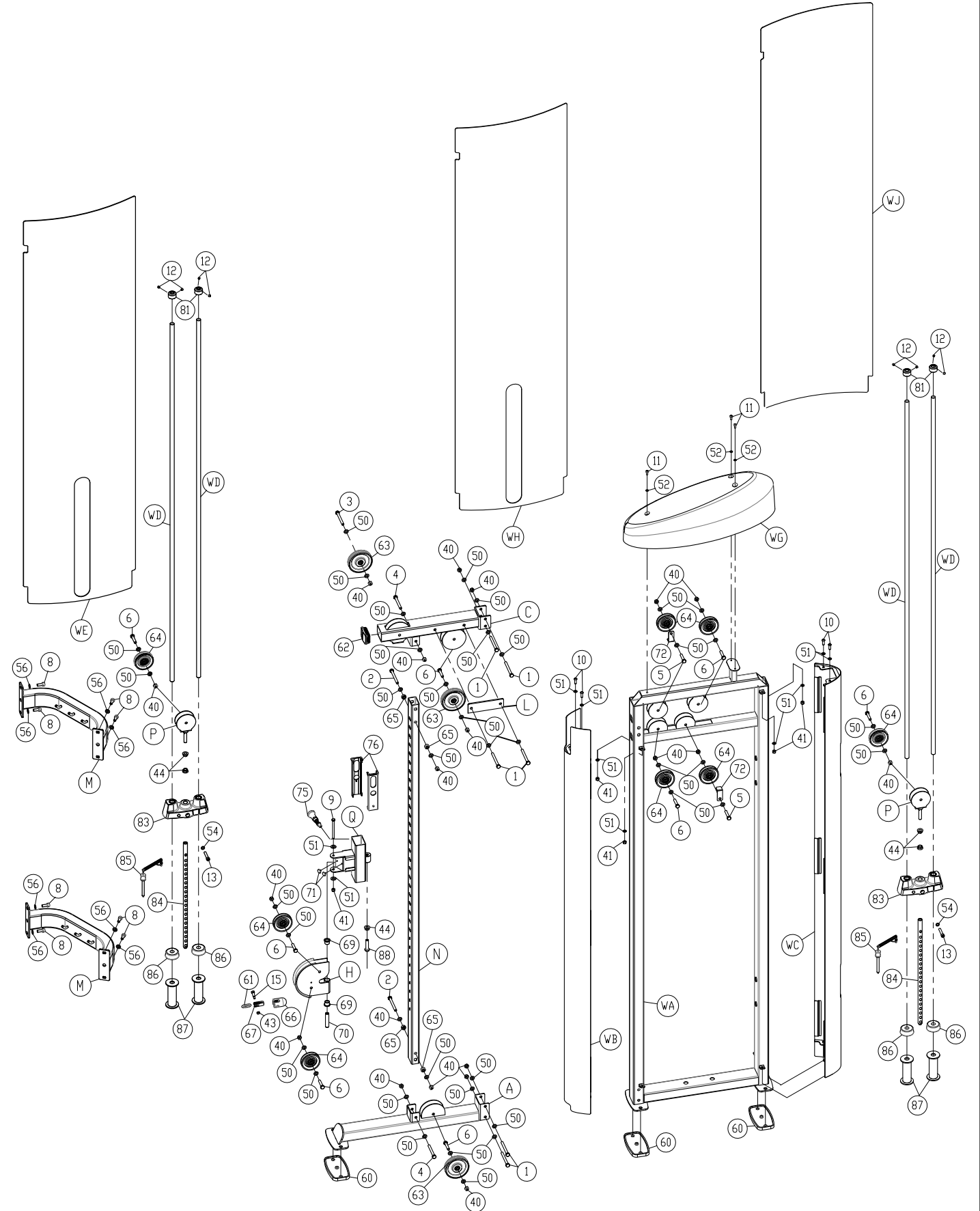
Above shows Step 7 assembled and completed.



S2FT Exploded View



S2FT Exploded View (Continue)



Body-Solid®
Built for Life

S2FT

PLEASE WRITE YOUR SERIAL NUMBER IN THE BOXES BELOW

S/N # 011878-□□-□□-□□□□-□□□□

1900 S. Des Plaines Ave.
Forest Park, IL 60130
Phone:(708)427-3555
Fax:(708)427-3556
Hours: M-F 8:30 - 5:00 CST

www.bodysolid.com

Copyright 2009. Body-Solid. All rights reserved. Body-Solid reserves the right to change design and specifications when we feel it will improve the product. Body-Solid machines maintain several patented and patent pending features and designs. All rights reserved on all design patents and utility patents.