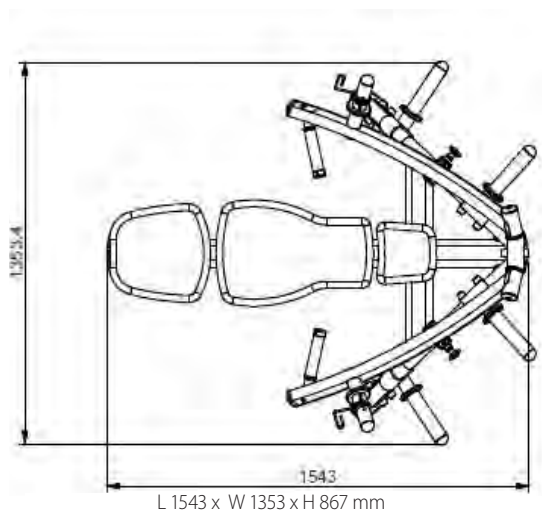


PLBP Plateload Bench Press Machine

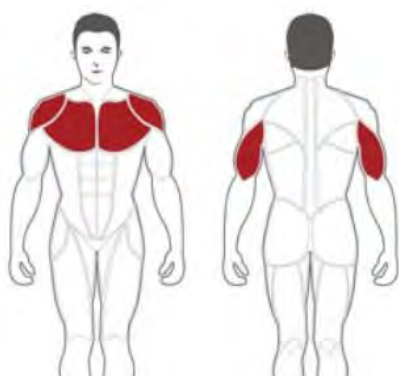


Built to deliver Strength - and deliver it does. This Steelflex Bench Press Machine is designed with great precision to provide a 25 Degree converging pattern providing exceptional range of motion and a natural feel to your workout. The bench press arms can be used together or independently for balanced muscle development.

- Olympic weight posts
(for use only with olympic weight plates)
- **Weight plates not included**

2 colour combinations:

- Red framework with black mainframe & black upholstered pads as standard
- Silver grey version with black upholstered pads (on request)



FEATURES

- 11 gauge steel frame, 5 x 10 cm square tubing
- Electro-statically applied powder coat
- Industrial rated bearings, sealed bearings at all pivot points
- Durable double stitched upholstery
- Adjustable press arms to fit all size users, with adjustable start positions
- Ergonomic hand grip positions
- Converging press arm movement for advanced biomechanics
- Independent, unilateral arm action for balanced muscle development

SPECIFICATIONS

Dimensions:	154 x 135 x 87 cm
Product weight:	75 kg
Max. user weight:	120 kg

WARRANTY: COMMERCIAL AND RESIDENTIAL

Frame	15 years
Bearings	2 years
Upholstery & grips	6 months
Other parts	1 year