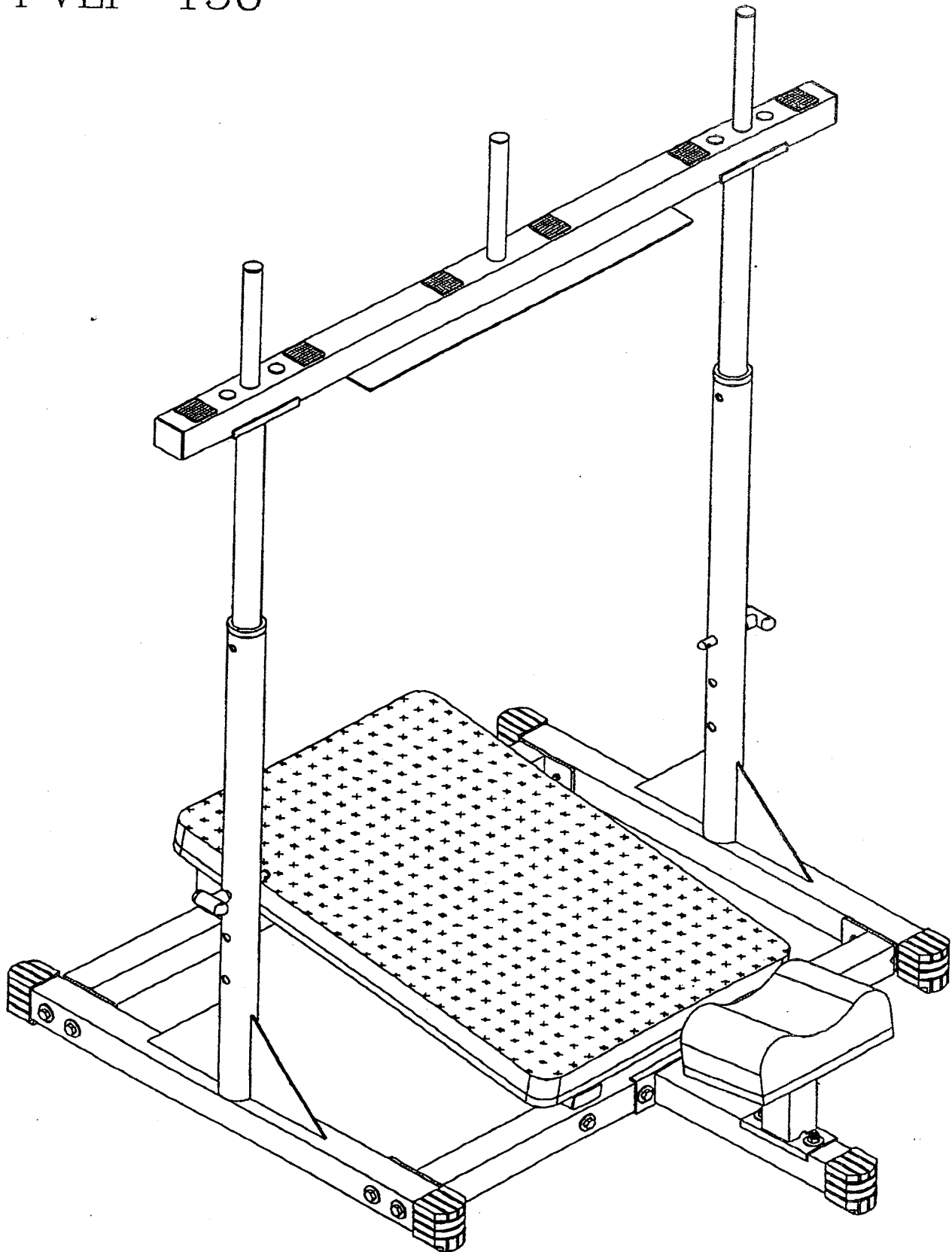


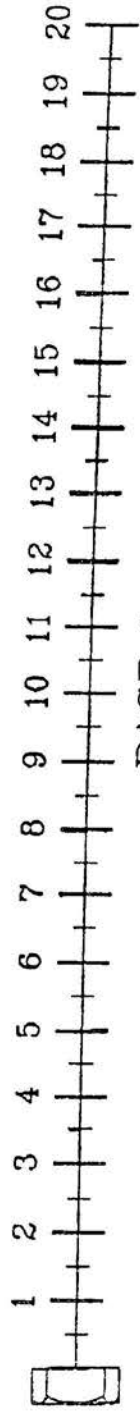
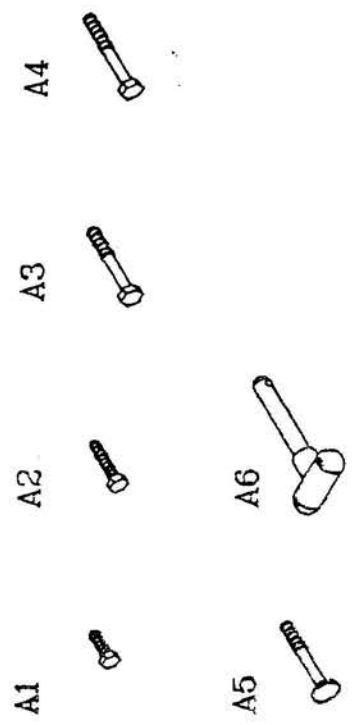
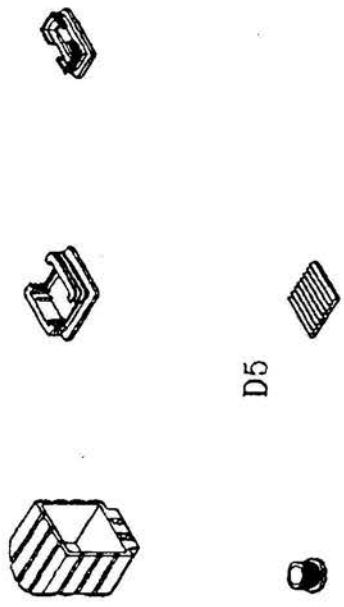
PVLP-156



VERSION 0210

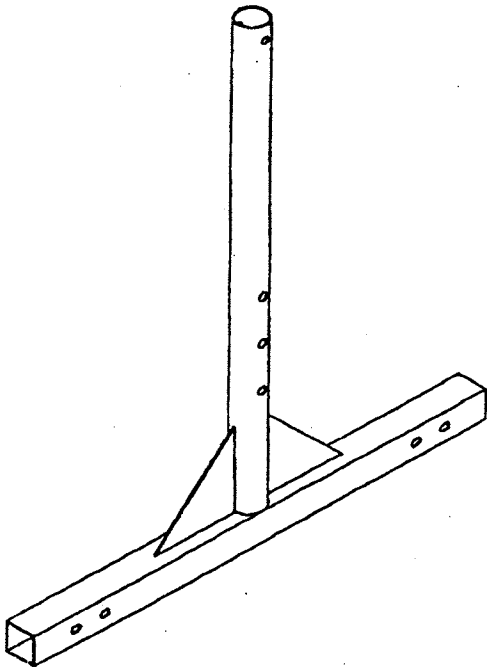
PVL P-156 HARDWARE ILLUSTRATION SHEET

	Qty.	
A1. M8X25L HEX HEAD BOLT	[4PCS]	D1. 2"X2" FOOT CAP (9212-003)
A2. M8X45L HEX HEAD BOLT	[4PCS]	D2. 2"X2"X2.5t END CAP (9211-006)
A3. M10X65L HEX HEAD BOLT	[8PCS]	D3. 1"X2" END CAP (9211-009)
A4. M10X70L HEX HEAD BOLT	[6PCS]	D4. ø1" ROUND END CAP (9211-016)
A5. M10X70L CARRIAGE BOLT	[6PCS]	D5. 38X38 RUBBER BAR CATCH (9310-001)
A6. ø12X70L PIN	[2PCS]	
B1. M10 NYLON LOCK NUT	[12PCS]	D1
C1. M8 (I.D.)WASHER	[8PCS]	D2
C2. M8 SPRING WASHER	[8PCS]	D3
C3. M10 (I.D.)WASHER	[24PCS]	

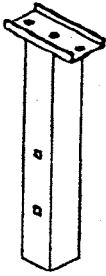


PVLP-156 PARTS ILLUSTRATION SHEET

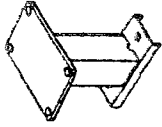
A [2PCS]



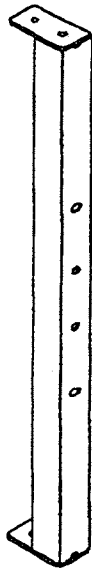
F [1PCS]



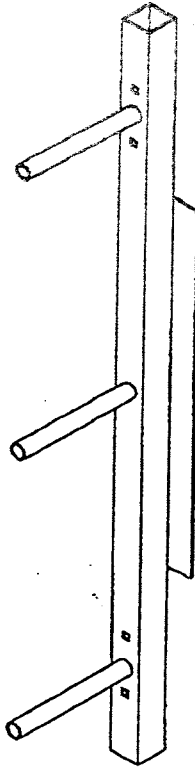
G [1PCS]



B [1PCS]



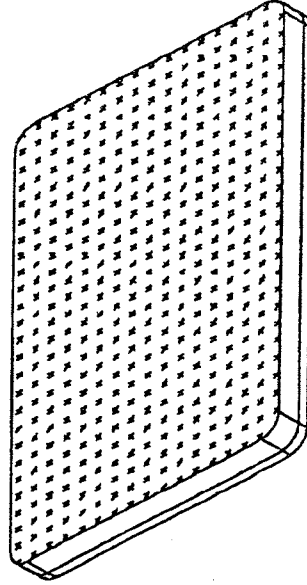
H [1PCS]



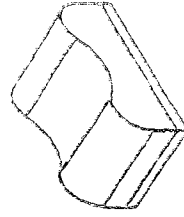
C [1PCS]



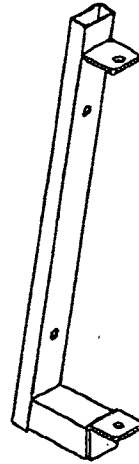
I [1PCS]



J [1PCS]



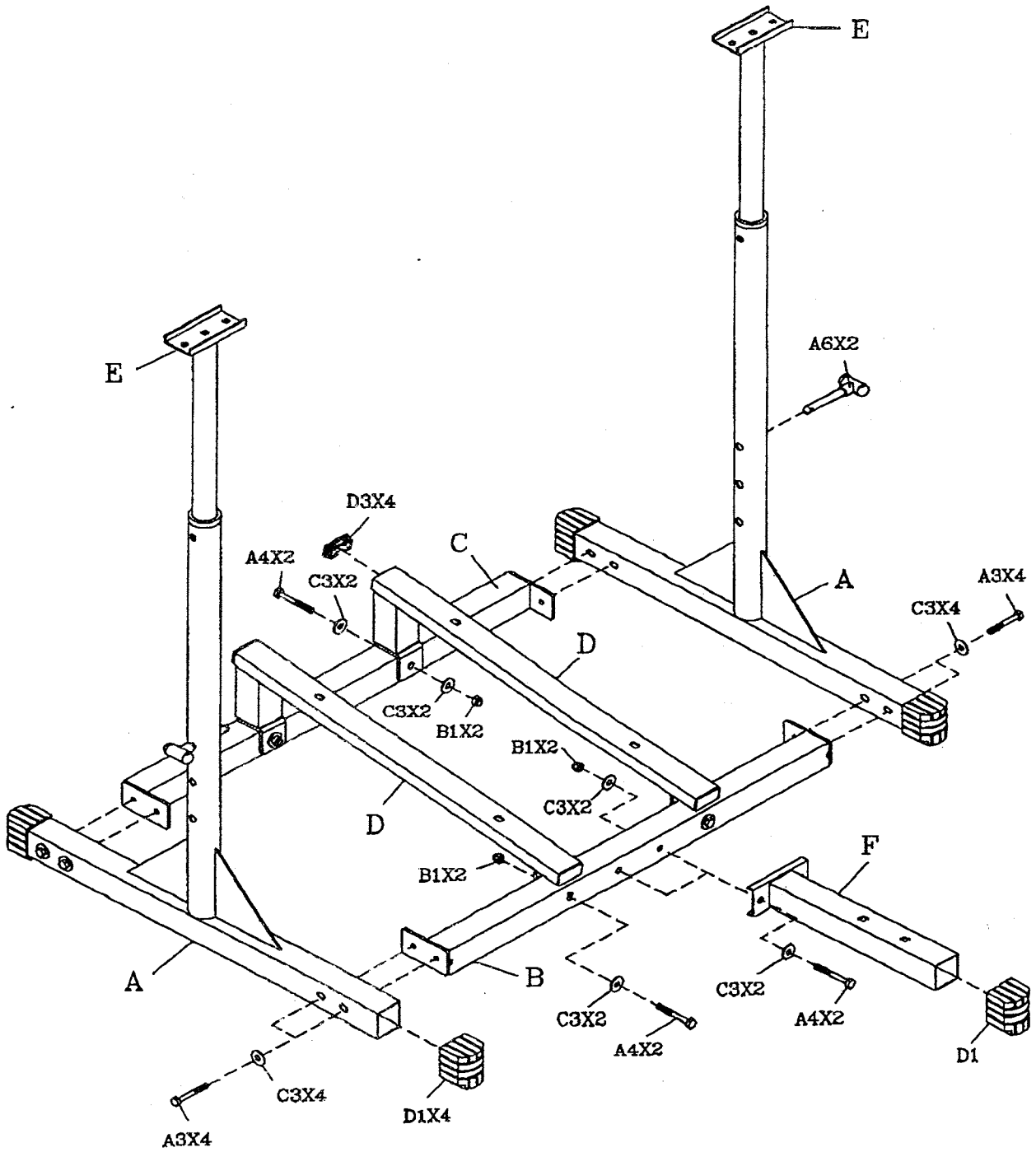
D [2PCS]



E [2PCS]



PVLP-156



PVLP-156

