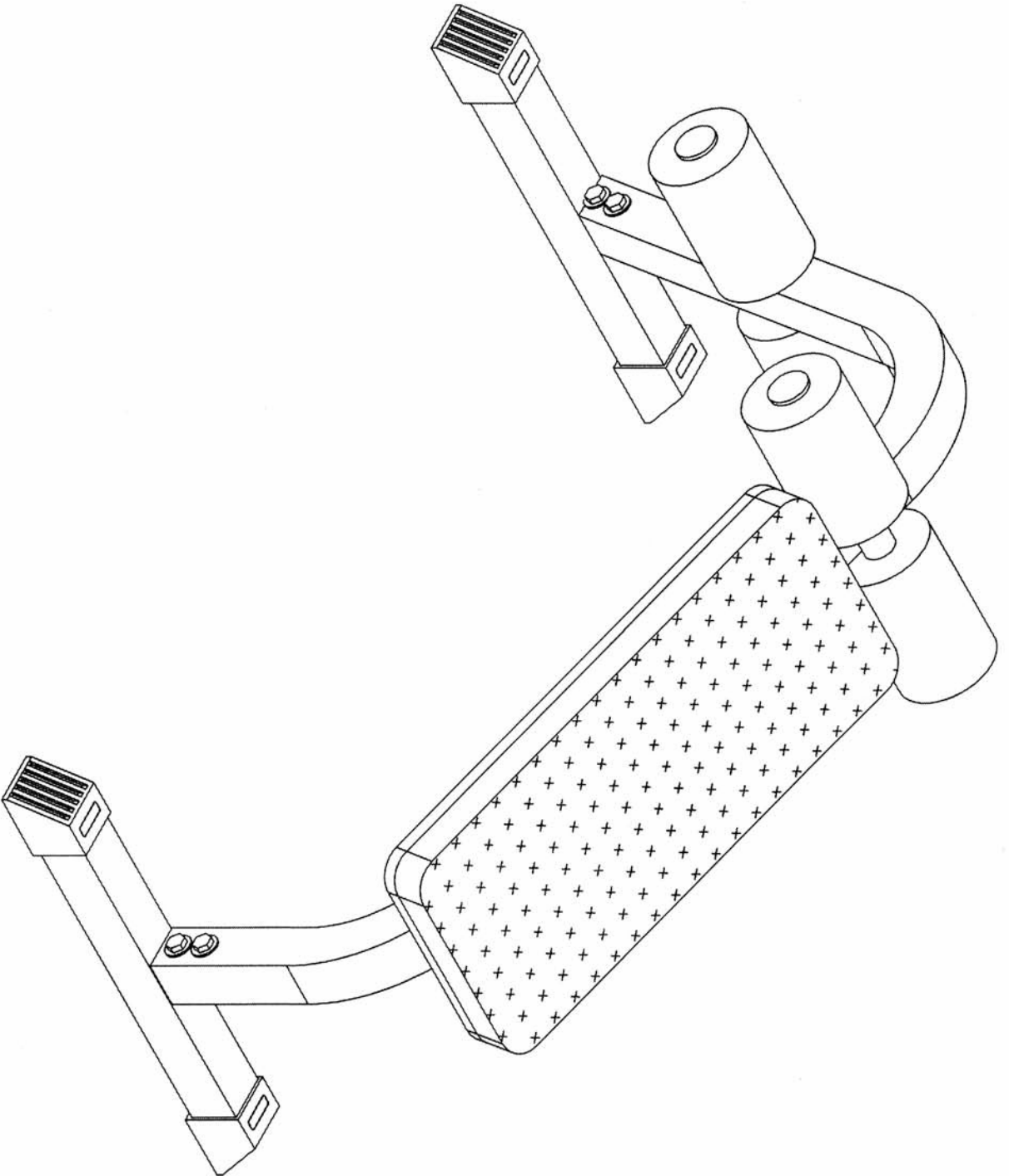


PAB-139



VERSION 1108

HARDWARE ILLUSTRATION SHEET

PARTS ILLUSTRATION SHEET

	Qty.
A1. M10X16 HEX HEAD BOLT	[8PCS]
A2. M8X70 HEX HEAD BOLT	[2PCS]
C1. M10 (I.D) WASHER	[8PCS]
C2. M8 (I.D) WASHER	[2PCS]
C3. M8 SPRING WASHER	[2PCS]
D1. 2"X2" FOOT CAP (9212-032)	[4PCS]
D2. Ø1" ROUND END CAP (9211-016)	[4PCS]
D3. Ø3"X8" FOAM ROLLER (9161-060)	[4PCS]

