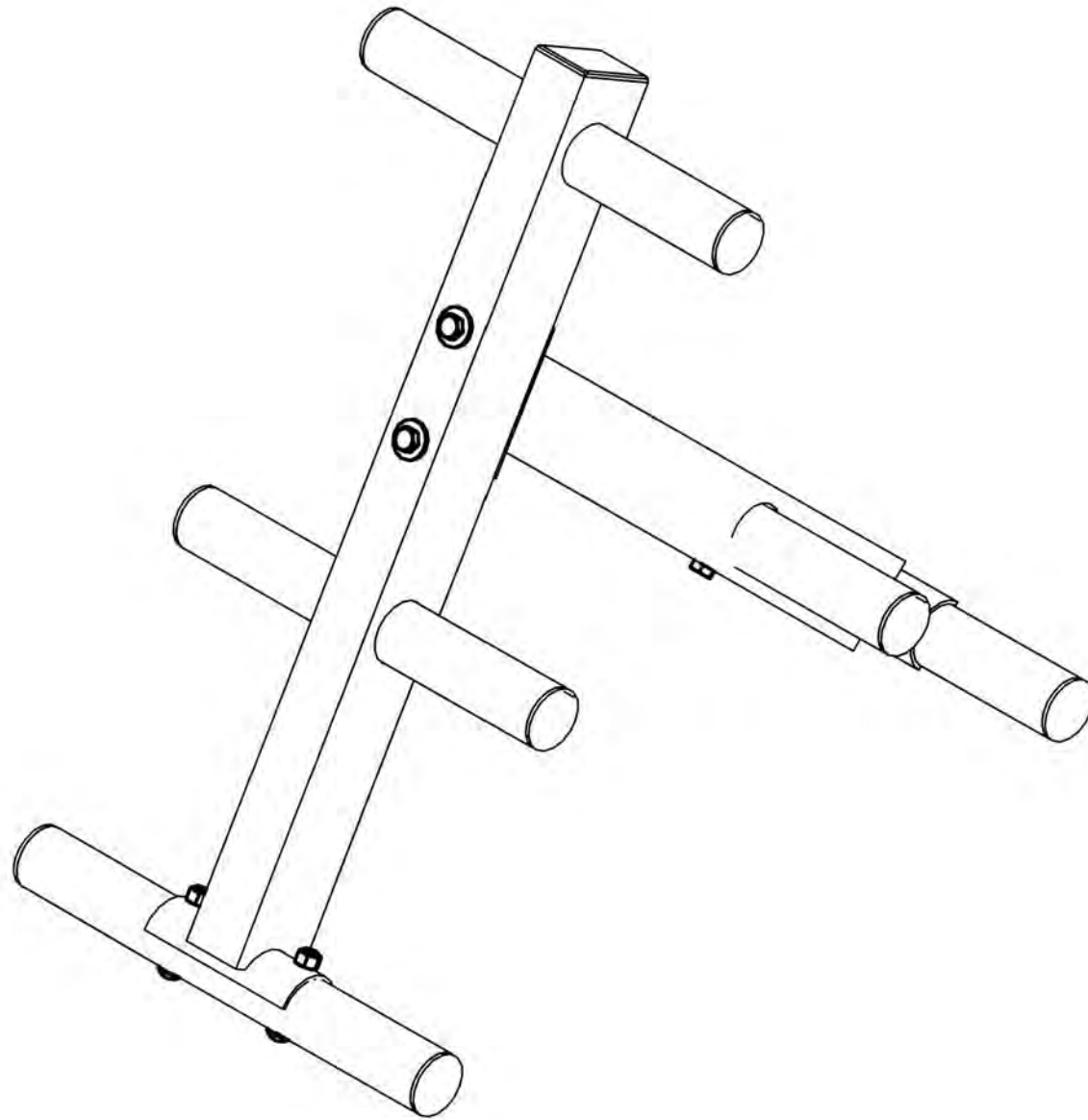


OWT-24.2



VERSION 0105

HARDWARE ILLUSTRATION SHEET

PARTS ILLUSTRATION SHEET

	Qty.
A1. M10X65L CARRIAGE BOLT-----	[4PCS]
A2. M10X90L HEX HEAD BOLT -----	[2PCS]
B1. M10 LOCK NUT-----	[6PCS]
C1. M10 (I.D) WASHER -----	[2PCS]
D1. 50X75 END CAP (9211-012)-----	[1PCS]
D2. ϕ 48 ROUND END CAP(9211-019) -----	[6PCS]
D3. ϕ 50 ROUND END CAP(9211-020) -----	[4PCS]

A1



A2



B1



C1



D1



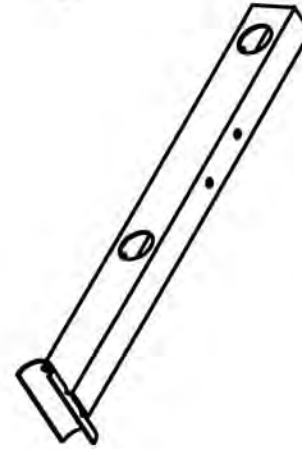
D2



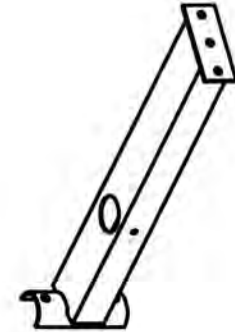
D3



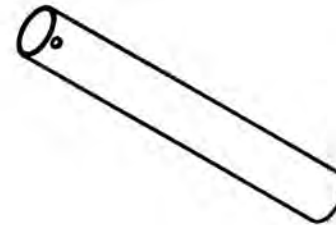
A [1PCS]



B [1PCS]



D [3PCS]



C [2PCS]

