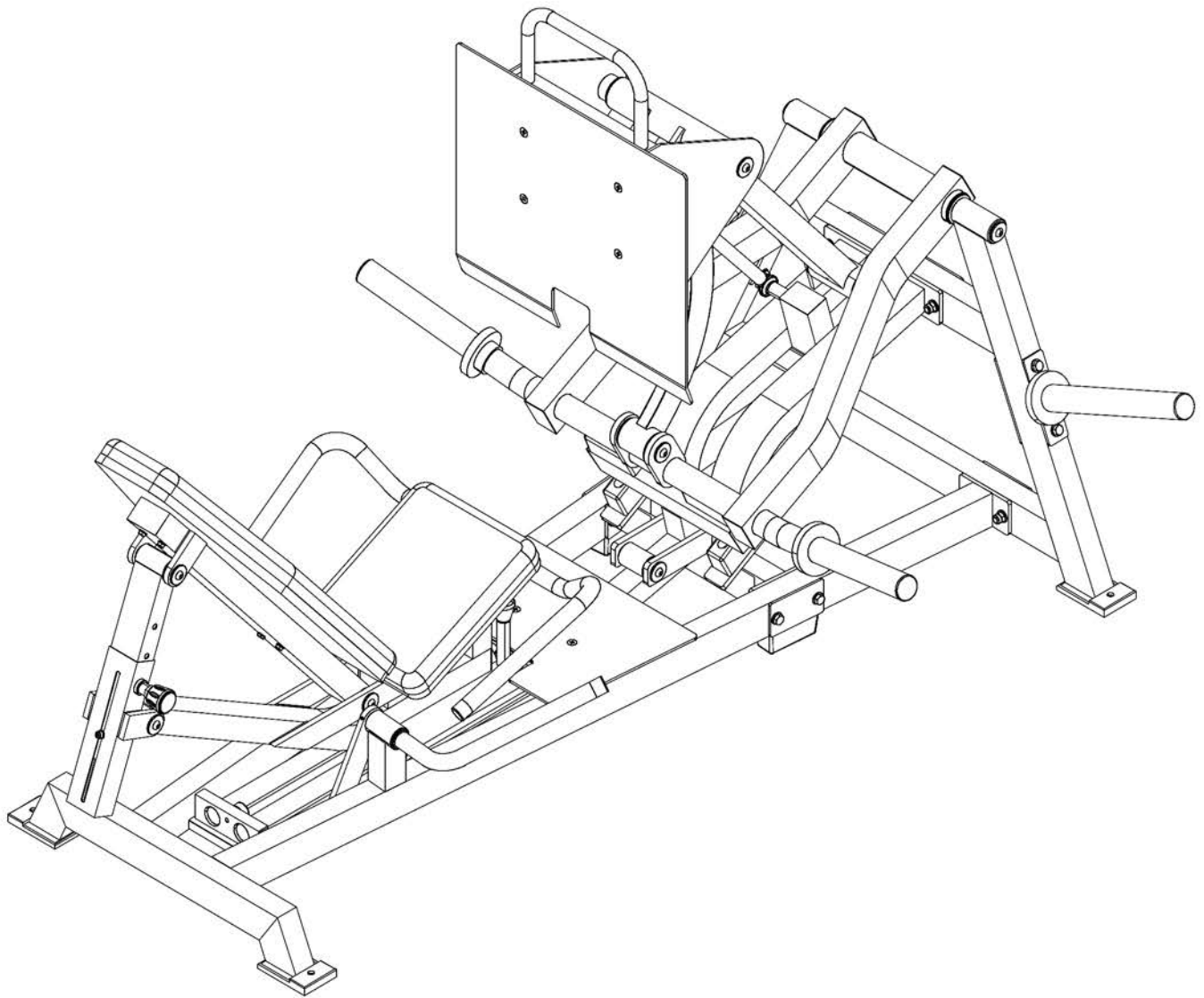


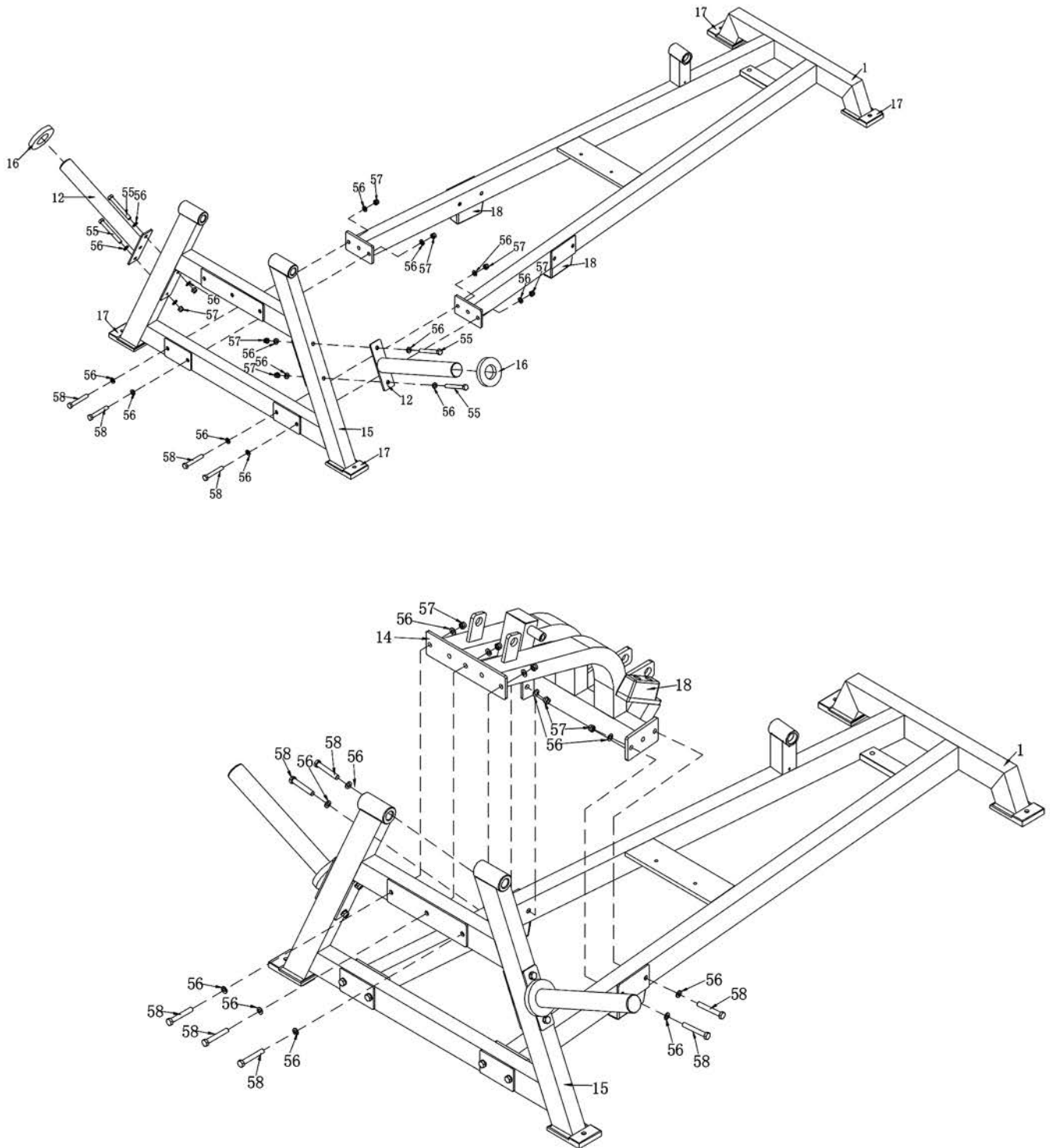
**LVLP**



*Body-Solid*

**LVL**

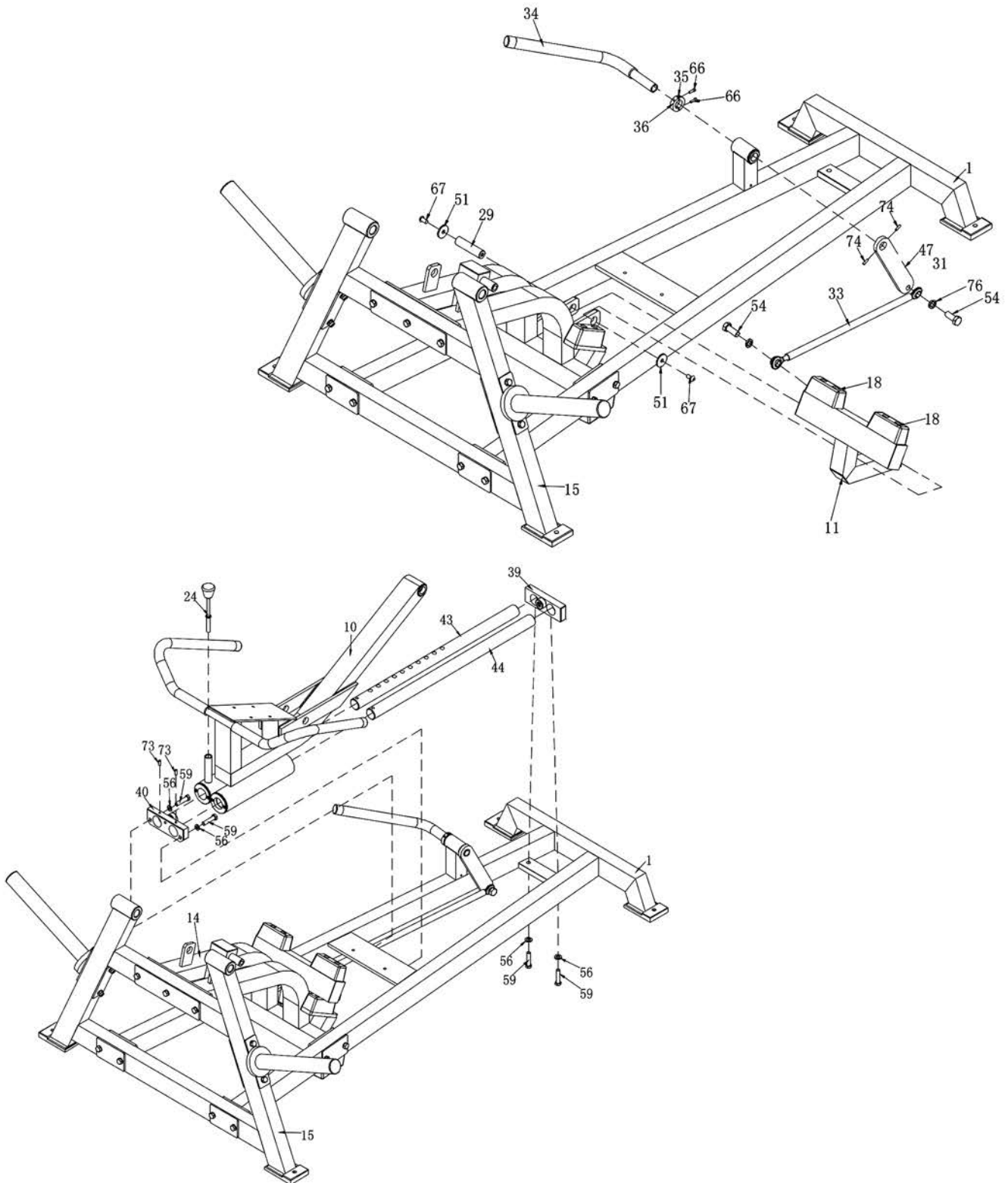
# ASSEMBLY INSTRUCTIONS



*Body-Solid*

**LVLP**

# ASSEMBLY INSTRUCTIONS



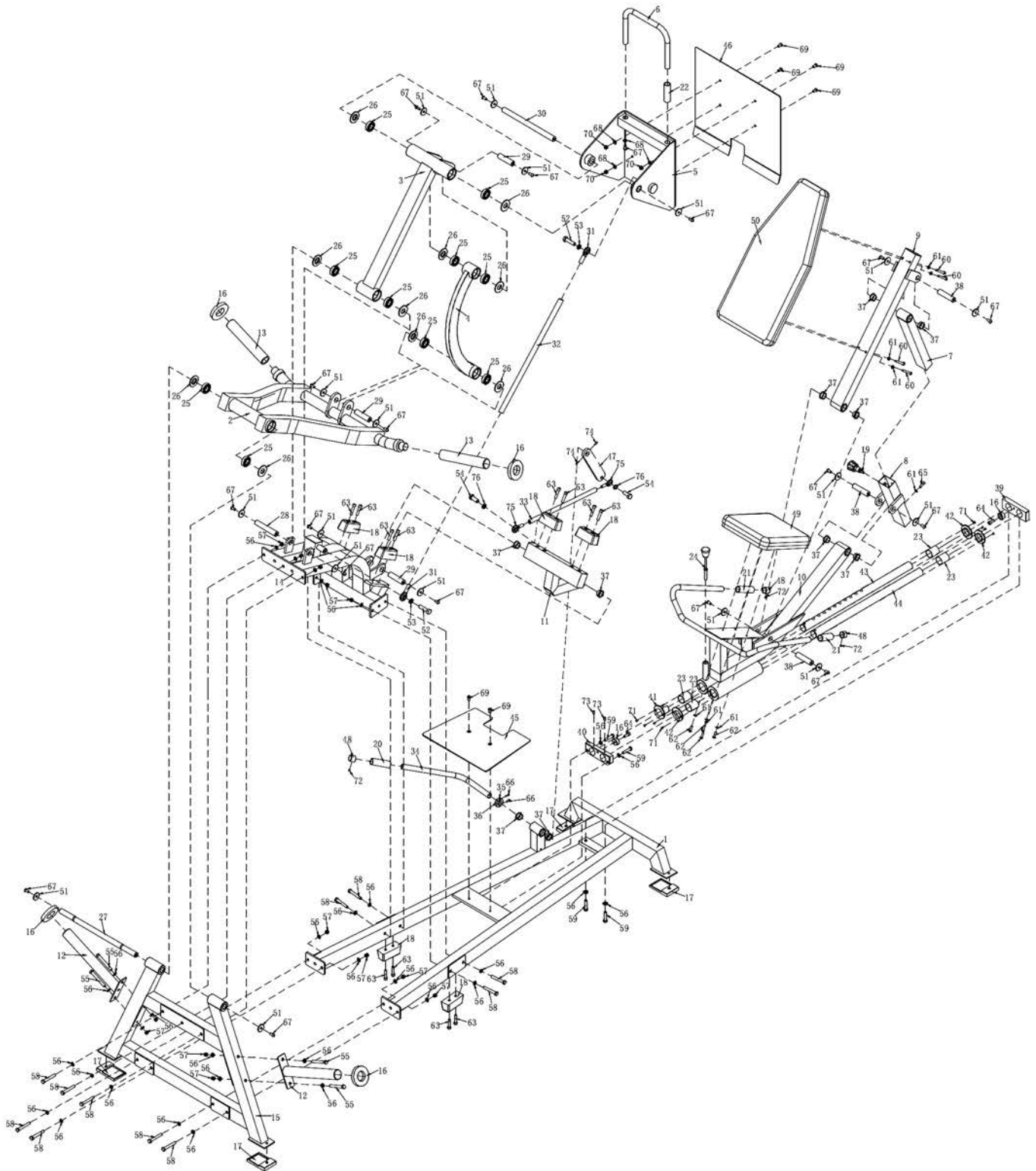
*Body-Solid*





**LVL**

# EXPLODED VIEW



*Body-Solid*

### LVLP Hardware List

No.	Description	Qty	No.	Description	Qty
1	Main Frame	1	25	Shaft	10
2	Dumbble Frame	1	26	Washer for Bearing	10
3	Tube	1	27	Shaft	1
4	Connecting Tube	1	28	Shaft $\phi$ 25*145	1
5	Foot Plate Bracket	1	29	Shaft $\phi$ 25*99	3
6	Upper Handle Bar	1	30	Shaft	1
7	Rear Adjustable Tube	1	31	M16 Shaft	2
8	Back Pad Tube	1	32	25*642 Shaft	1
9	Back Pad Frame	1	33	25*760 Shaft	1
10	Pad Frame	1	34	Handle Bar	1
11	Adjustable Tube	1	35	Right Ring	1
12	Loading Bar A	2	36	Left Ring	1
13	Loading Bar B	2	37	Bushing	10
14	Support Tube	1	38	Shaft $\phi$ 25*105	3
15	Tube	1	39	Back Guide Rod Bracket	1
16	$\phi$ 100* $\phi$ 50*18 Rubber Stoper	4	40	Front Guide Rod Bracket	1
17	125*85 End Cap	4	41	Washer for bearing	1
18	50*50*120 Rubber Stoper	12	42	Washer for bearing	3
19	$\phi$ 10*90 Pop Pin	1	43	Right Guide Rod	1
20	Foam Grip	1	44	Left Guide Rod	1
21	Foam Grip	2	45	Foot Plate	1
22	Foam Grip	1	46	Foot Plate	1
23	$\phi$ 40* $\phi$ 44*50 Shaft	4	47	Connecting Tube	1
24	$\phi$ 11*140 Shaft	1	48	End Cap	3

