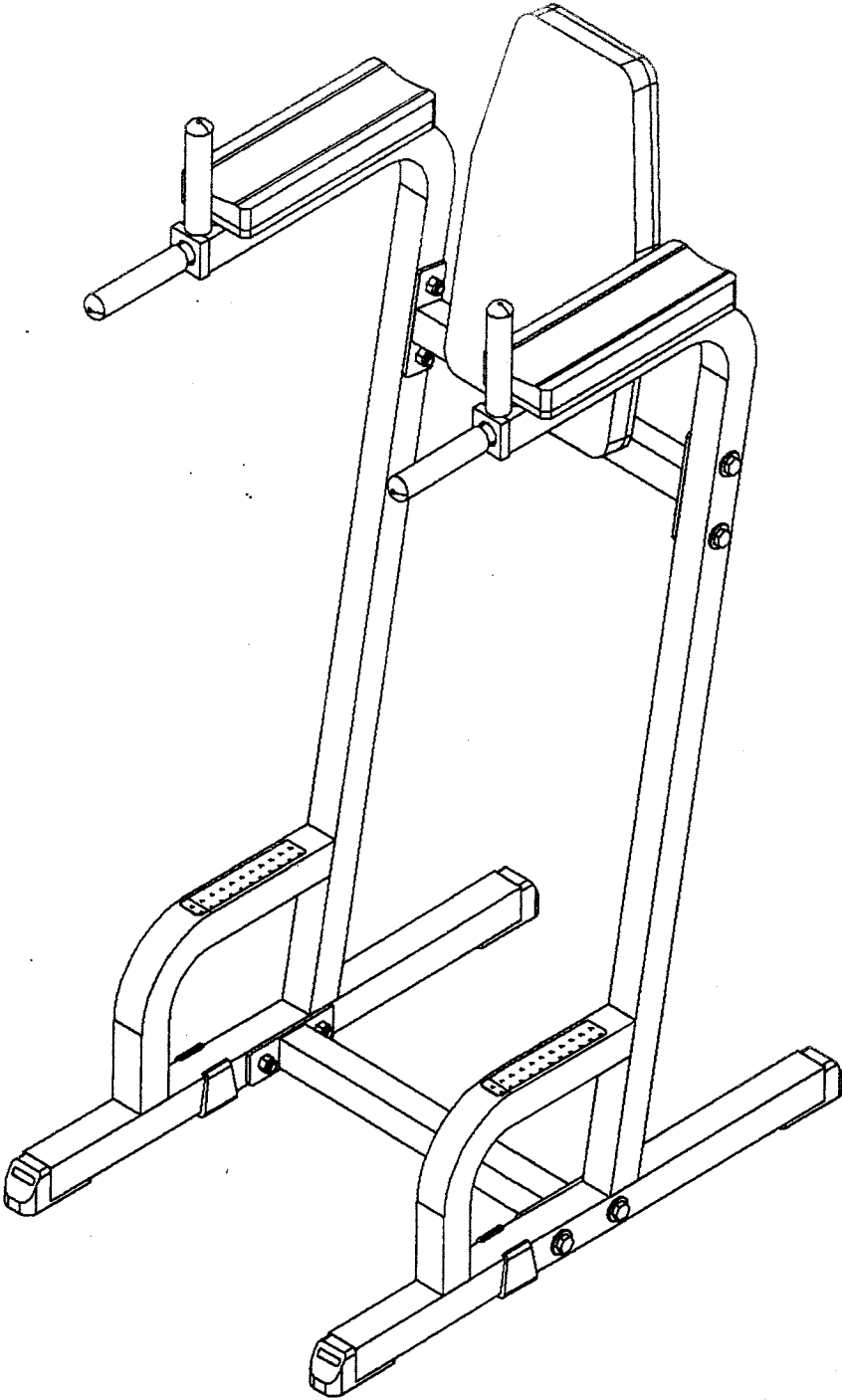


GVKR-60

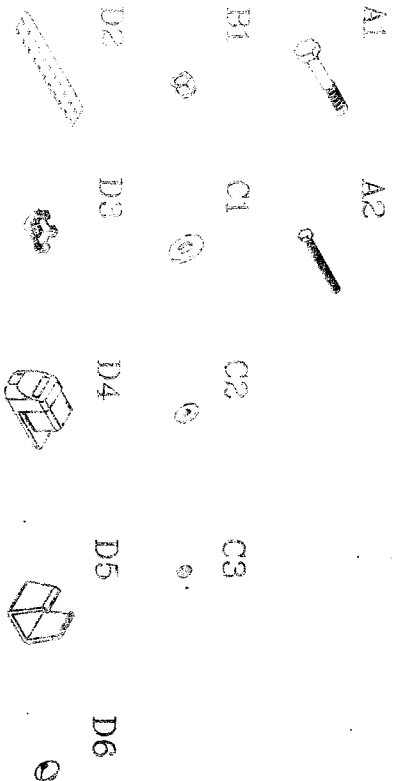


VERSION 0506

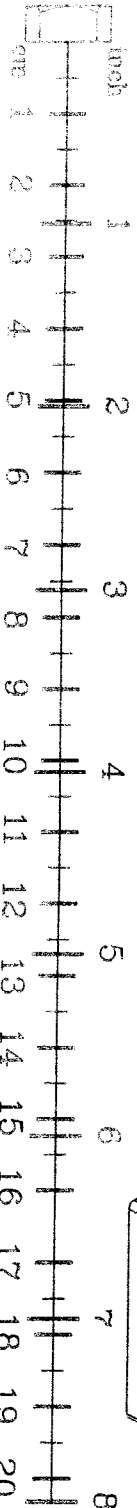
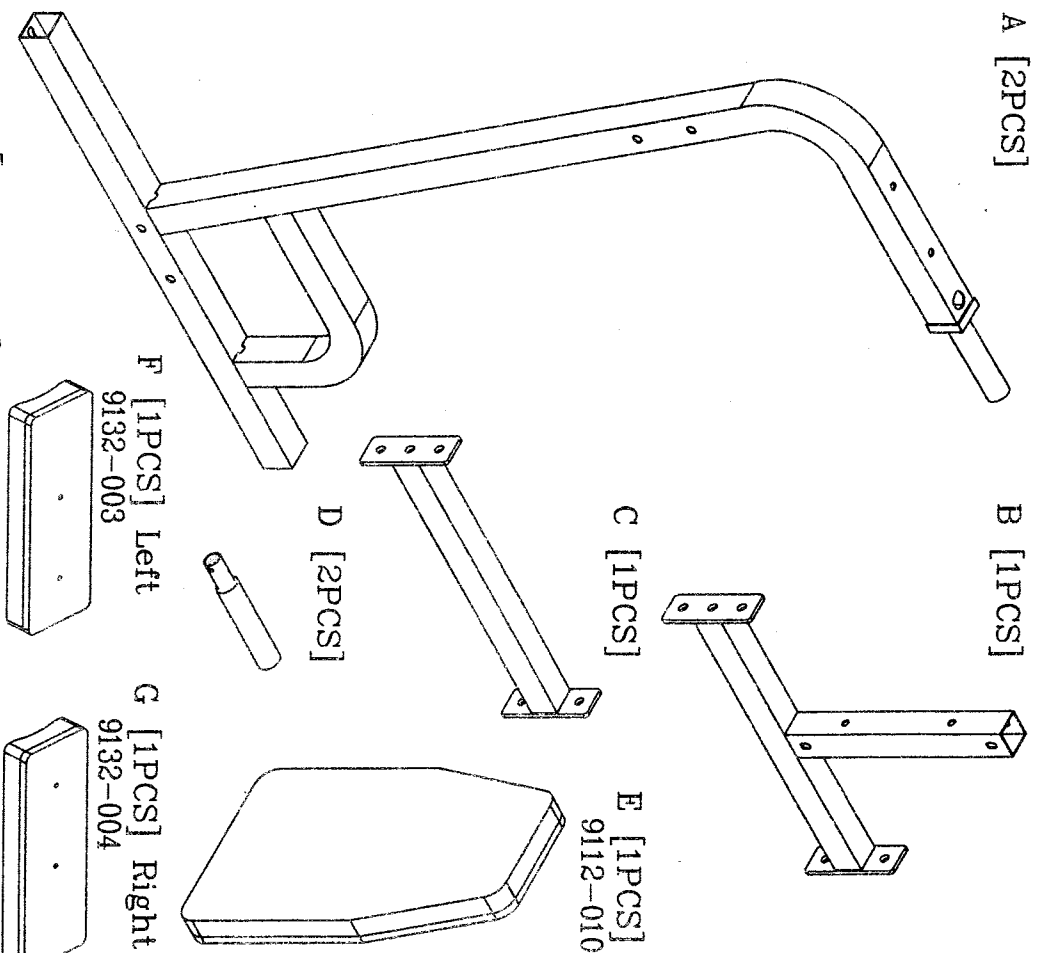
GVKR-60

HARDWARE ILLUSTRATION SHEET

	Qty.
A1. M12X70 HEX HEAD BOLT	[8PCS]
A2. 5/16"X2 3/4" HEX HEAD BOLT	[6PCS]
B1. M12 NYLON LOCK NUT	[8PCS]
C1. M12 (1D) WASHER	[8PCS]
C2. 5/16" (1D) WASHER	[6PCS]
C3. 5/16" SPRING WASHER	[6PCS]
D2. NO SLIP TAPE (9310-030)	[2PCS]
D5. 45X45 FND CAP (9211-091)	[1PCS]
D4. 2"X2" FOOT CAP (9211-024)	[4PCS]
D5. 2"X2" RUBBER DOUNT (9212-010)	[2PCS]
D6. 4" ROUND END CAP (9211-021)	[4PCS]



PARTS ILLUSTRATION SHEET



GVKR-60

