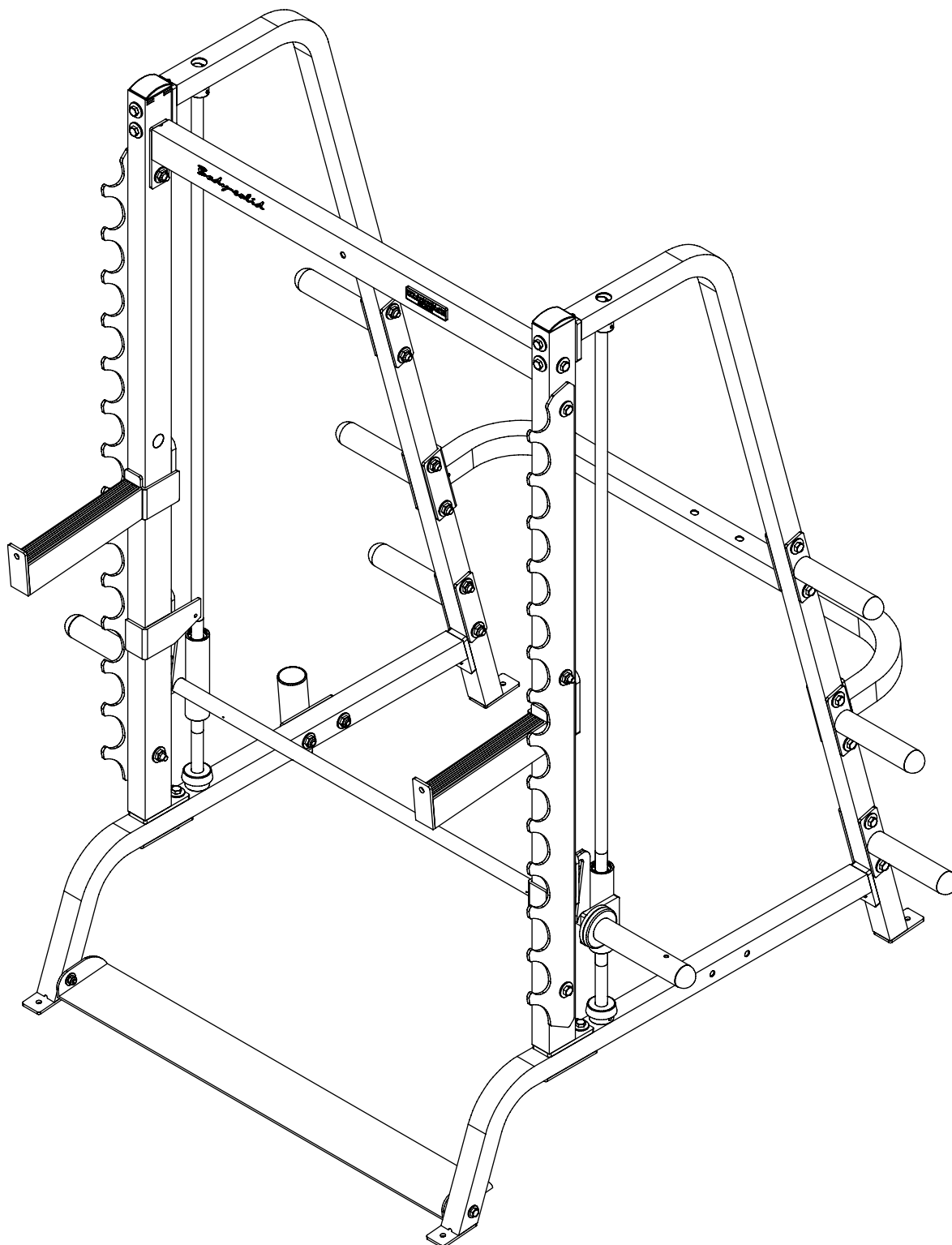


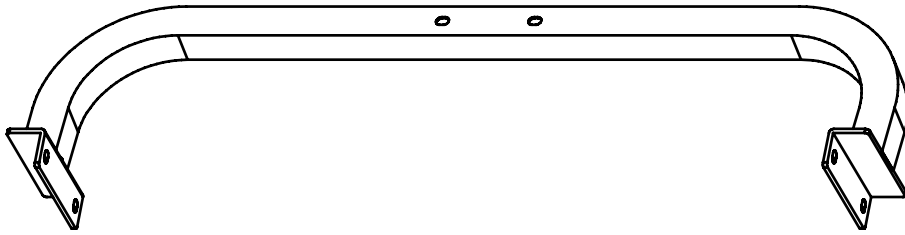
Body-solid



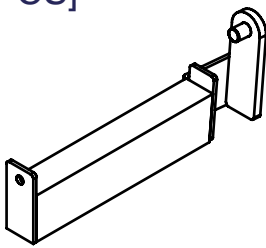
Assembly Instructions
GS-348Q OWNER'S & MANUAL

GS348Q PARTS
(shown in actual size)

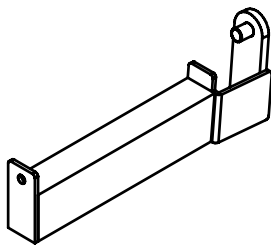
G [1PCS]



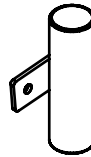
I [1PCS]



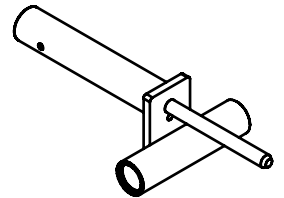
J [1PCS]



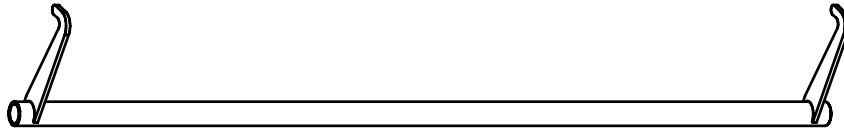
K [1PCS]



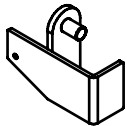
L [2PCS]



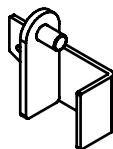
M [1PCS]



N [1PCS]



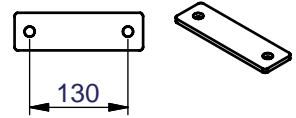
O [1PCS]



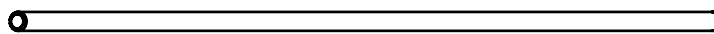
R [2PCS]
8312-062



S [4PCS]
8312-091



P [2PCS]
8280-018



Q [1PCS]
8343-056



T [1PCS]
8343-056

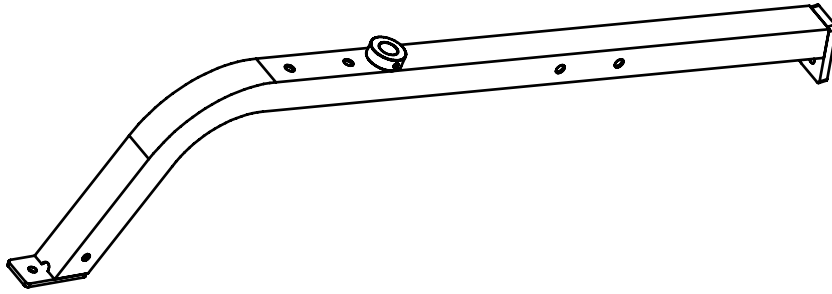


U [1PCS]
8370-030

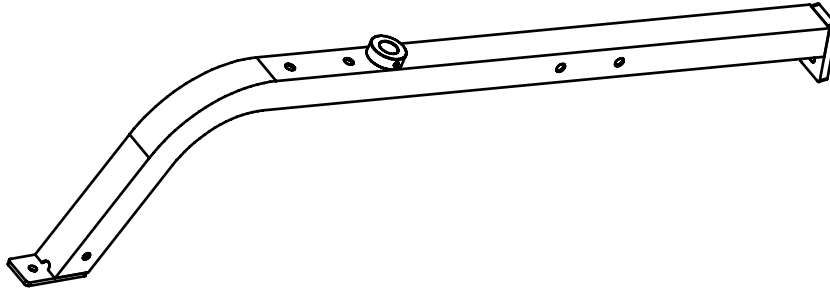


GS348Q PARTS
(shown in actual size)

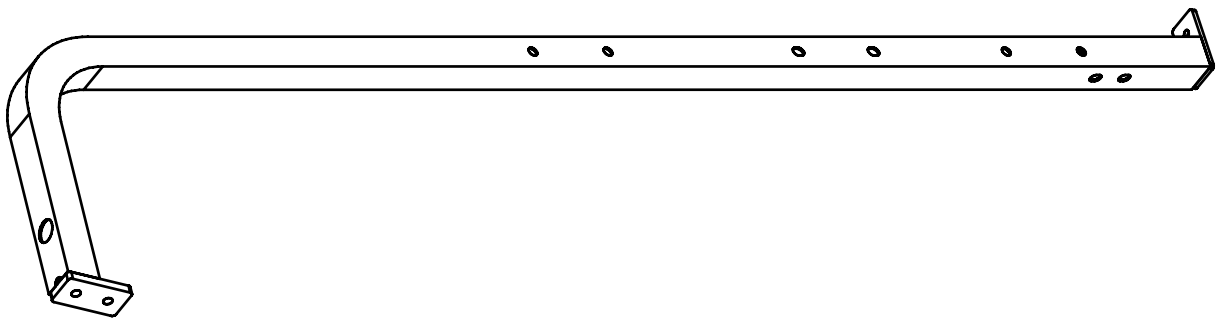
A [1PCS]



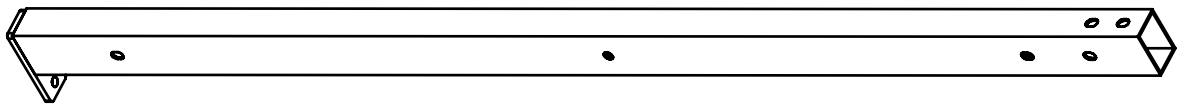
B [1PCS]



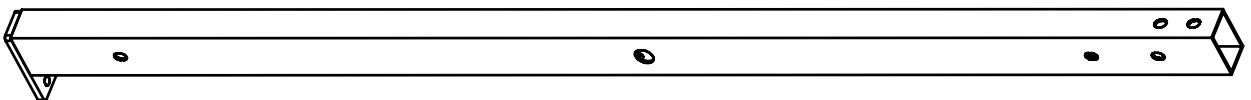
C [2PCS]



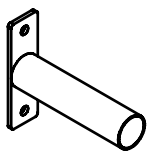
D [1PCS]



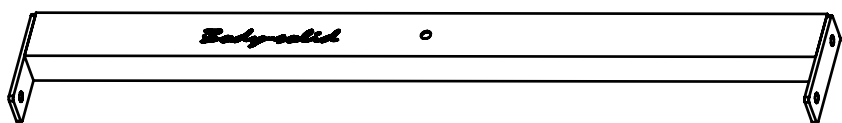
E [1PCS]



F [6PCS]



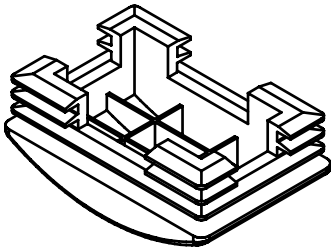
H [1PCS]



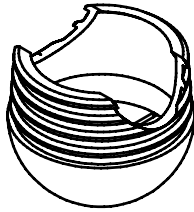
GS348Q HARDWARE
 (shown in actual size)

- D1.50X75 End Cad(9211-084)-----[2PCS]
- D2.∅49.5X Round End Cap(9211-074)-----[8PCS]
- D3.∅1"Shaft Collar(9211-064)-----[2PCS]
- D4.∅2 1/2"X∅26 Rubber Dount(9310-012)-----[2PCS]
- D5.∅90X10t Rubber Dount(9310-016)-----[4PCS]
- D6.38X325 Rubber Bar Catch(9310-042)-----[2PCS]
- D7.45X70 Tape(9440-068)-----[12PCS]
- D8.∅26 Round End Cap(9211-069)-----[2PCS]

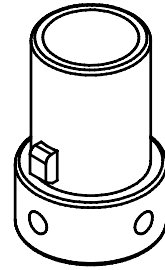
D1



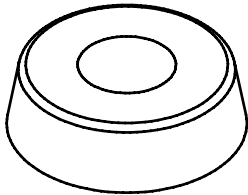
D2



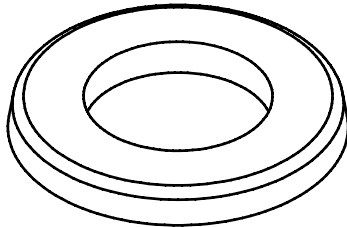
D3



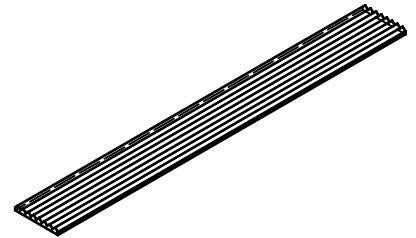
D4



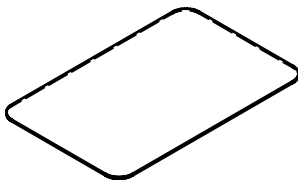
D5



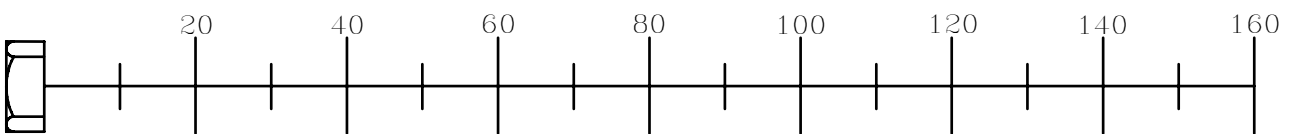
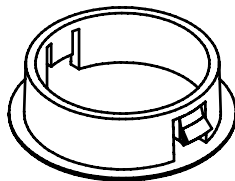
D6



D7

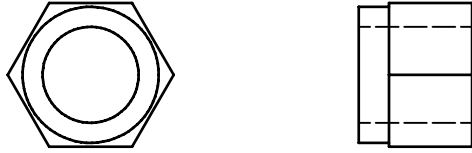


D8



GS348Q HARDWARE
(shown in actual size)

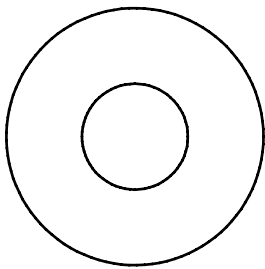
B1.M12 Nylon Lock Nut-----[22PCS]



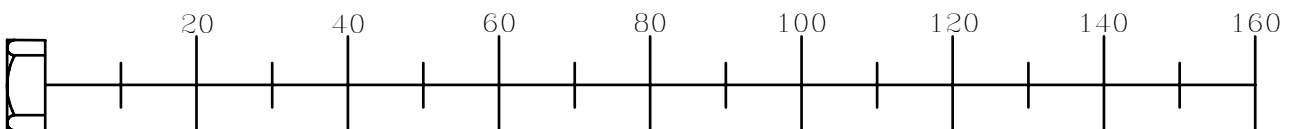
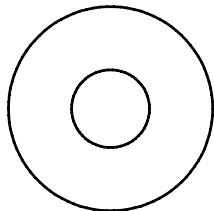
B2.M10 Nylon Lock Nut-----[2PCS]



C1.M12(I.D) WASHER $\phi 34$ -----[60PCS]

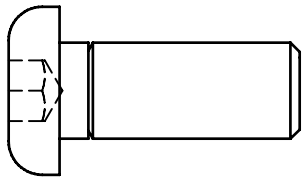


C2.M10(I.D) WASHER $\phi 27$ -----[4PCS]

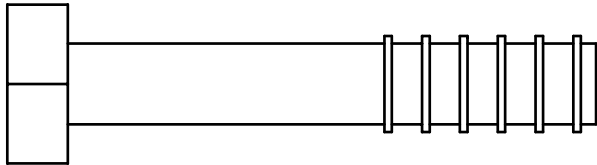


GS348Q HARDWARE
(shown in actual size)

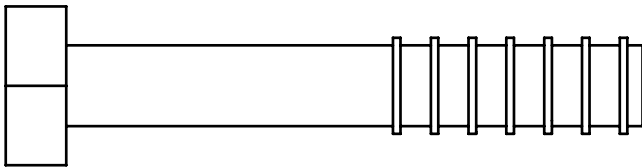
A1. M12X25L Inner Hex Screw-----[2PCS]



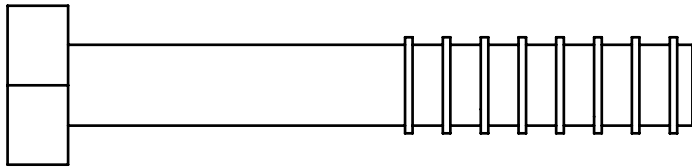
A2. M12X70L Hex Head Bolt-----[6PCS]



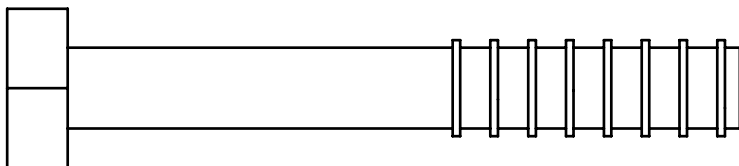
A3. M12X80L Hex Head Bolt-----[16PCS]



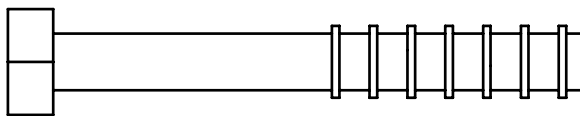
A4. M12X85L Hex Head Bolt-----[4PCS]



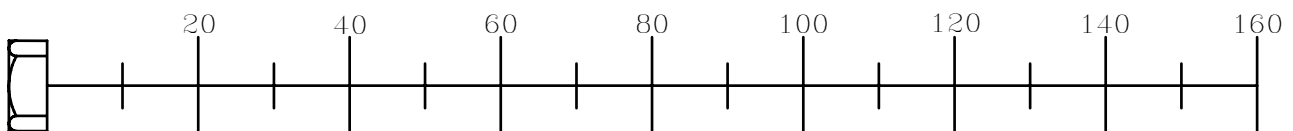
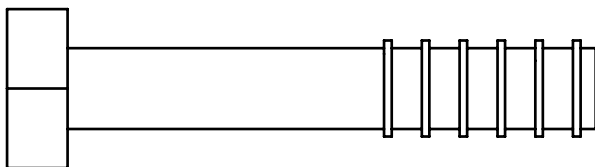
A5. M12X90L Hex Head Bolt-----[4PCS]

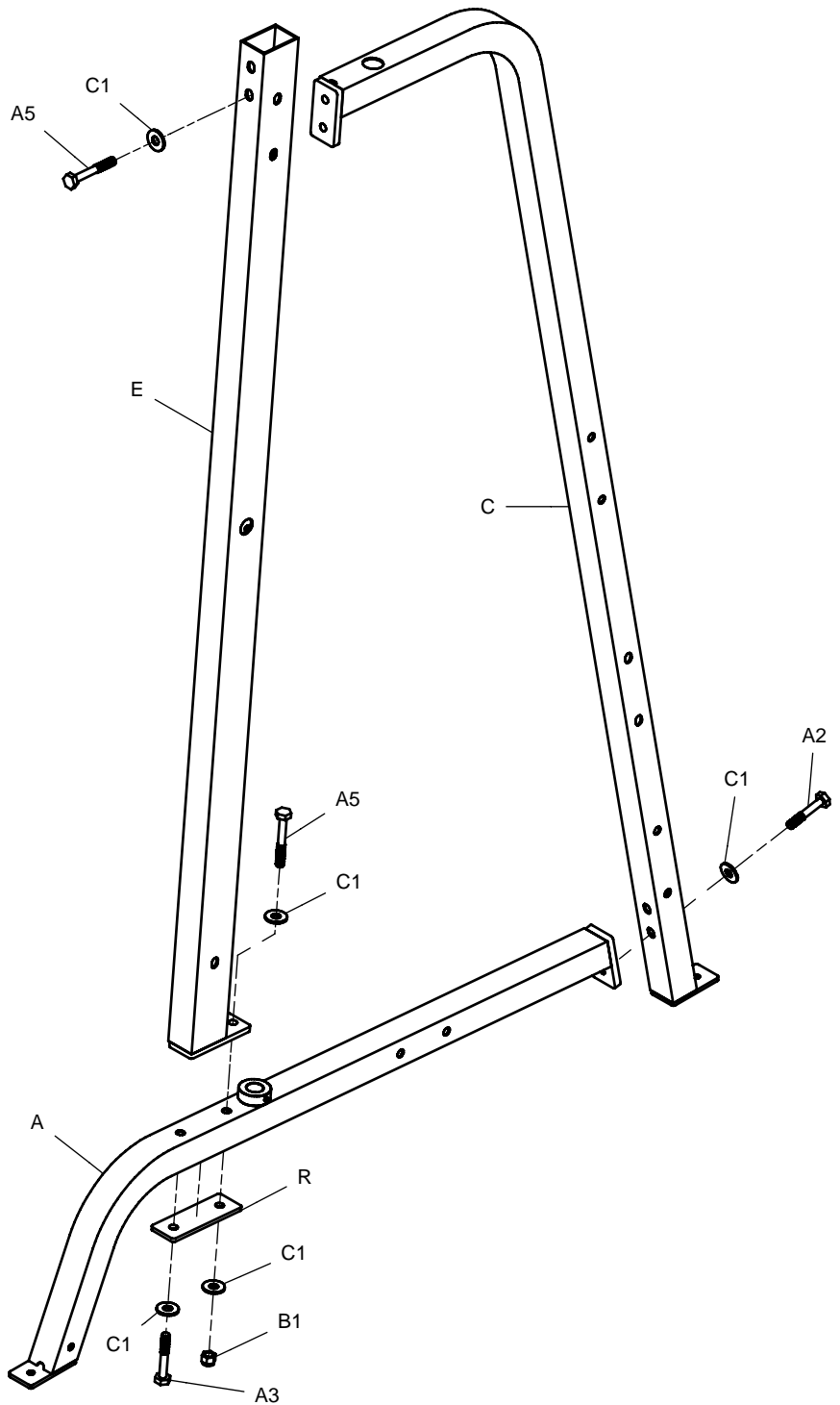
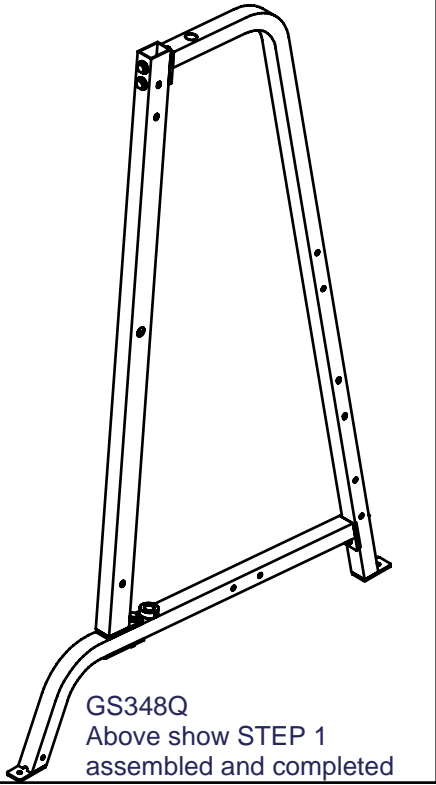


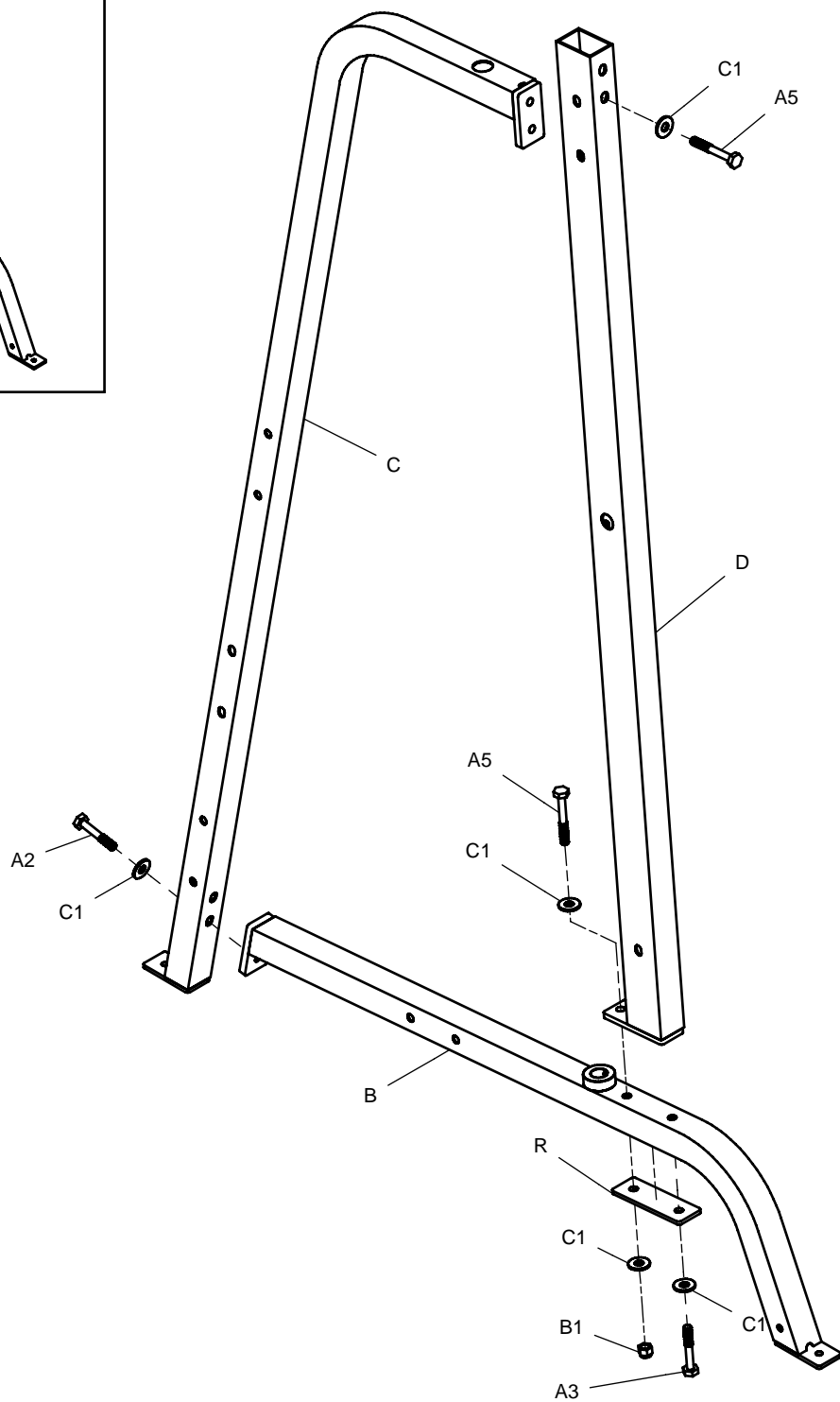
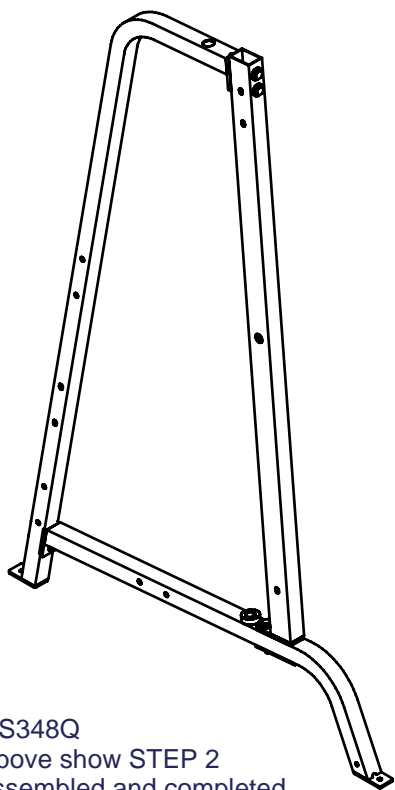
A6. M10X70L Hex Head Bolt-----[2PCS]

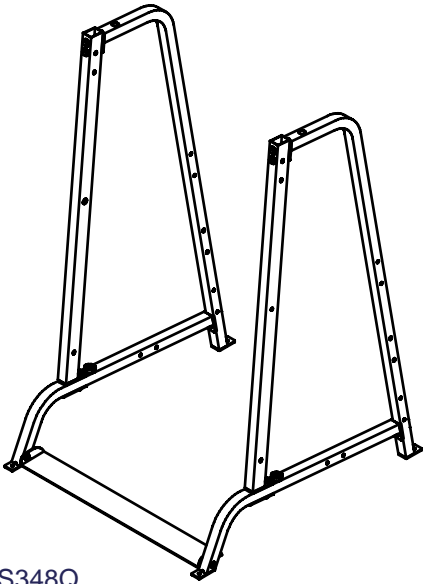


A7. M12X75L Hex Head Bolt-----[2PCS]

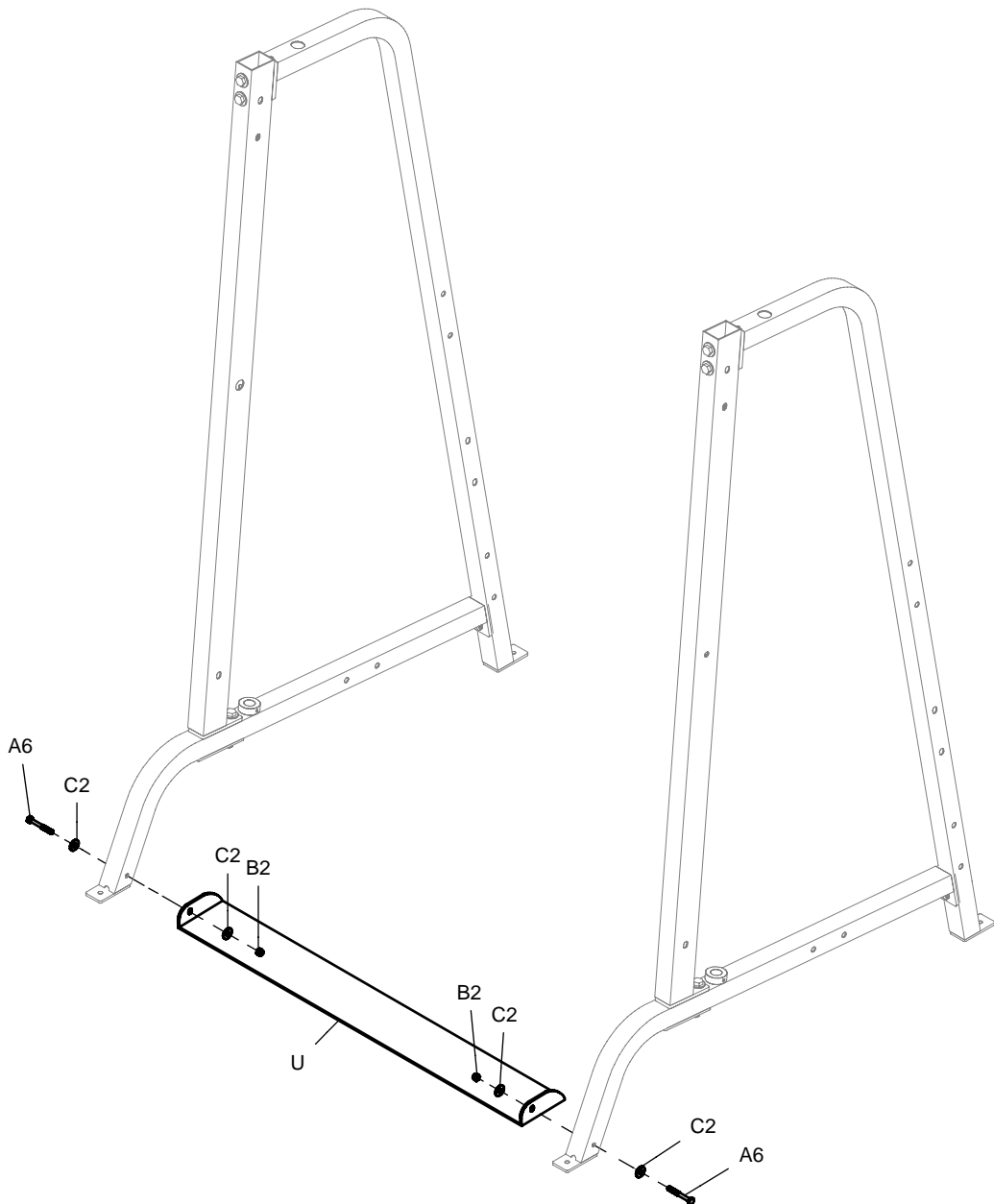


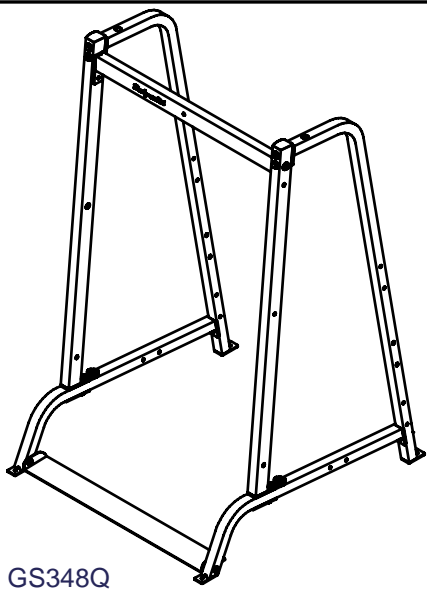




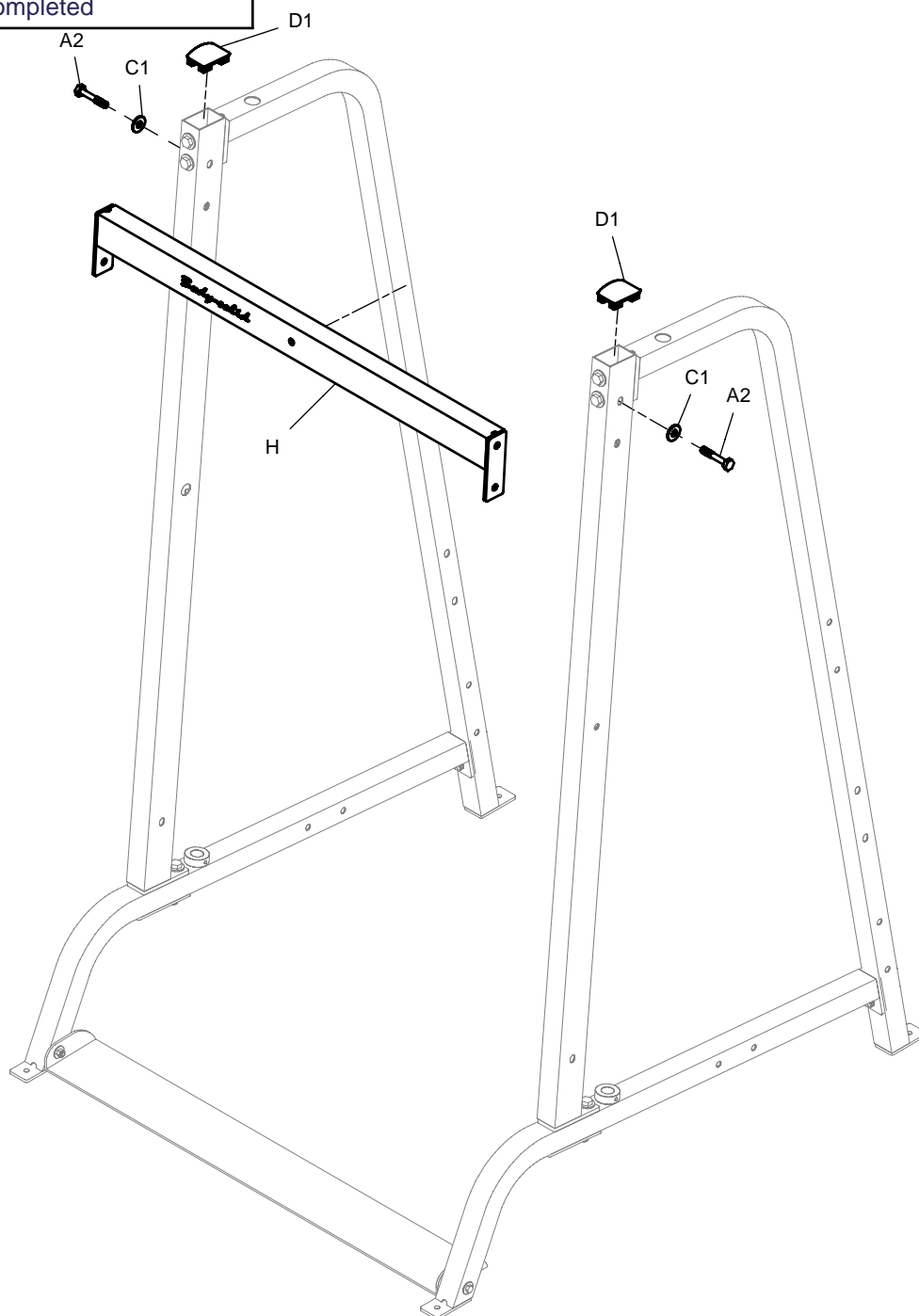


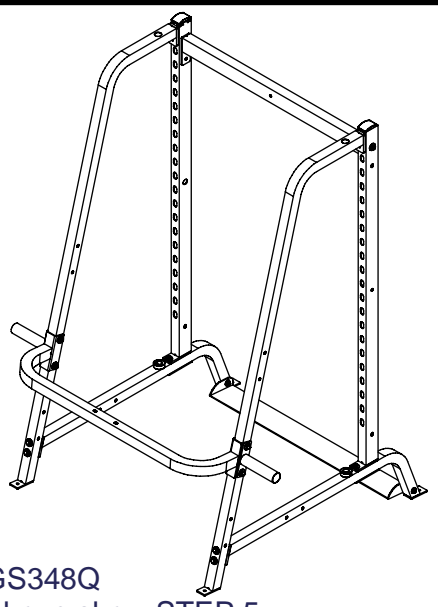
GS348Q
Above show STEP 3
assembled and completed



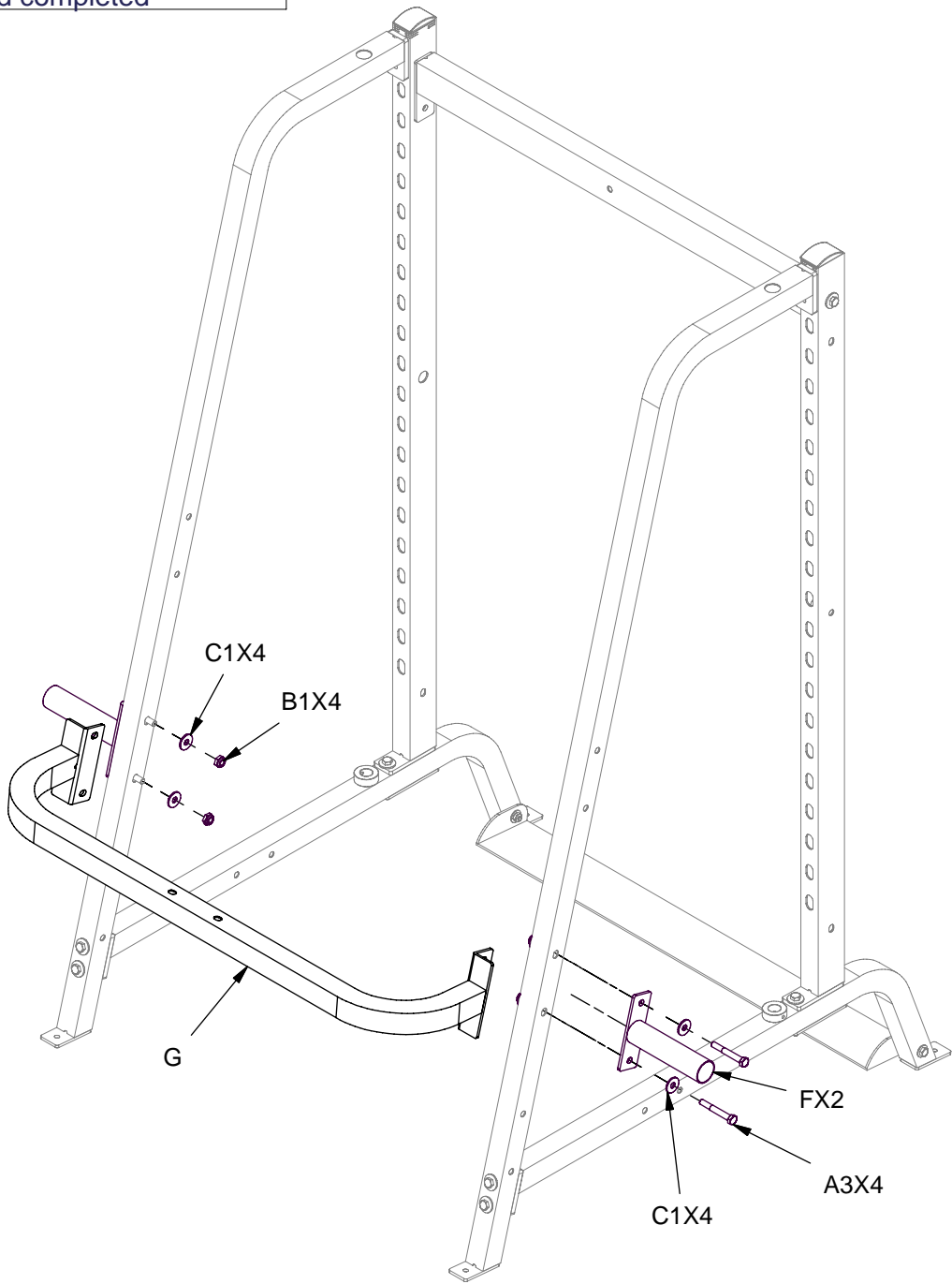


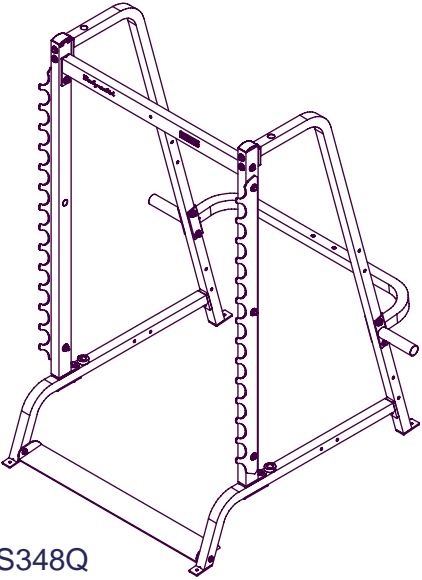
GS348Q
Above show STEP 4
assembled and completed



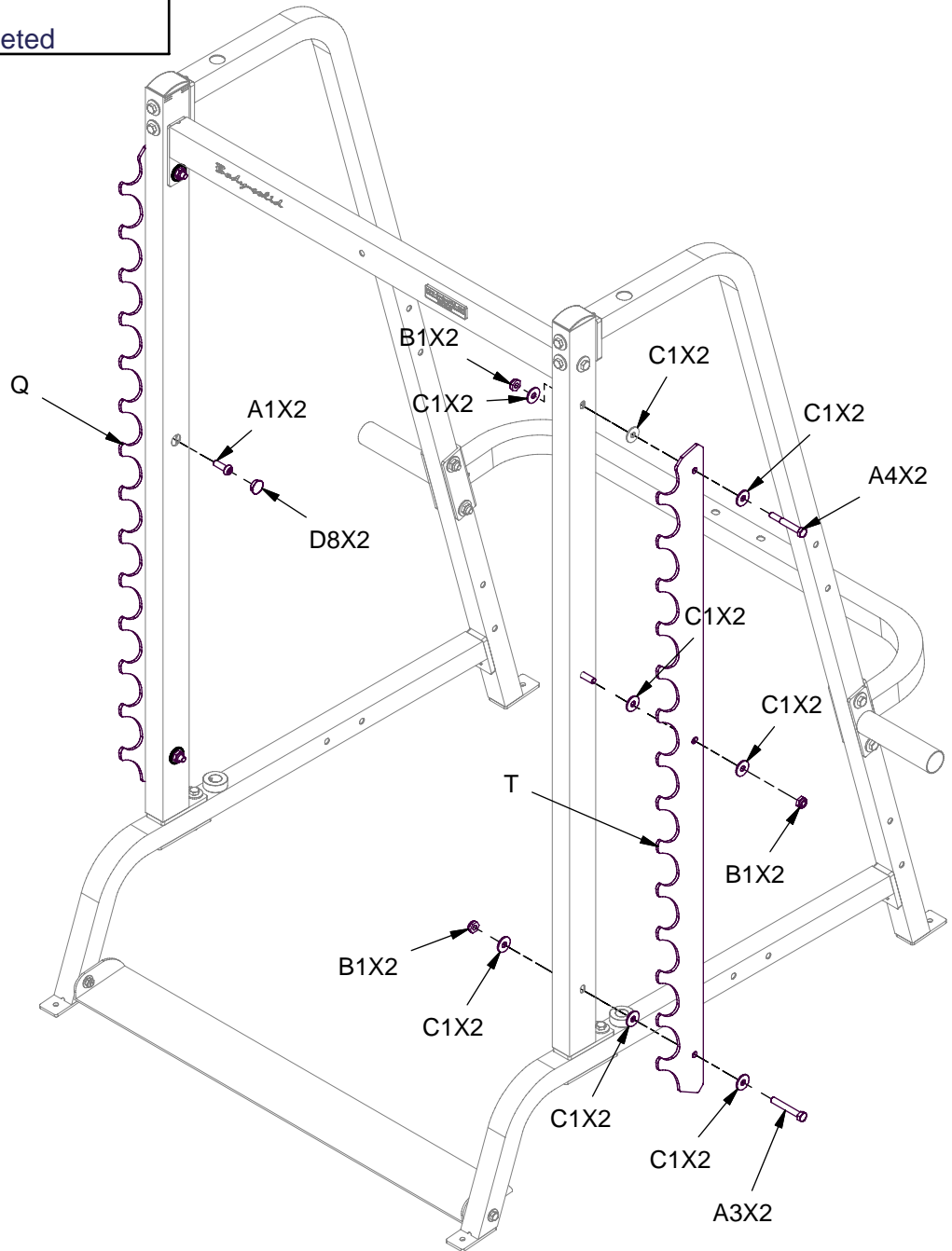


GS348Q
Above show STEP 5
assembled and completed

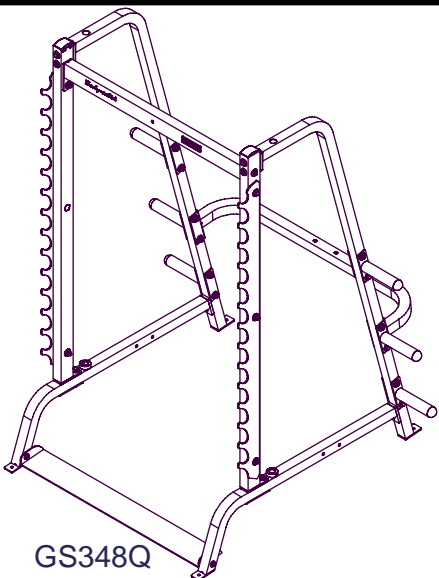




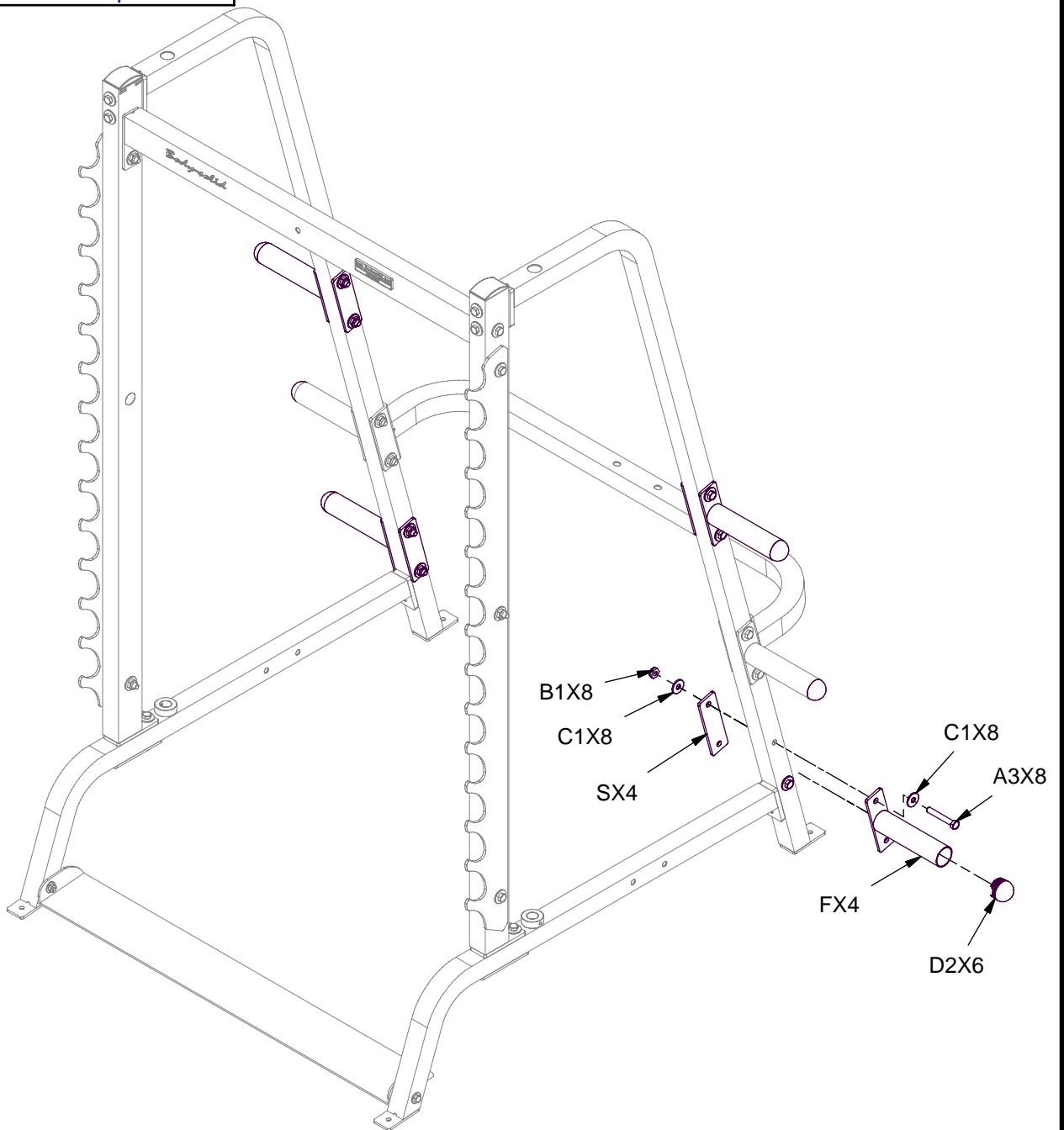
GS348Q
Above show STEP 6
assembled and completed

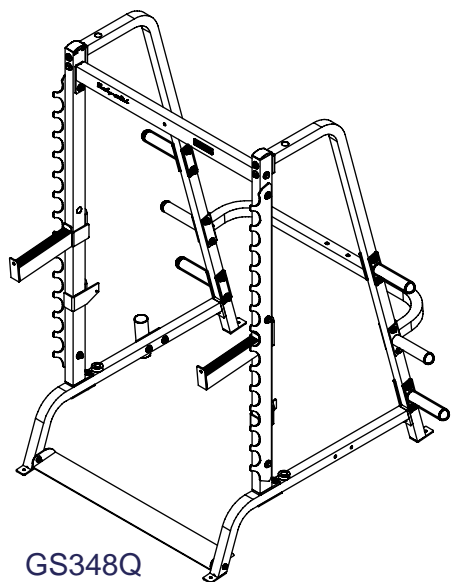


STEP
7

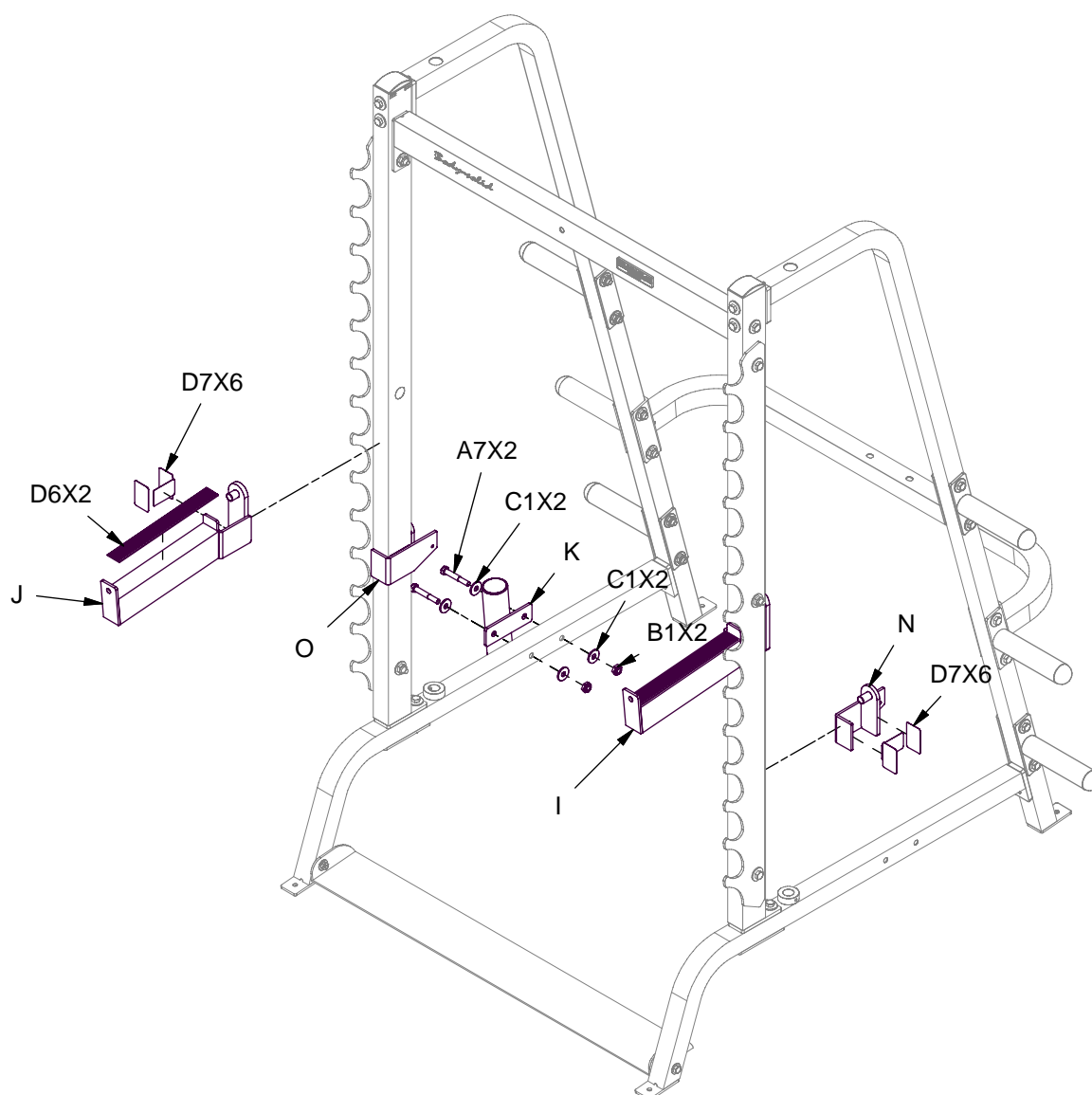


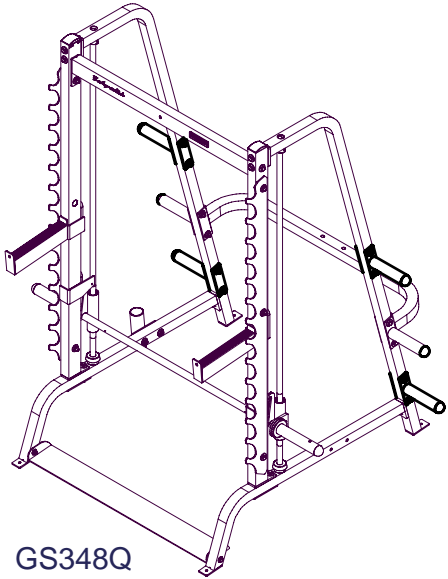
GS348Q
Above show STEP 7
assembled and completed



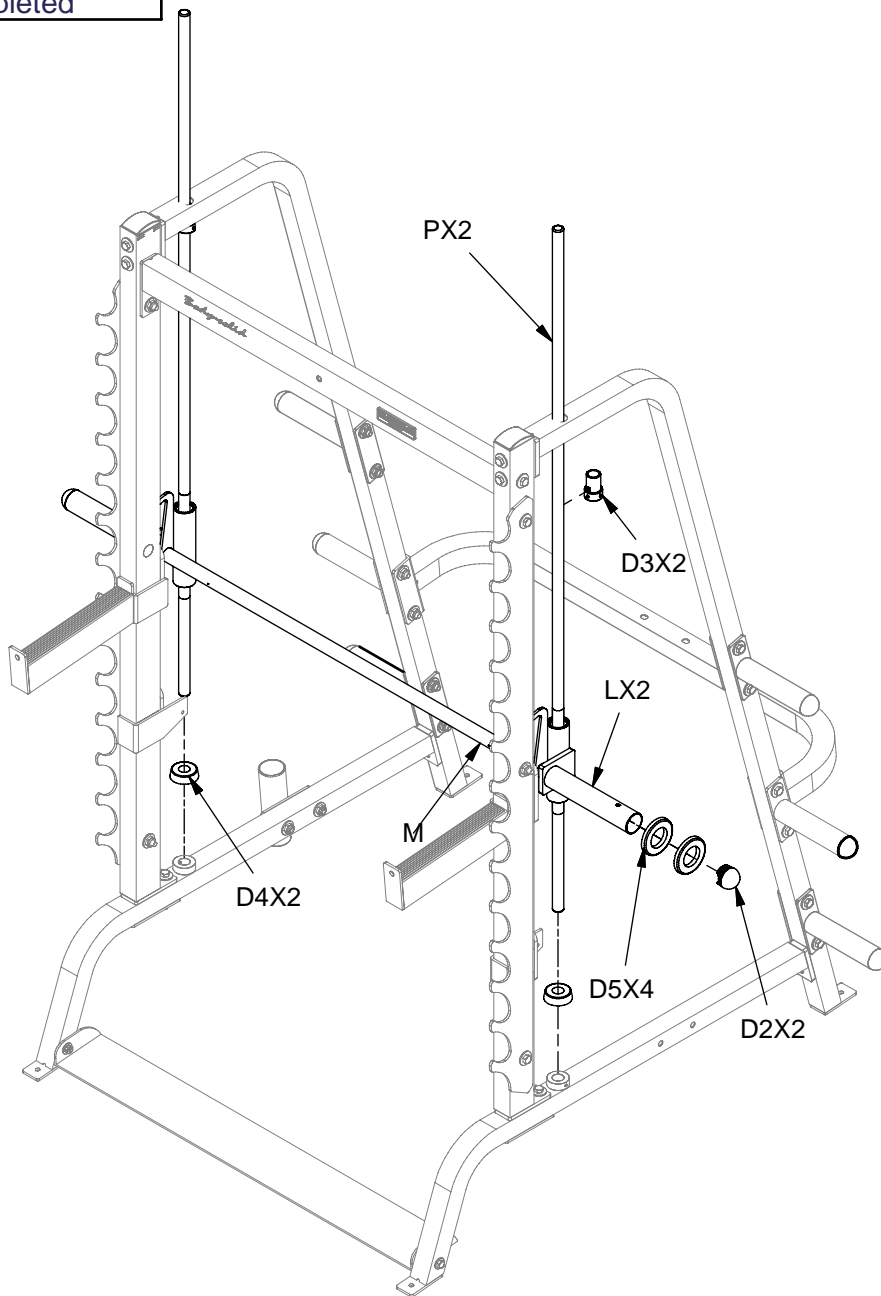


GS348Q
Above show STEP 8
assembled and completed





GS348Q
Above show STEP 9
assembled and completed



EXPLODED VIEW DIAGRAM GS348Q

